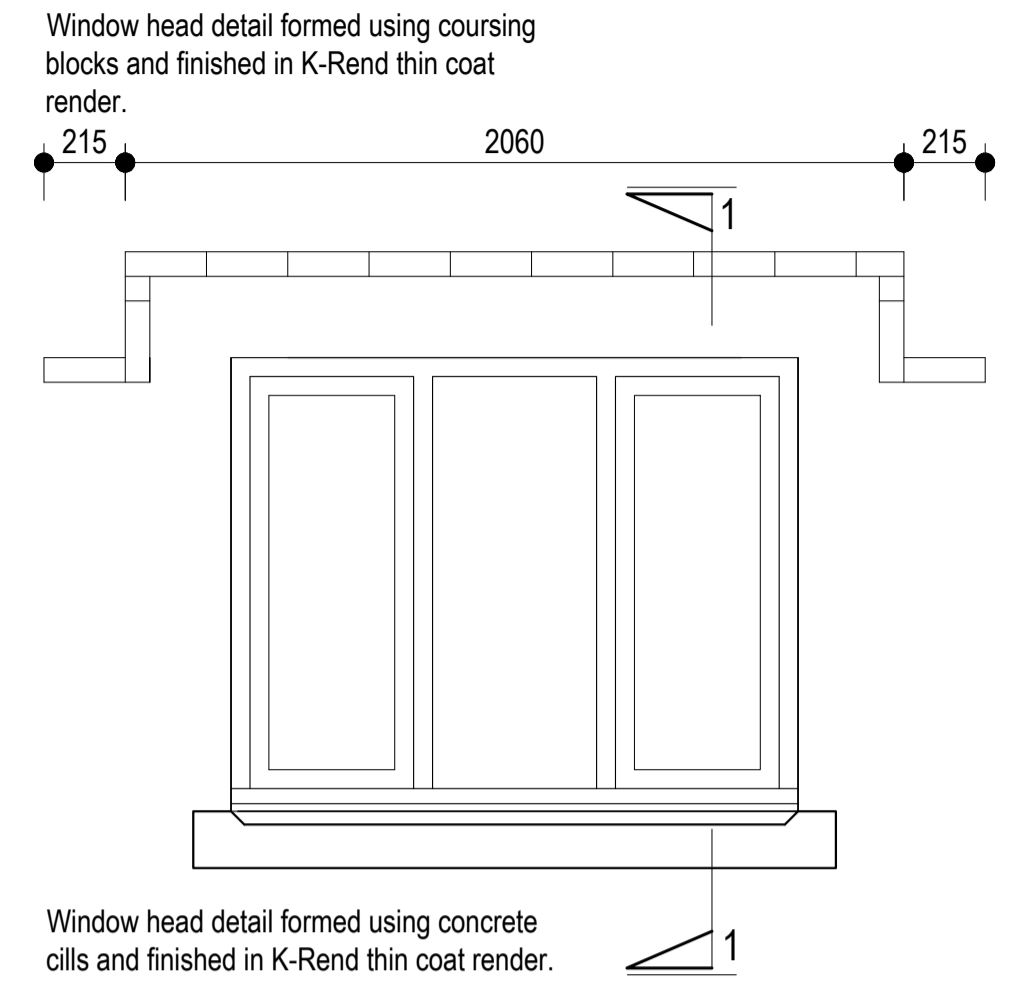
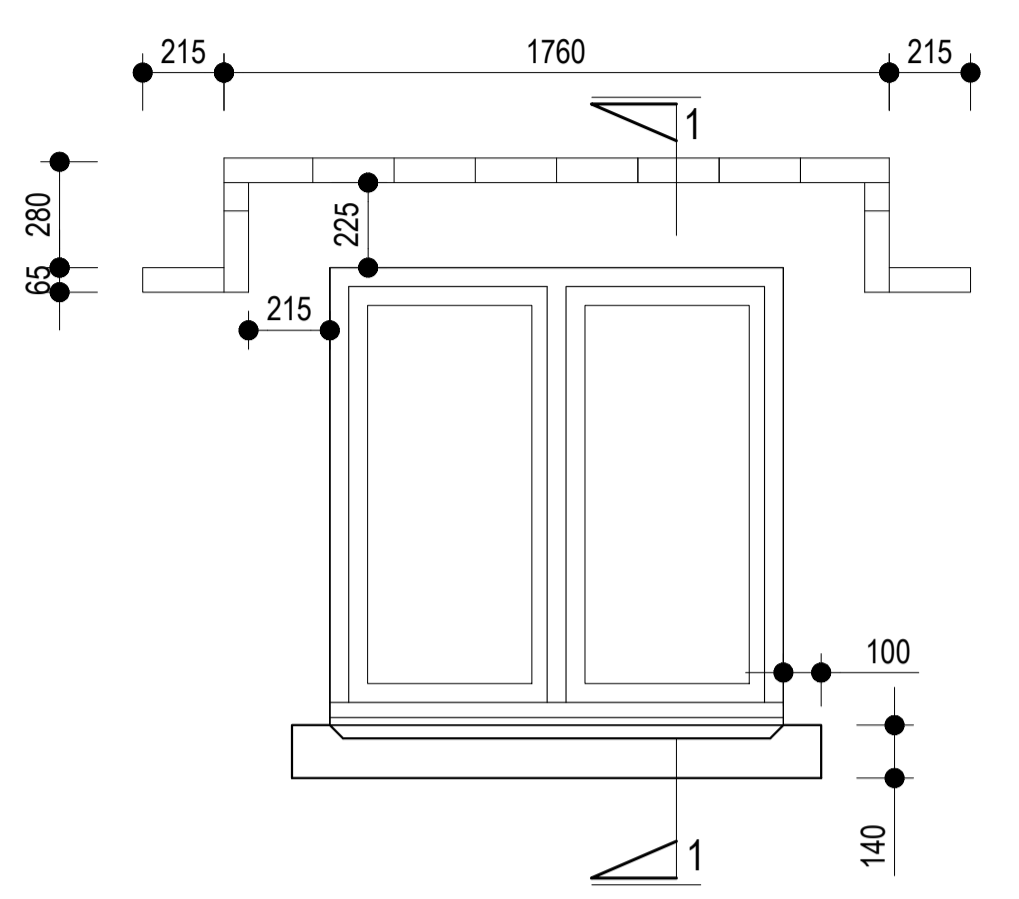


GENERAL NOTES:
 1. This drawing is copyright © and remains the property of KEY architectural design limited.
 2. This drawing is to be read in conjunction with all relevant architectural, structural, mechanical, electrical and specialist drawings / specifications.
 3. Any discrepancies in dimensions or details between the various drawings should be reported immediately.
 4. All dimensions are in millimeters and all levels are in metres.

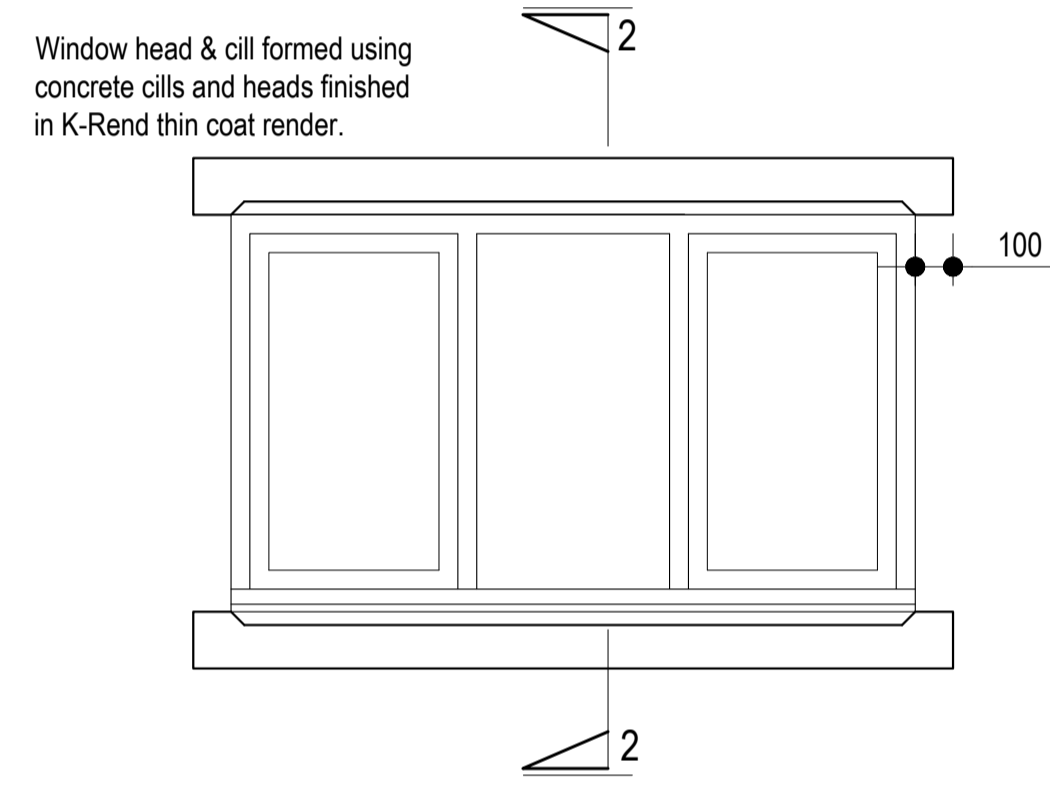
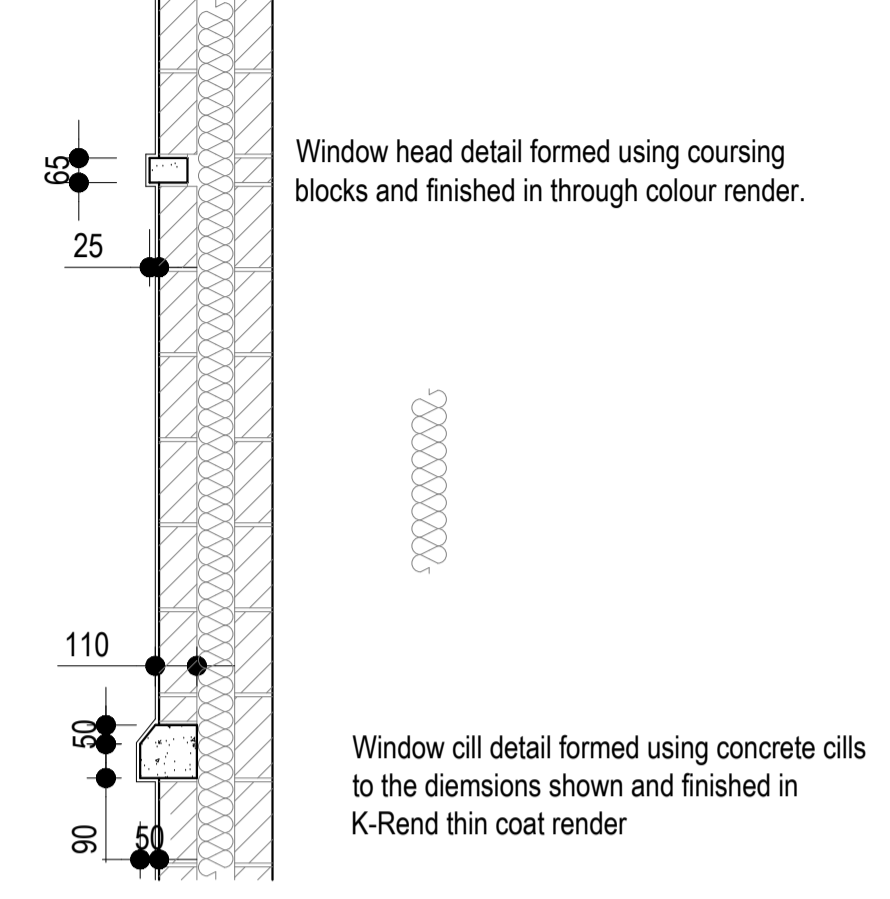
| Rev | Note | Date |
|-----|------|------|
| | | |



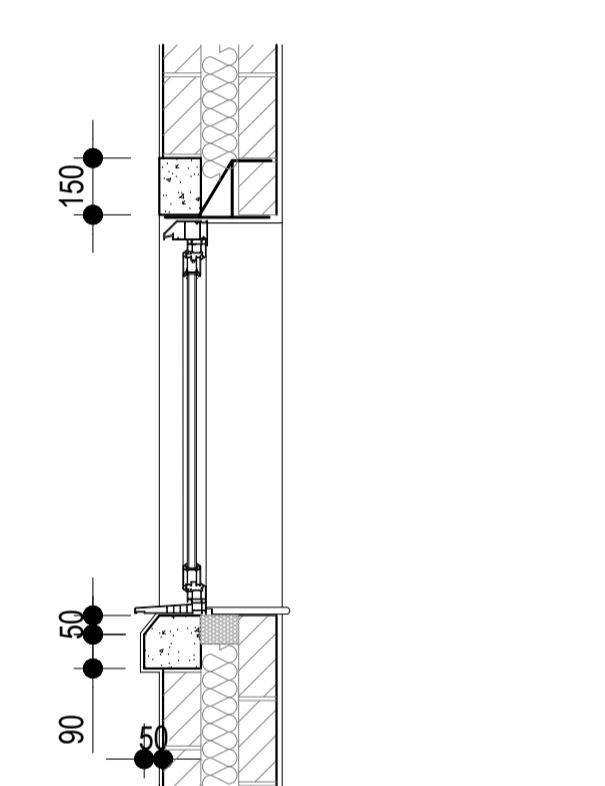
Elevation
 (stone cill rendered brick head)



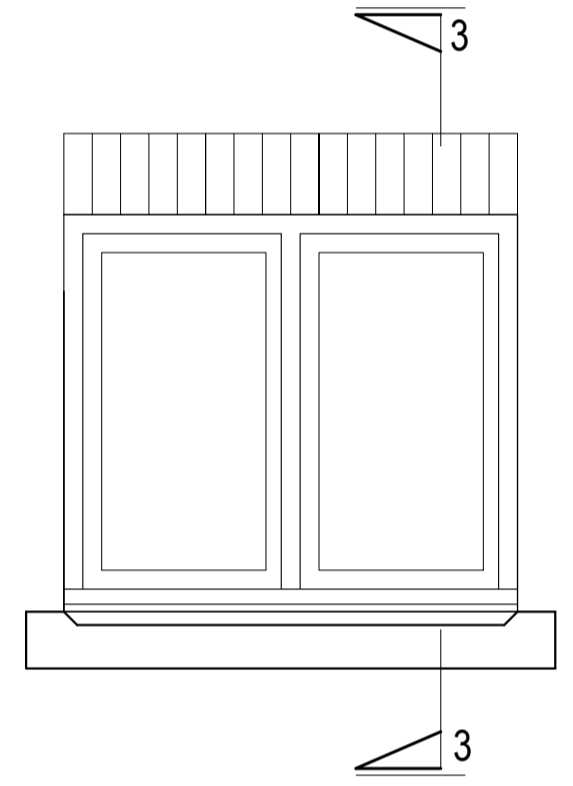
Section 1-1



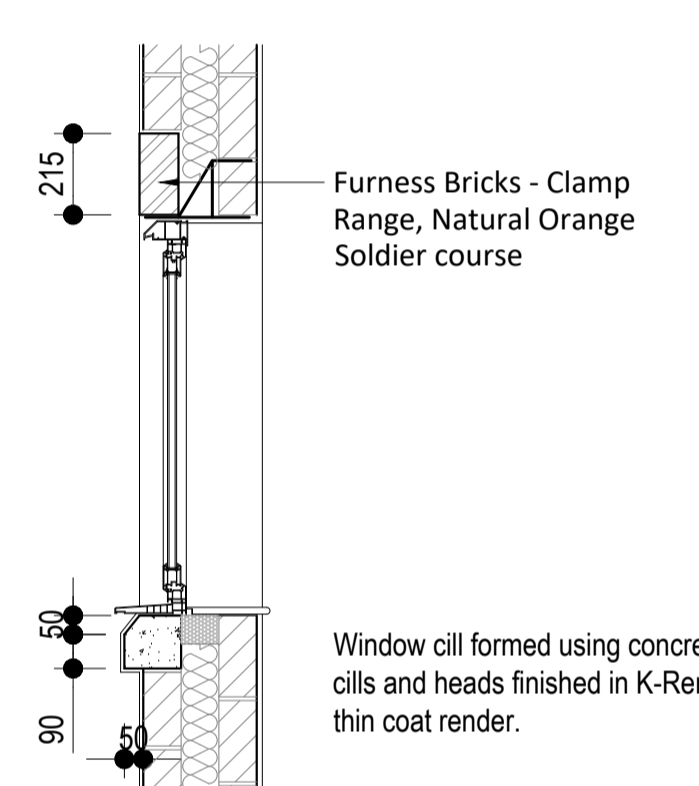
Elevation
 (stone head and cill)



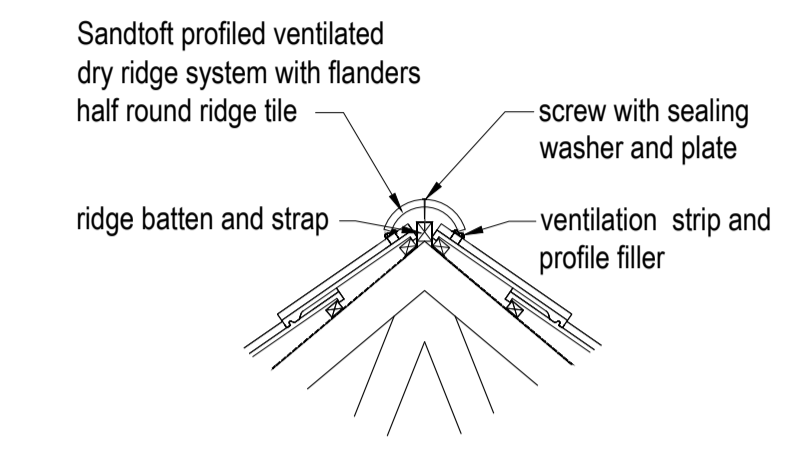
Section 2-2



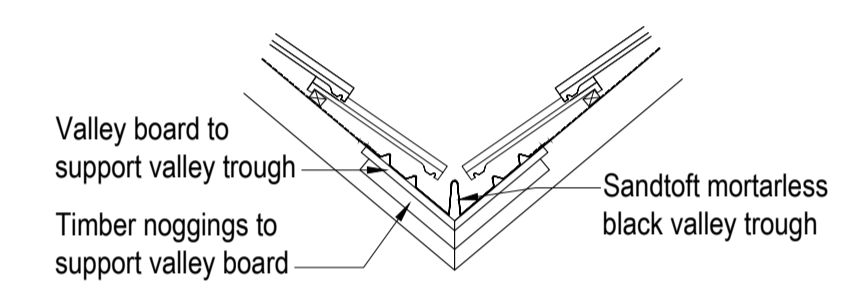
Elevation
 (stone cill brick head)



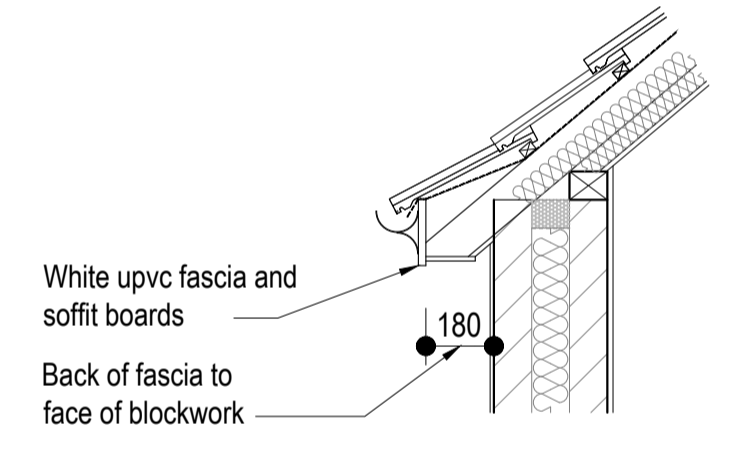
Section 3-3



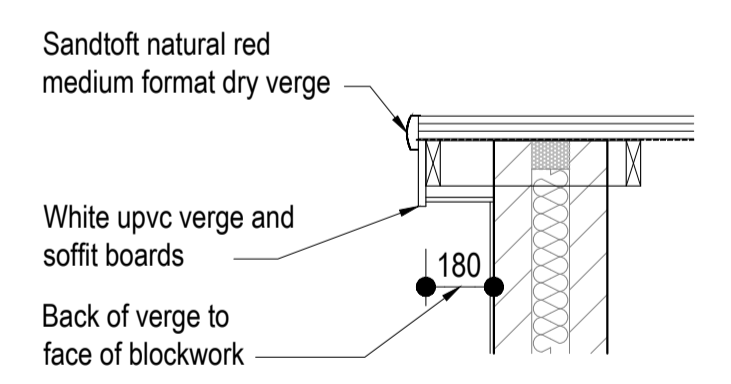
Ridge



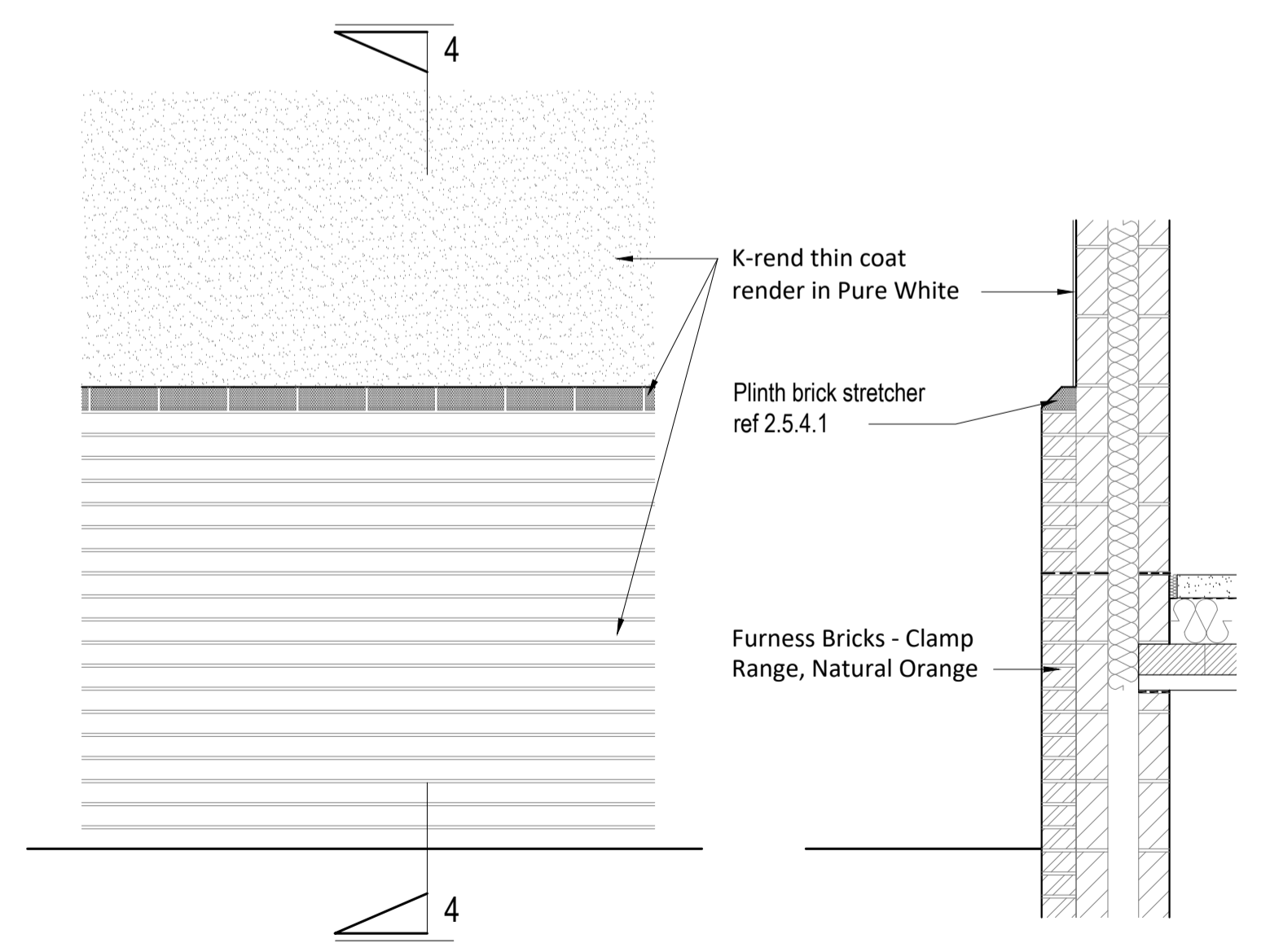
Valley



Eaves



Verge



Elevation
 Plinth Detail

Section 4-4



client
Mr and Mrs Baker
 project
Proposed Replacement Dwelling

at Heath Farm House, Hadnall, Shropshire.
 drawing title
Window head, Cill, brickwork plinth and roof details

| scale | drawn by | project no. | rev |
|------------|------------|-------------|-----|
| 1:20 @A1 | DKT | 19-131 | - |
| date | checked by | drawn no. | |
| 09.08.2021 | DKT | PC01 | |