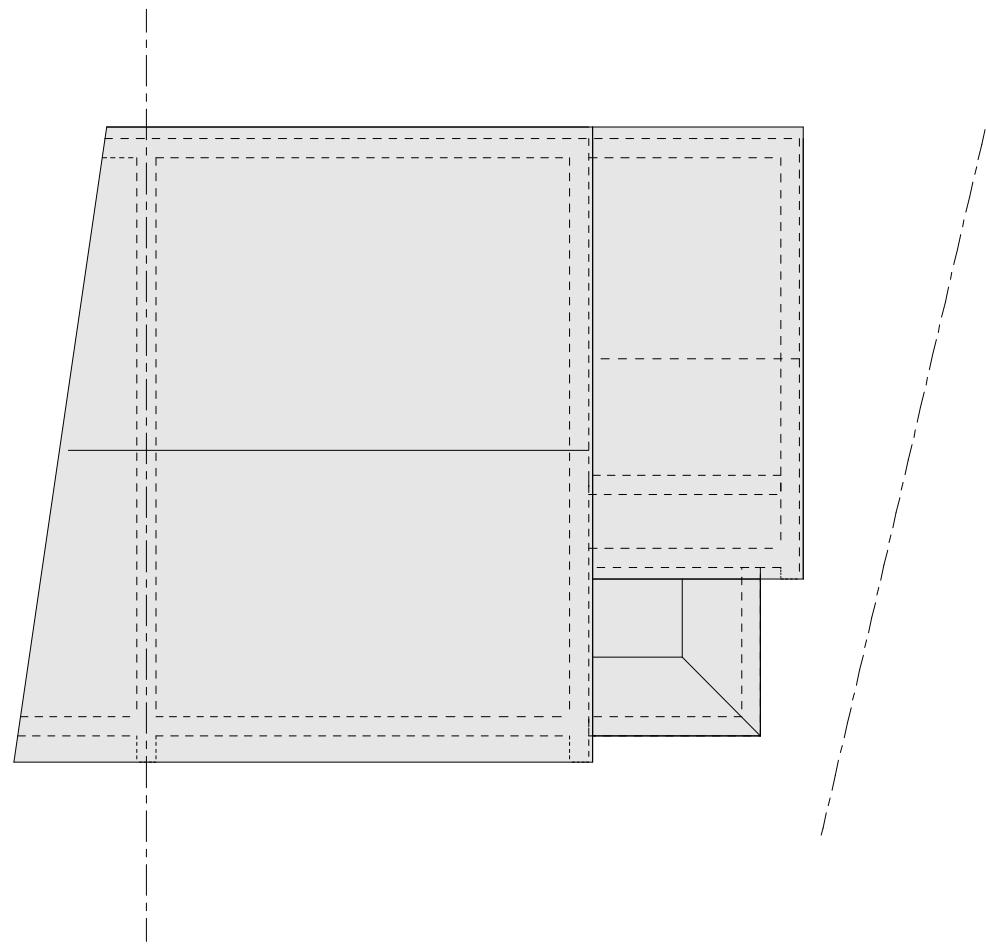



EXISTING ROOF PLAN



PROPOSED ROOF PLAN



<p>SINGLE STOREY EXTENSION TO FRONT 14, ST JOHN'S ROAD SIDCUP, KENT DA14 4HB</p>		<p>For MRS. D. PIKE</p>
	<p>SCALE 1:100</p>	
	<p>DATE MAY 2021</p>	
	<p>DRG.No DH21/112/03</p>	<p>REV. A</p>