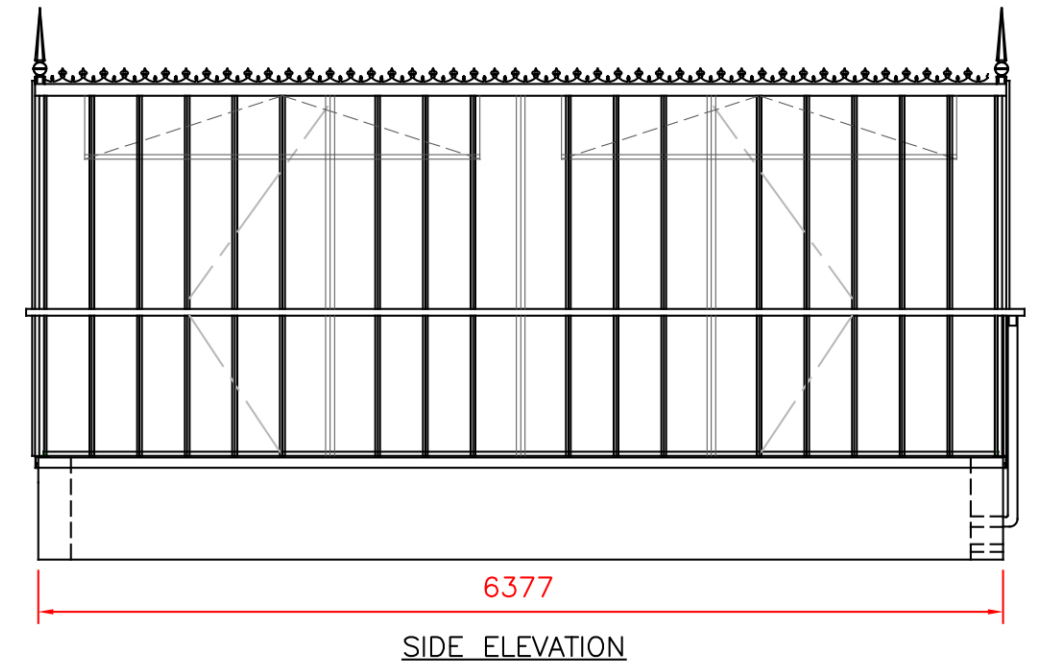
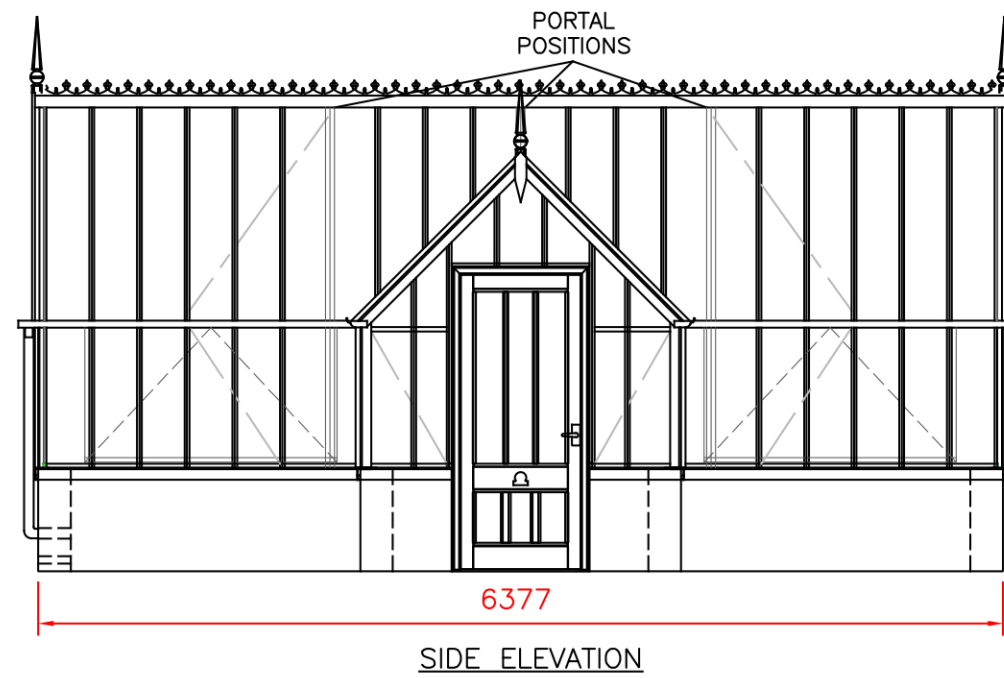
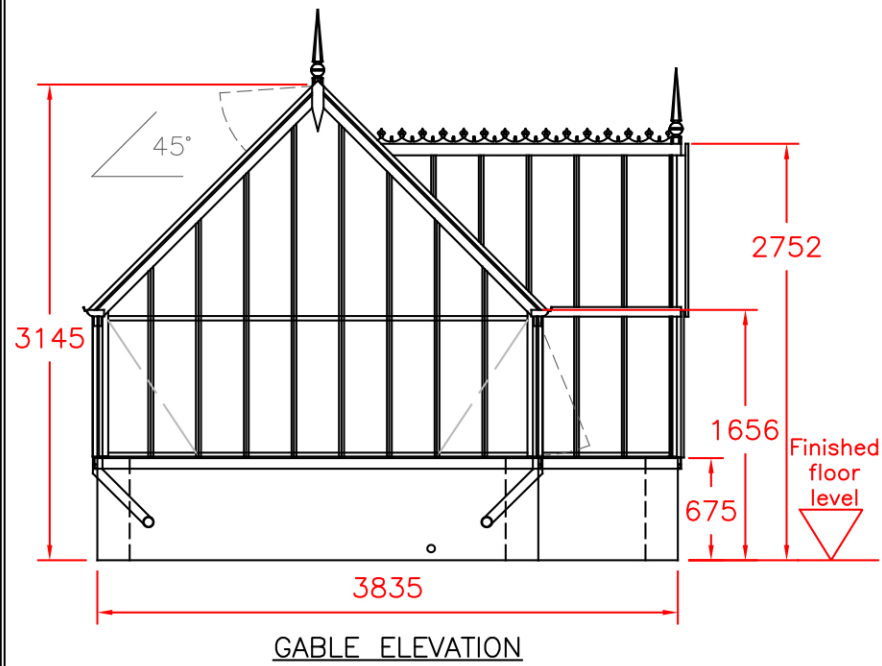
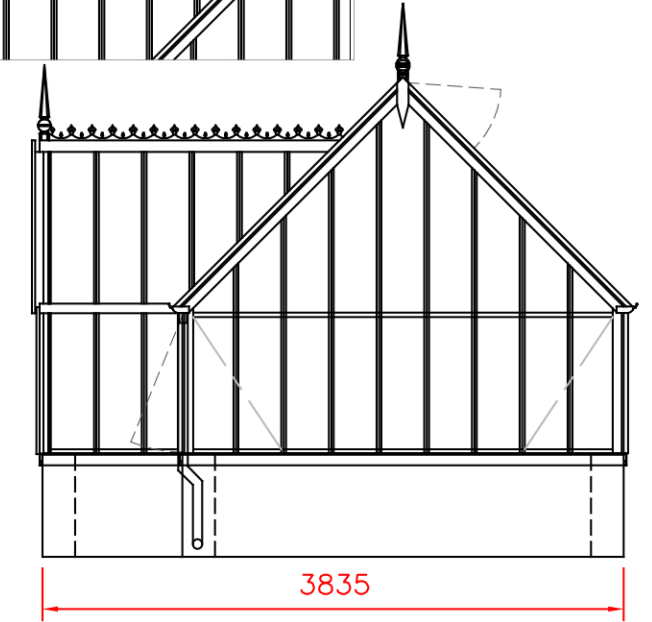
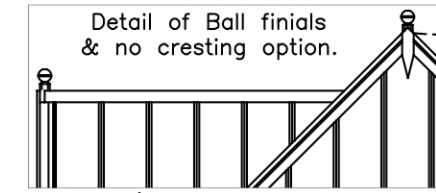
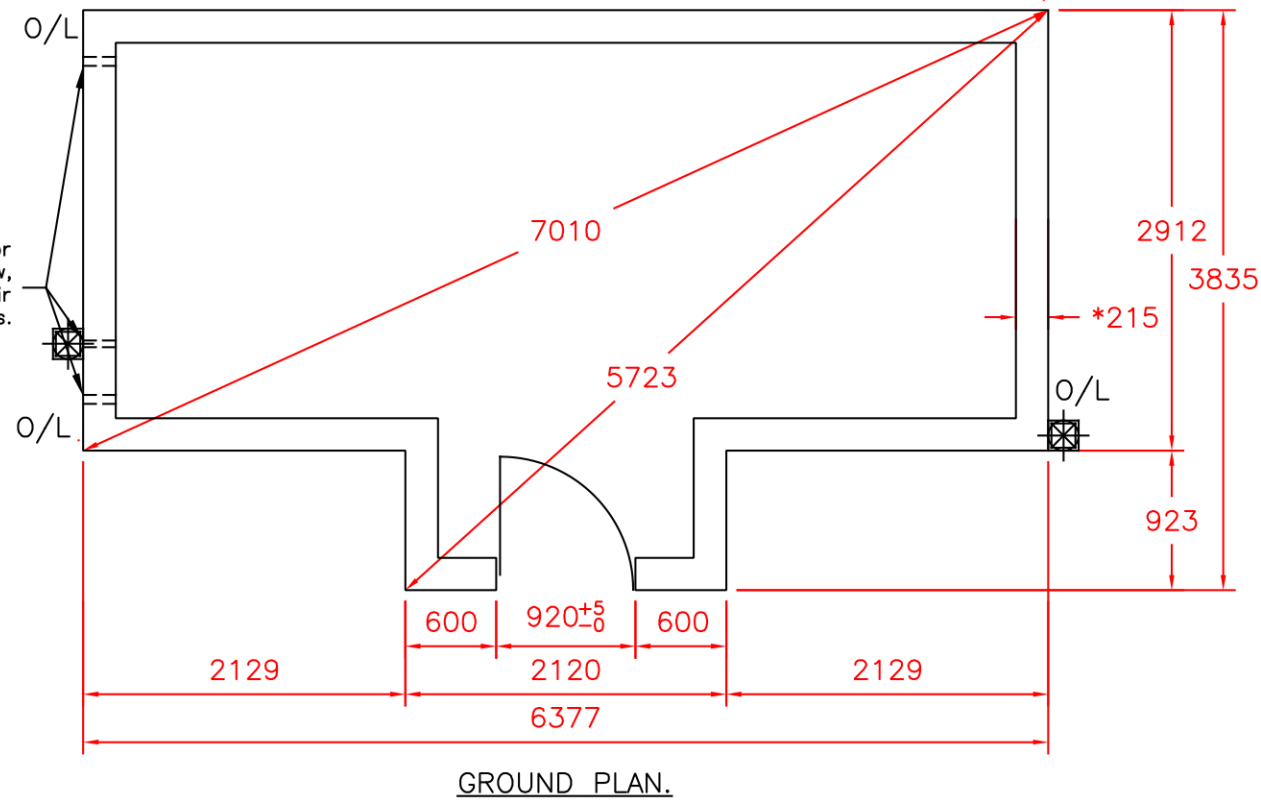


# PROPOSAL ONLY

DO NOT BUILD TO THIS PLAN,  
SPECIFICATION STILL TO BE CONFIRMED

- The Torberry National Trust Greenhouse Range features:
1. Glass:
    - 4mm thick clear, toughened safety glass.
  2. Door:
    - Opening in & Hinged on the left. Brass furniture and National Trust omega door badge fitted as standard.
  3. Finish: Polyester powder coating.
    - Frame colour - As stated on customer order form.
    - Bench & Cold Frame colour - As stated on customer order form.
  4. Materials: Aluminium extrusions with stainless steel fixings.
  5. Frame: Alitex Traditional suite of extrusions, which includes the "Heavy Bar" portal frames & cast aluminium spandrel brackets.
  6. Shades: - Optional.
    - Either 1 pair of tapered shades on the lobby side or rectangular shades under the roof vents.
  7. Other fittings: All other fittings are available at additional cost.
  8. Downpipes: If no reservoir is specified downpipes to be taken to ground with shoes.
  9. Ridge decorations:
    - Finials and Fleur-de-Lys cresting fitted as standard. Ball finial option is available.
  10. Ventilator actuation:
    - Roof vents are automatically operated (Bayliss passive system).
    - Side vents are manually operated.
  11. Pre-drilled holes in the gable verticals and roof spans for high level shelving (shelving is available at extra cost).

Holes by builder for downpipe & overflow, see reservoir installation notes.



O/L = GUTTER OUT-LET  
DIMENSIONS IN MILLIMETRES  
PLEASE SEE ATTACHED BUILDING NOTES.  
TOLERANCE: + OR - 5mm, EXCEPT AT DOORWAY.  
\* 215mm - Nominal dimension, wall should be Solid with header course.  
\* 102mm - Nominal dimension, single course wall Cold frames & Internal Planters Only.

The dimensions shown on this drawing are those of the required brick base. As our structures are manufactured to accommodate these dimensions the completed base MUST correspond exactly (by steel tape measure) to the measurements on this drawing. If the brick base is incorrect in any way, the expense of alterations and delays in installation etc., are the responsibility of the builder and/or the customer.



 GREENHOUSES AND CONSERVATORIES		TITLE		
		NATIONAL TRUST GREENHOUSES THE WIMPOLE (Greenhouse proposal drawing)		
DRAWN GF	DATE 03.02.14	SCALE 1:50 @ A3	DWG NO. Wimpole Proposal 1 of 3	REV -
CHECKED	CHECKED	CUSTOMER / ORDER No.		