

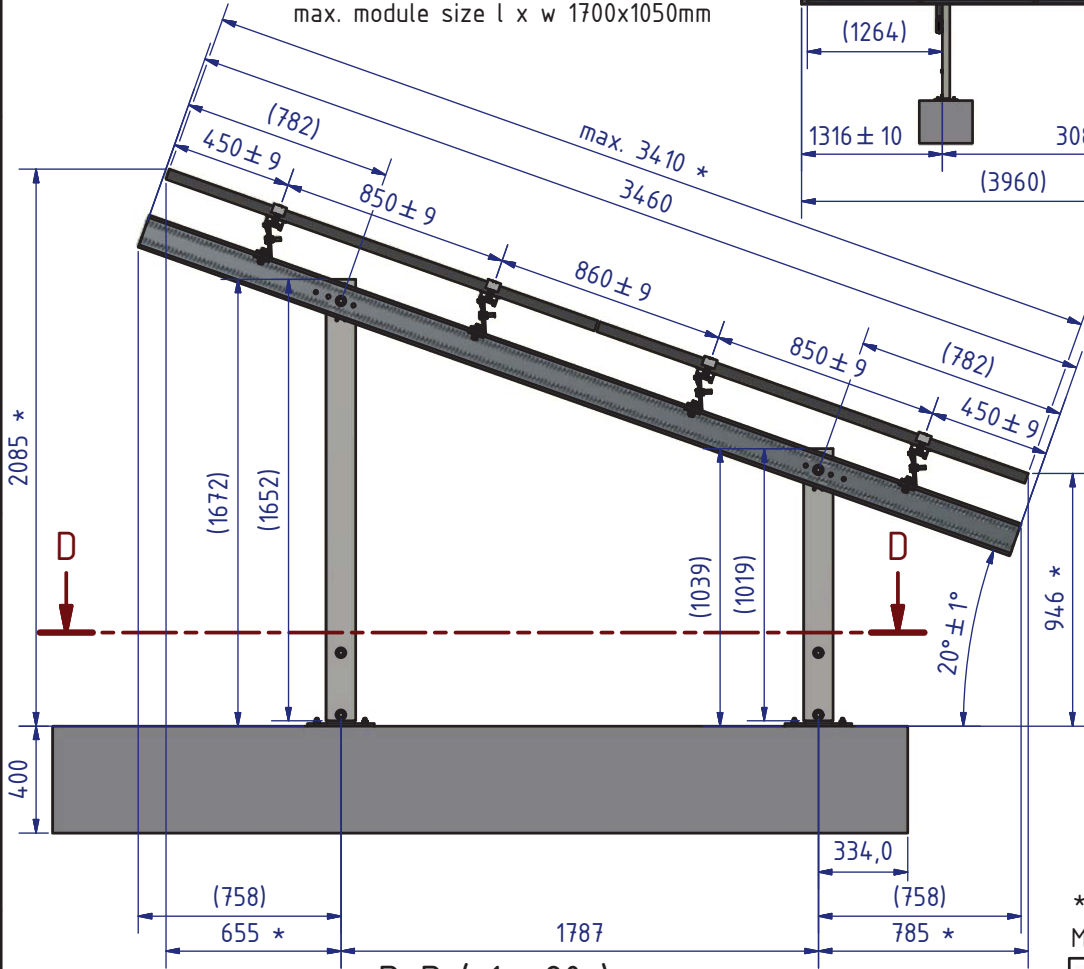
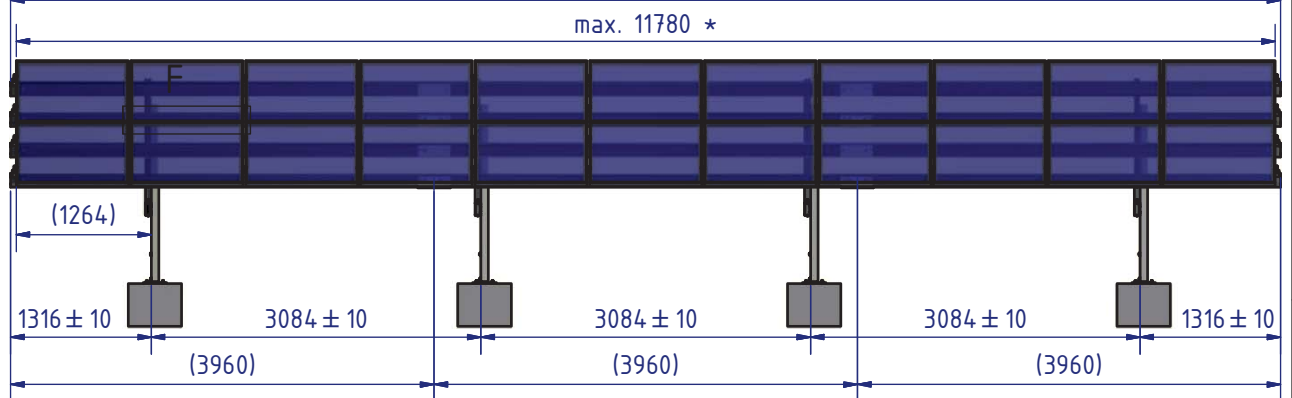
All rights reserved. Explicit written consent by Schletter Group is required for any kind of reproduction of this document.

F ( 1 : 25 )

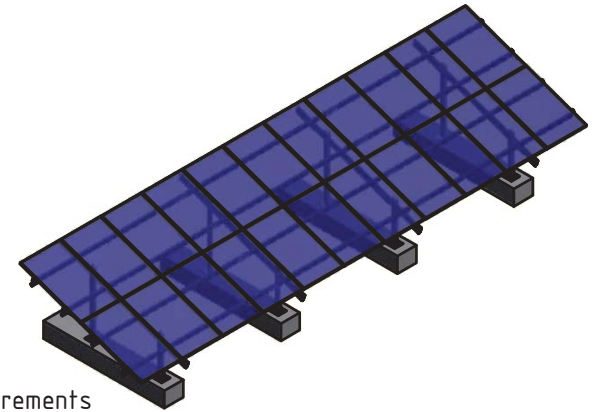
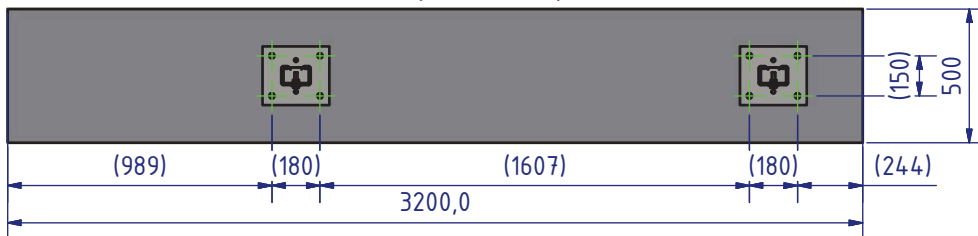


60 Cell Modules ( 1 : 20 )  
max. module size l x w 1700x1050mm

C ( 1 : 50 )



D-D ( 1 : 20 )



\* = depending on module measurements  
Module clamps must be ordered separately.

<b>SCHLETTER</b> The Solar Mounting Group		Material:	Scale: 1 : 20	Customer:	Information:
Particularities:		Date	Name	Job number:	Information:
Part number:	334960193.529 mm <sup>2</sup>	30.04.2020	SCHUPH	Name/Comment: PVMaxS Kit 2V 11/72 4 Pfosten PVMaxS Kit 2V 11/72 4 Posts	
Weight:	14770,7325 kg	Checked			
Density:	2,4668 g/cm <sup>3</sup>	Approved	12.11.2020		
	5,987792583030E+09 mm <sup>3</sup>	Surface specification:			
△ parts list changed	11.11.2020	SCHUPH	Tolerance specifications:	Projection method:	Supplier:
△ foundation added	06.10.2020	SCHUPH		Item number: 146003-040	2 / 5
△ components changed	23.09.2020	SCHUPH			A3
Status	Changes	Date	Name	Status of construction: FR	Document ID: 10000098647-ZNG-000-03