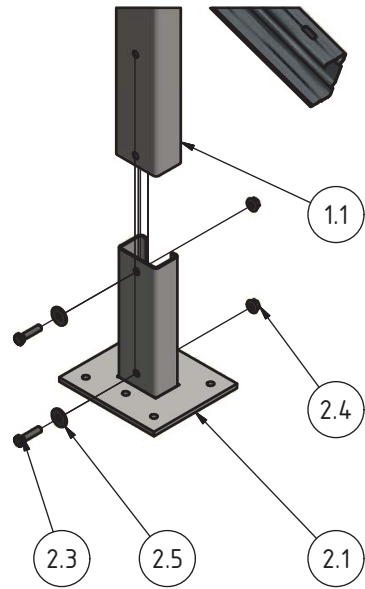
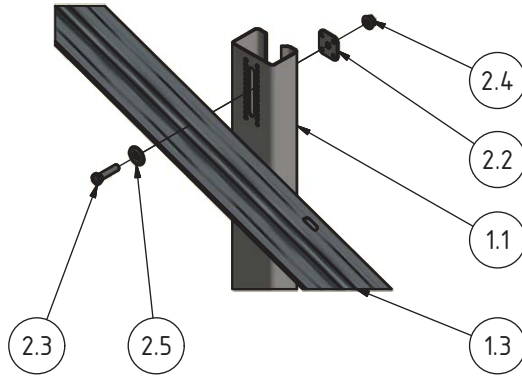


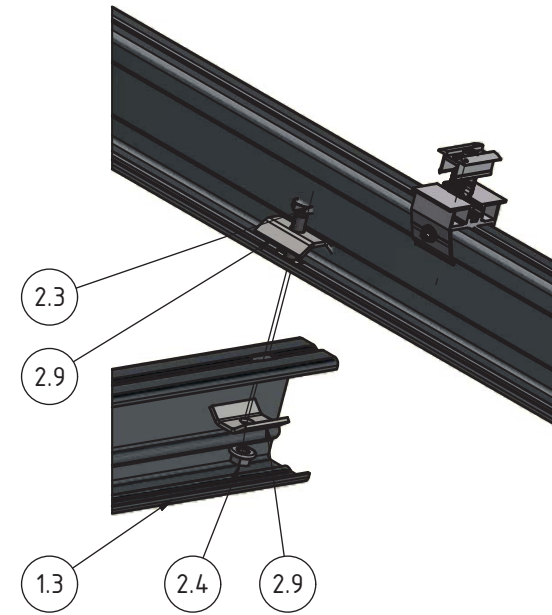
Foundation ( 1 : 10 )



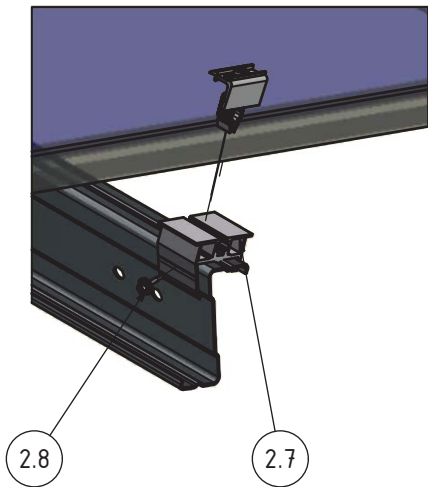
Foundation-Girder ( 1 : 10 )



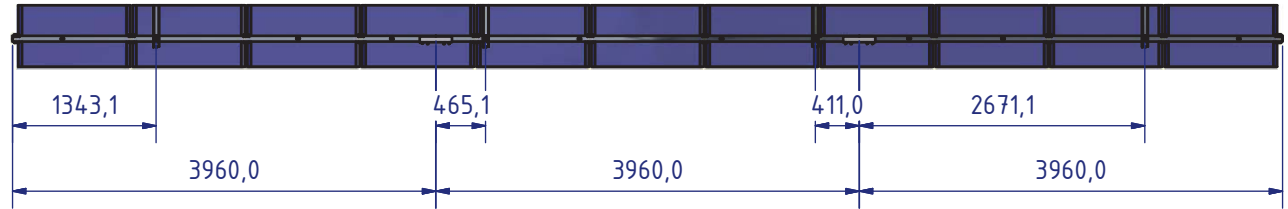
Girder-Purlin ( 1 : 5 )



Module Clamp ( 1 : 5 )



Girder-Purlin Holes ( 1 : 50 )



 The Solar Mounting Group		Material:	Scale:	Customer:	Information:
		Job number:	Information:	Name/Comment:	
Particularities:		Date	Name	Name/Comment:	
Part number: 834960193.529 mm <sup>2</sup>		Drawn	30.04.2020	SCHUPH	
Weight: 14770,7325 kg		Checked	PVMaX Kit 2V 11/72 4 Pfosten		
Density: 2,4668 g/cm <sup>3</sup>		Approved	12.11.2020	SCHMBE	
Volume: 5,987792583030E+09 mm <sup>3</sup>		Surface specification:			
parts list changed 11.11.2020 SCHUPH foundation added 06.10.2020 SCHUPH components changed 23.09.2020 SCHUPH		Tolerance specifications:		Projection method:	
Status: Changes		Date	Name	Supplier:	
				Item number: 146003-040	
				10000098647-ZNG-000-03	