

PROGETTO
MAISON MARGIELA
 BRUTON STREET - LONDON

DISEGNO
ELEVATION EXISTING

draft

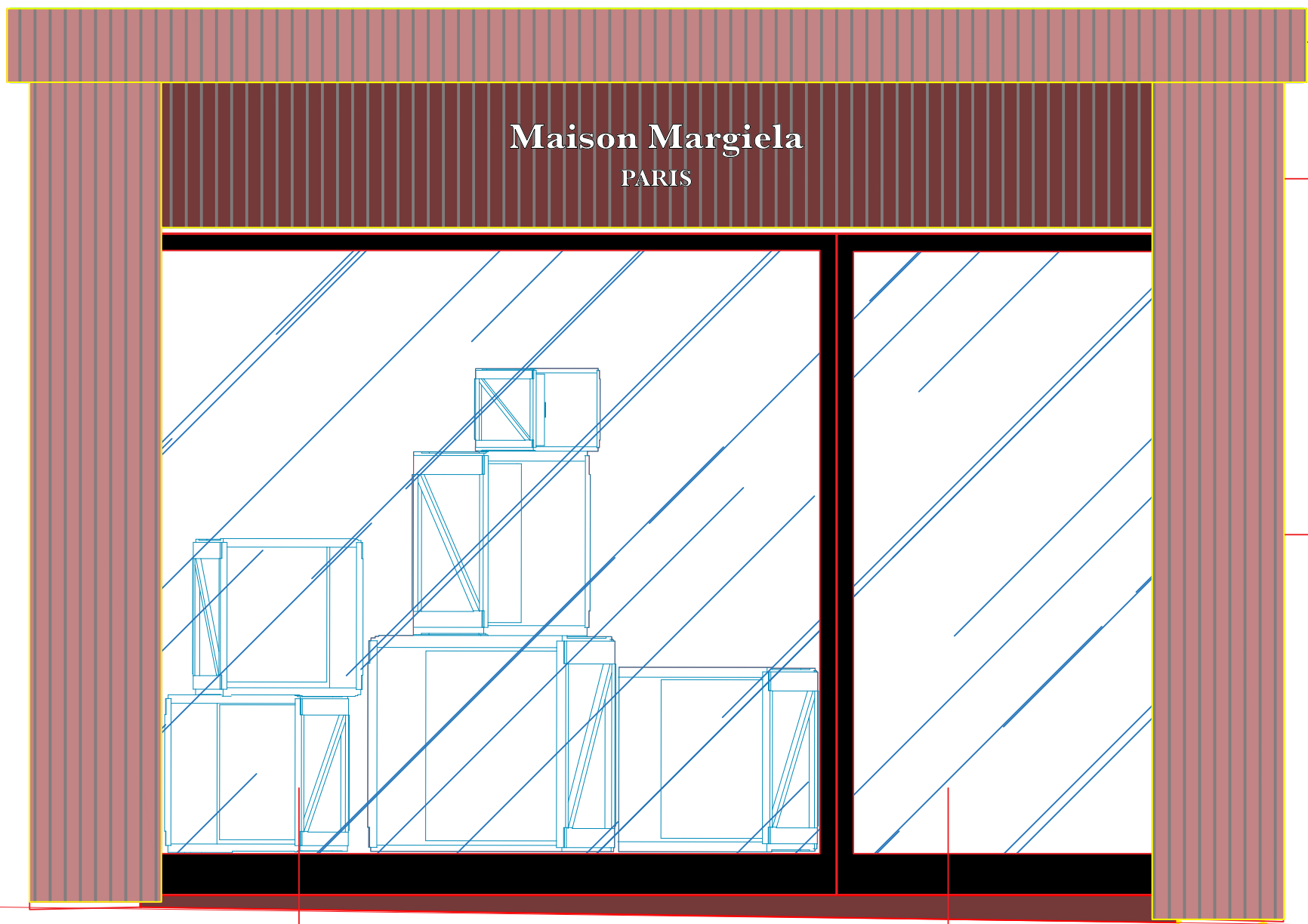
SCALA
 1:20

DISEGNATORE
 Matteo Luddi

REVISIONE
 rev 1.0

DATA
 16/08/21

TAVOLA
T0



Maison Margiela
PARIS

SEC.C-C

SEC.B-B

SEC.A-A

SEC.D-D

SEC.E-E



MEASURES
TO BE VERIFIED



PROGETTO
MAISON MARGIELA
BRUTON STREET - LONDON

DISEGNO
FRONT VIEW - PROPOSED

draft

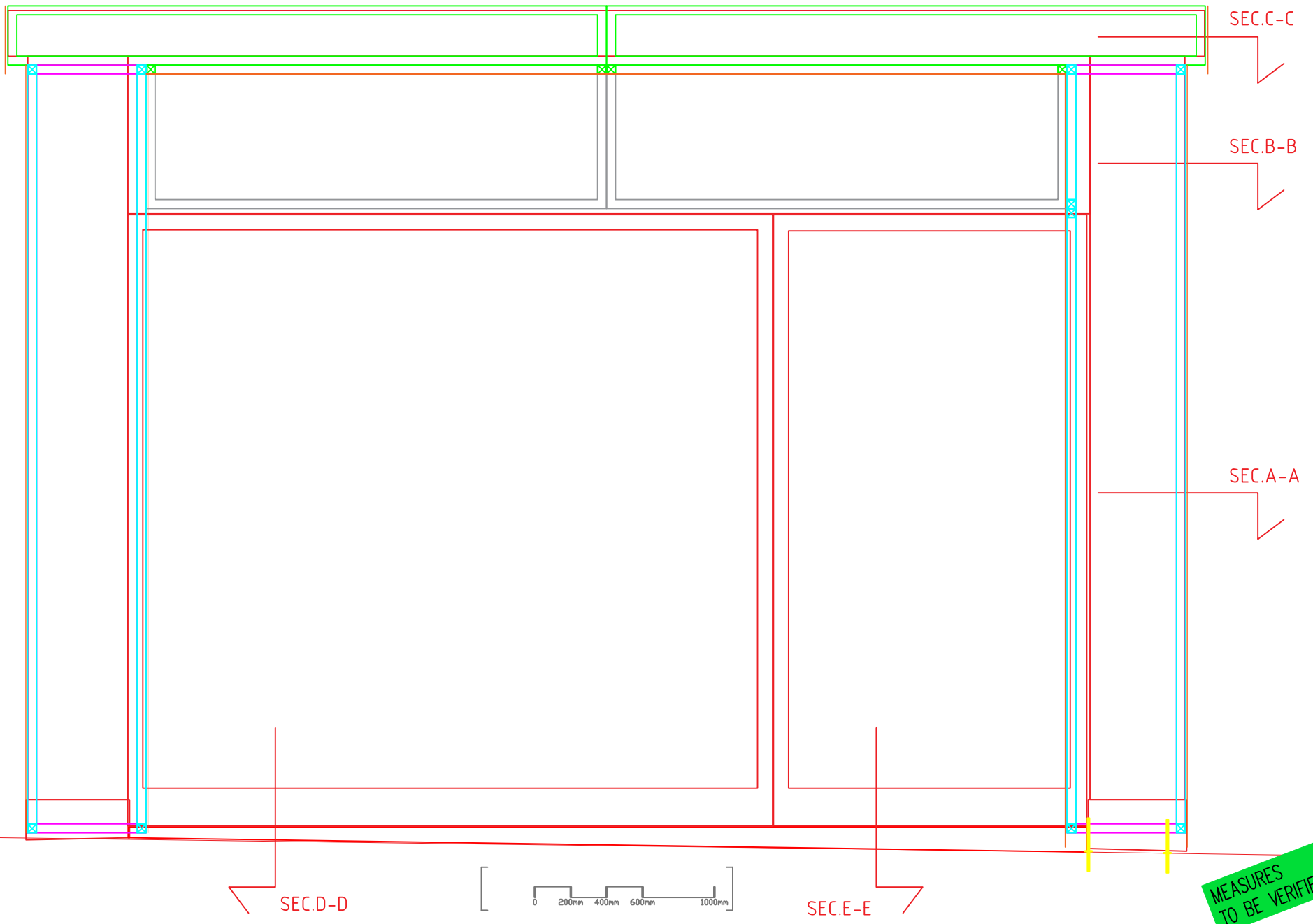
SCALA
1:20

DISEGNATORE
Matteo Luddi

REVISIONE
rev 1.0

DATA
18/08/21

TAVOLA
T1



PROGETTO
MAISON MARGIELA
 BRUTON STREET - LONDON

DISEGNO
 ELEVATION STRUCTURE PROPOSED

draft

SCALA
 1:20

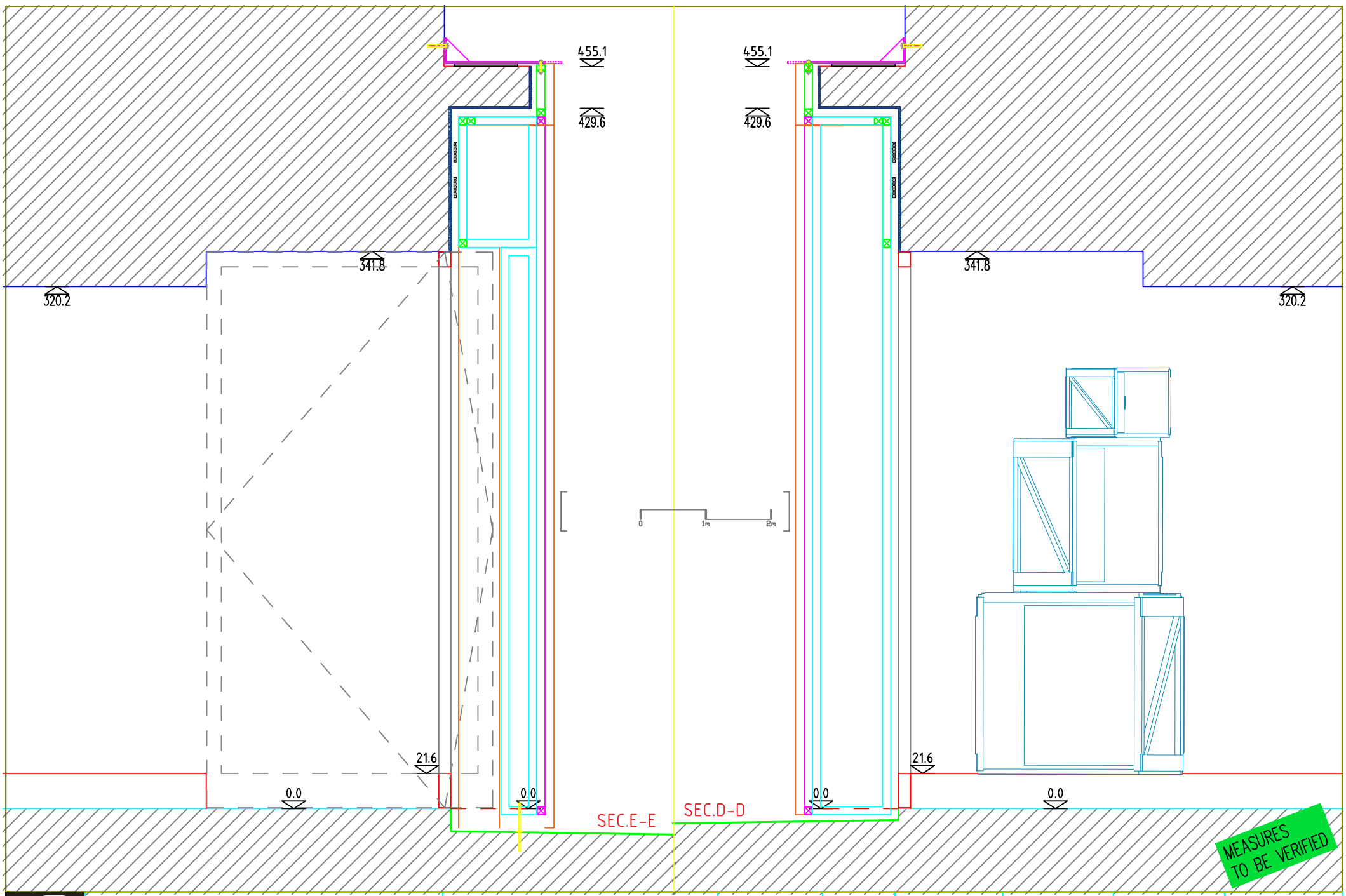
DISEGNATORE
 Matteo Luddi

REVISIONE
 rev 1.0

DATA
 18/08/21

TAVOLA
T2

MEASURES
 TO BE VERIFIED



PROGETTO
MAISON MARGIELA
 BRUTON STREET - LONDON

DISEGNO
SECTIONS PROPOSED

draft

SCALA
1:50

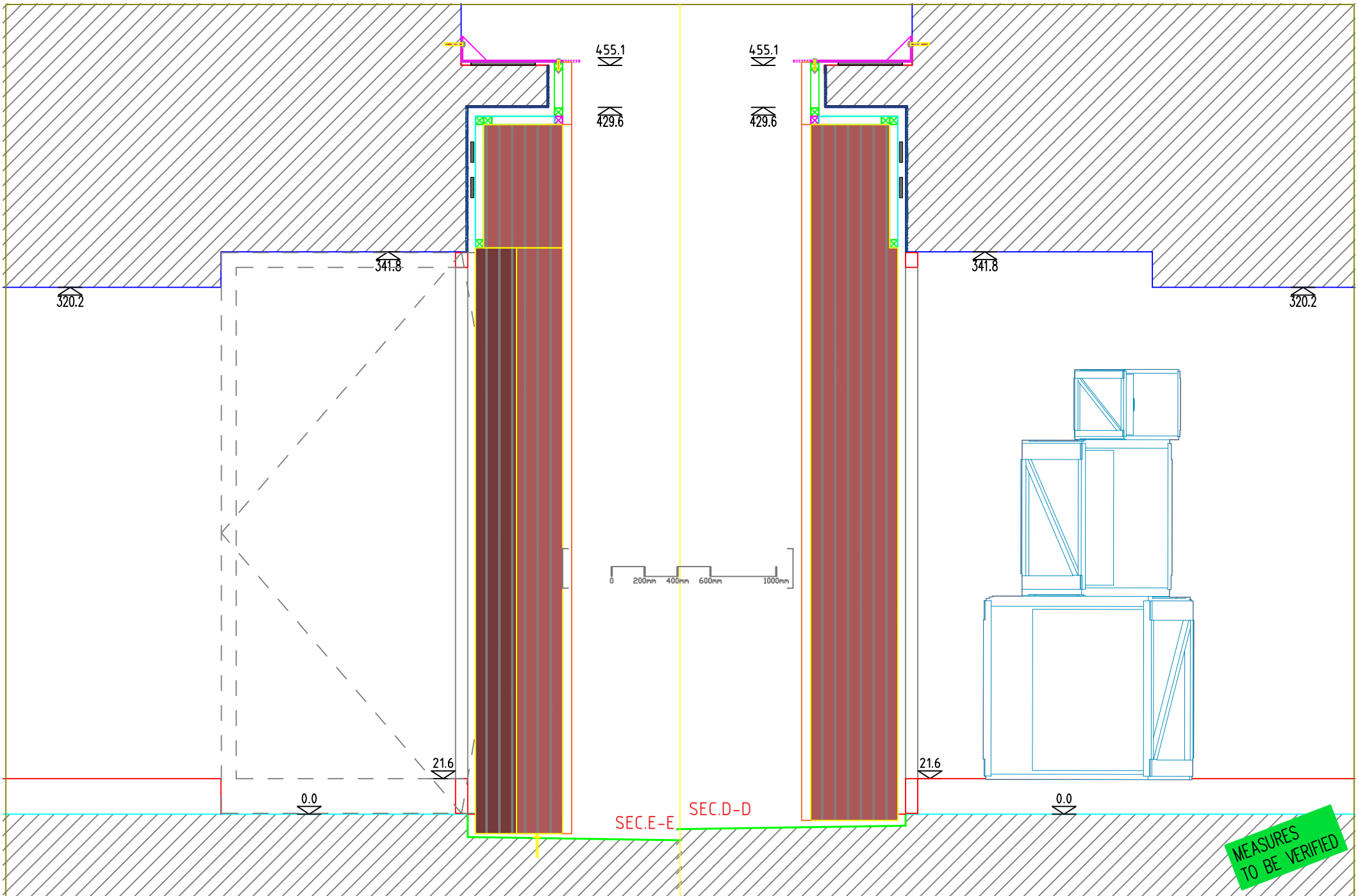
DISEGNATORE
Matteo Luddi

REVISIONE
rev 1.0

DATA
18/08/21

FASCIA
T3

MEASURES TO BE VERIFIED



MAISON MARGIELA
BRUTON STREET - LONDON

SECTIONS finishing PROPOSED

draft

1:20

Matteo Luddi

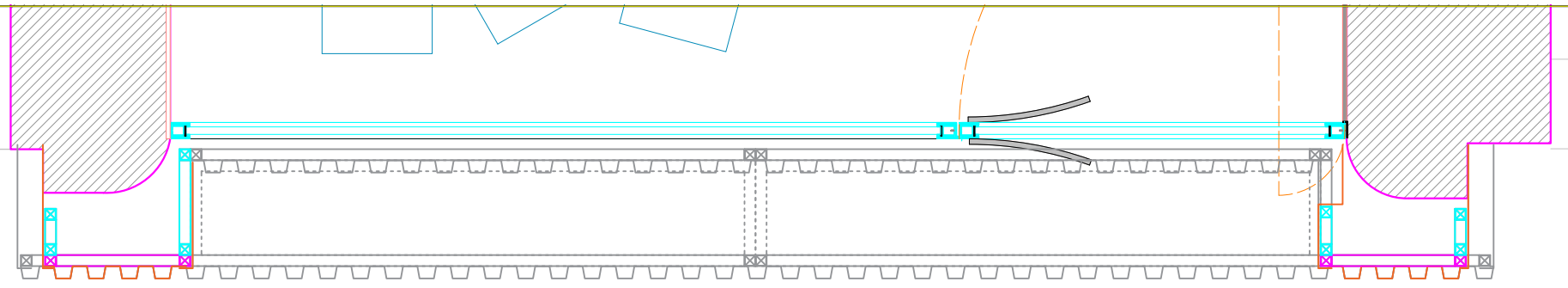
rev 1.0

18/08/21

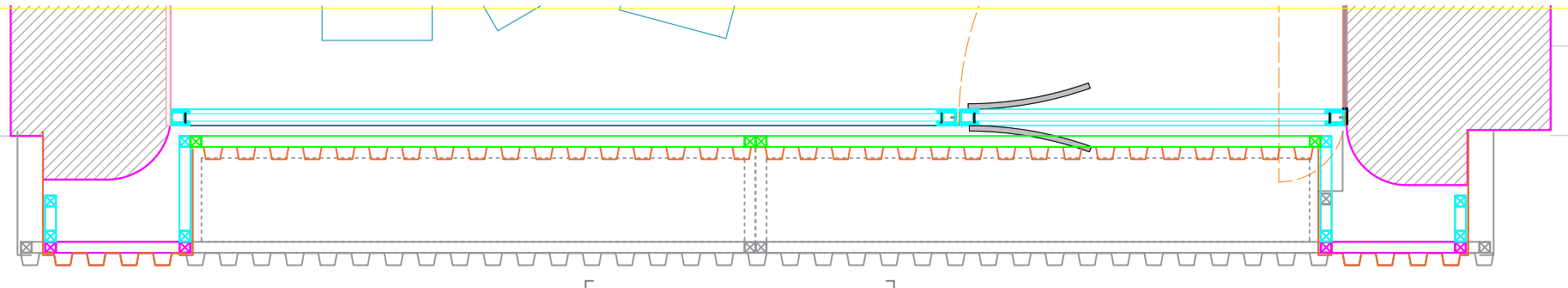
T4

MEASURES
TO BE VERIFIED

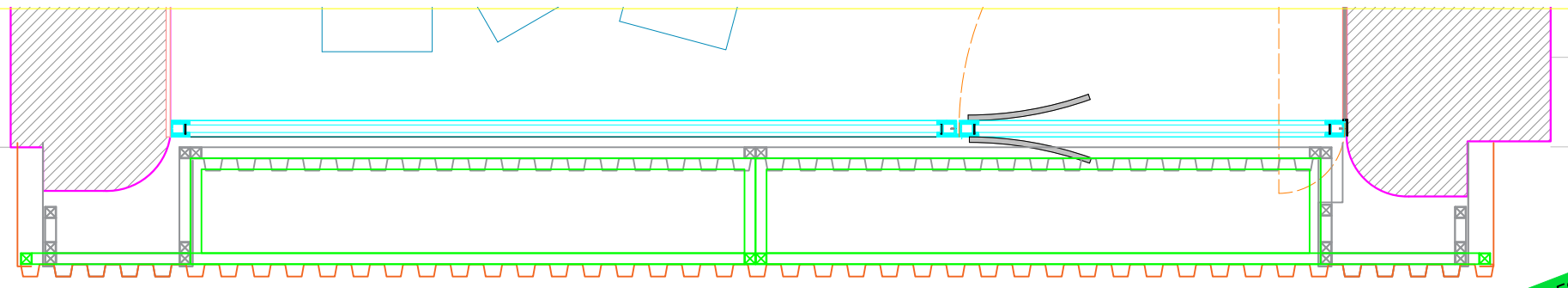
SEC.A-A



SEC.B-B



SEC.C-C



MEASURES TO BE VERIFIED



PROGETTO MAISON MARGIELA
BRUTON STREET - LONDON

DISEGNO PLAN PROPOSED

draft

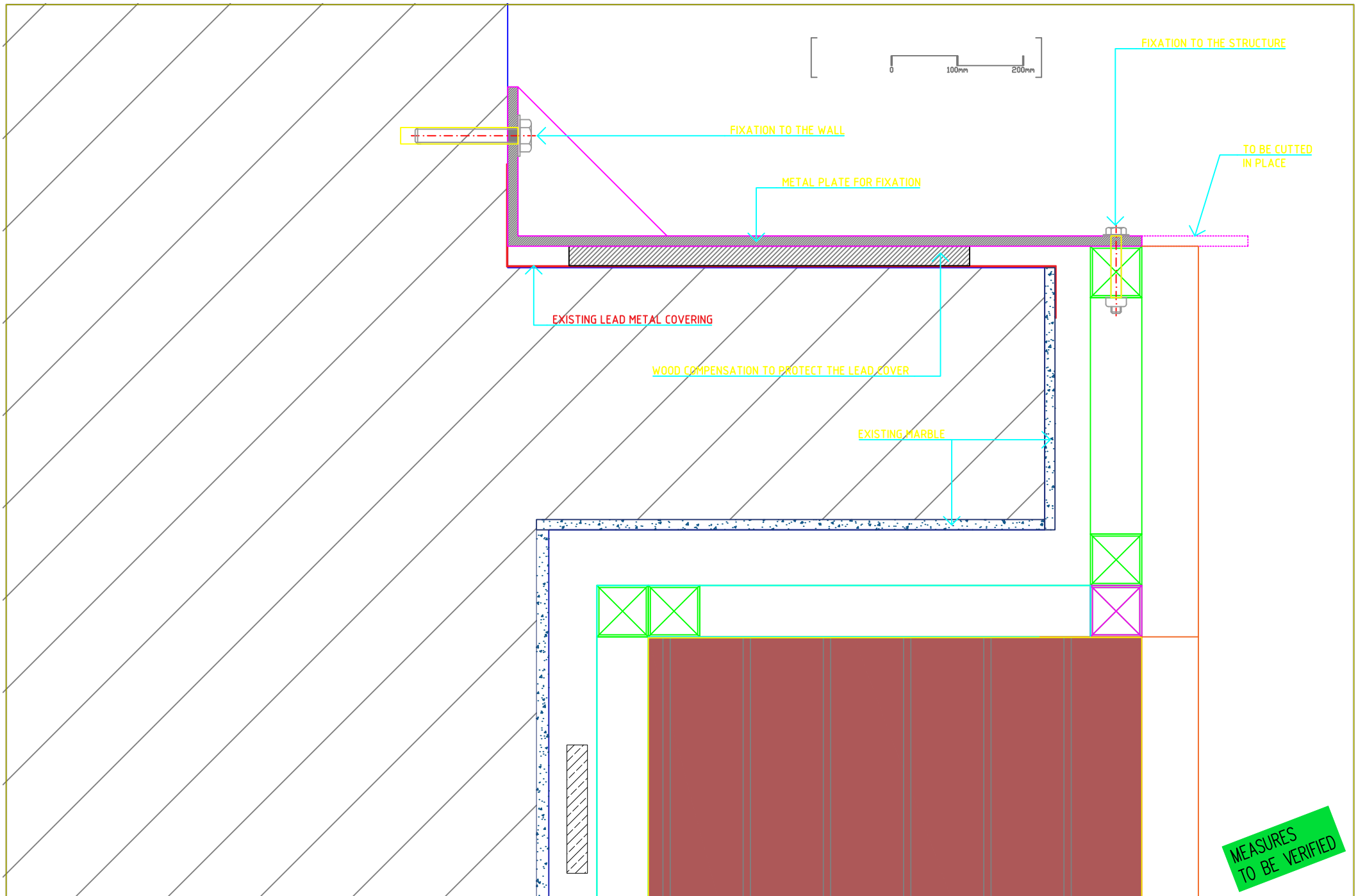
SCALA 1:20

DISEGNATORE Matteo Luddi

REVISIONE rev 1.0

DATA 18/08/21

TAVOLA T5



PROGETTO
MAISON MARGIELA
 BRUTON STREET - LONDON

DISEGNO
 FIXATION detail PROPOSED

draft

SCALA
 1:2

DISEGNATORE
 Matteo Luddi

REVISIONI
 rev 1.0

DATA
 18/08/21

TAVOLA
T6