

Notes

Bailey Partnership is the trading name of Bailey Partnership (Consultants) LLP, a limited liability partnership registered in England and Wales No. OC2420275.

This drawing is copyright and owned by Bailey Partnership (Consultants) LLP, and is for use on this project and site only unless contractually stated otherwise.

DO NOT SCALE from this drawing (printed or electronic versions). Contractors must check all dimensions from site.

All other design team elements, where indicated, have been imported from the consultant's drawings and reference should be made to the individual consultant's drawings for exact setting out, size and type of component.

Discrepancies and / or ambiguities within this drawing, between it and information given elsewhere, must be reported immediately to the architect for clarification before proceeding.

All works are to be carried out in accordance with the latest British Standards and Codes of Practice unless specifically directed otherwise in the specification.

Responsibility for the reproduction of this drawing in paper form, or if issued in electronic form, lies with the recipient to check that all information has been replicated in full and is correct when compared to the original paper or electronic image. Graphical representations of equipment on this drawing have been co-ordinated, but are approximations only. Please refer to the Specifications and / or details for actual sizes and / or specific contractor construction information.

Ordnance Survey Paper Map Copying License number: 40006119

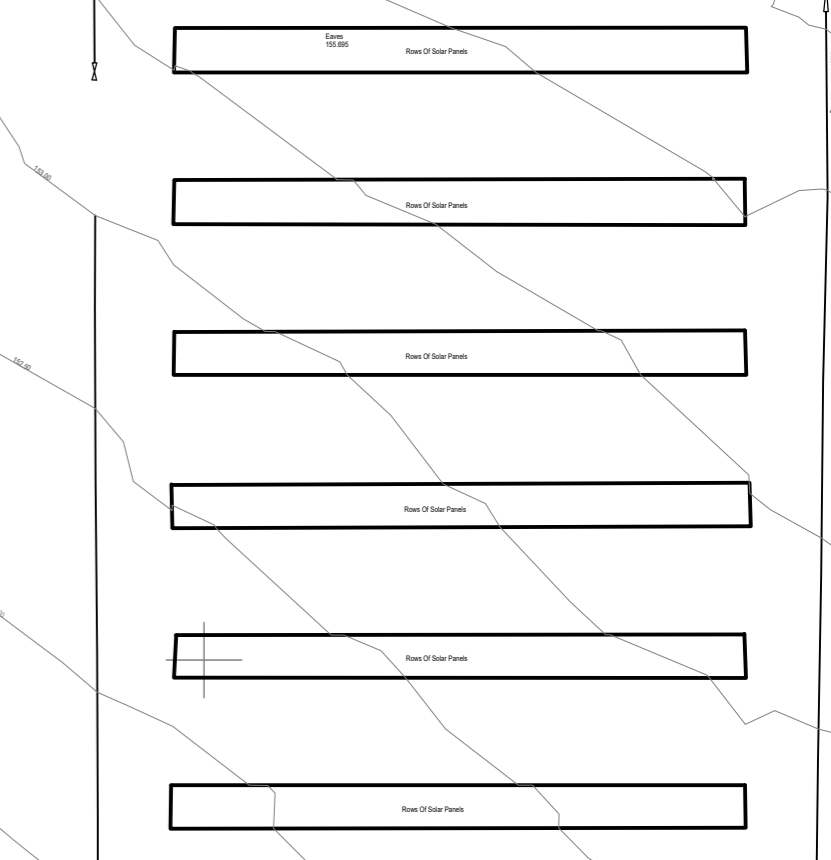
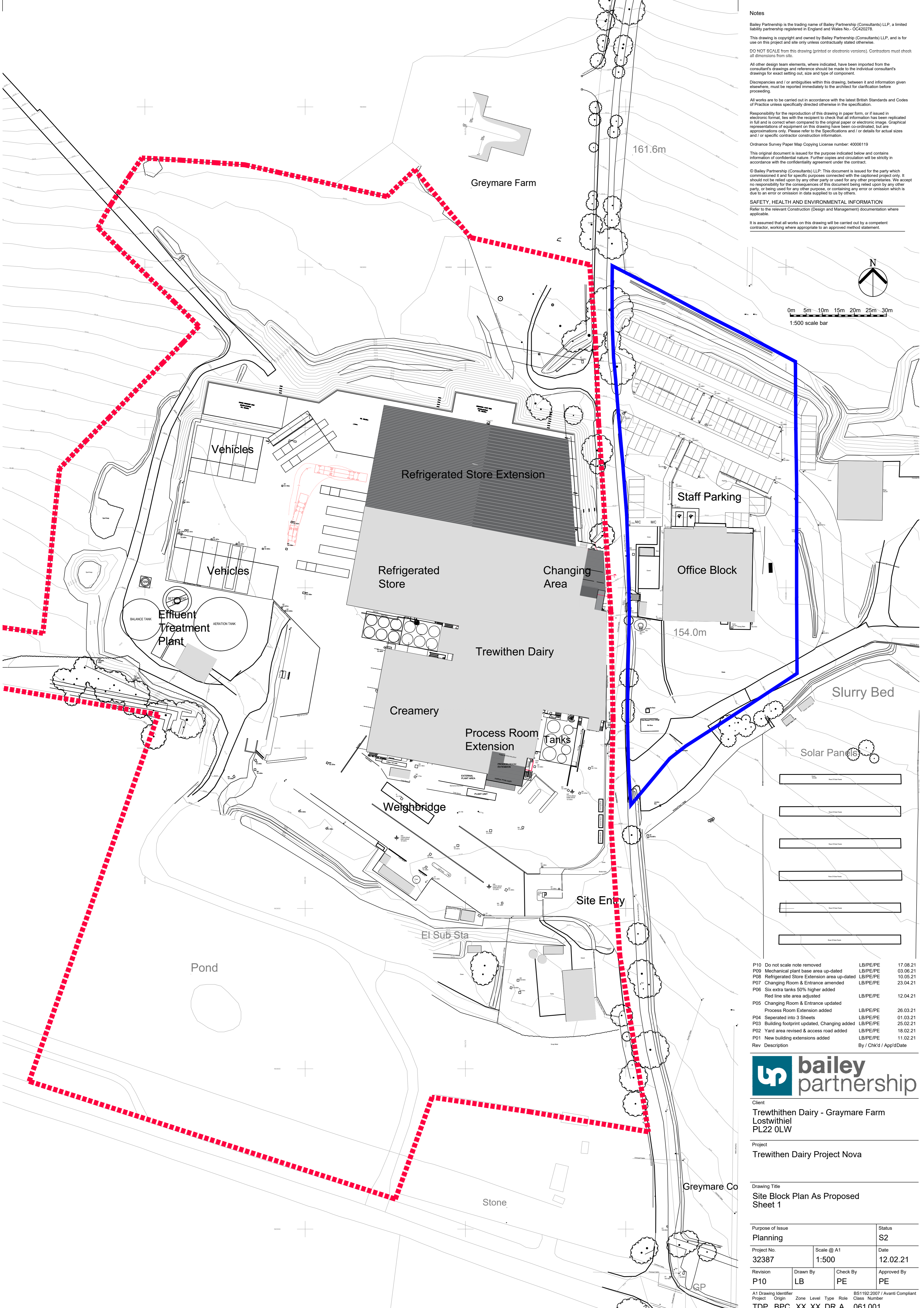
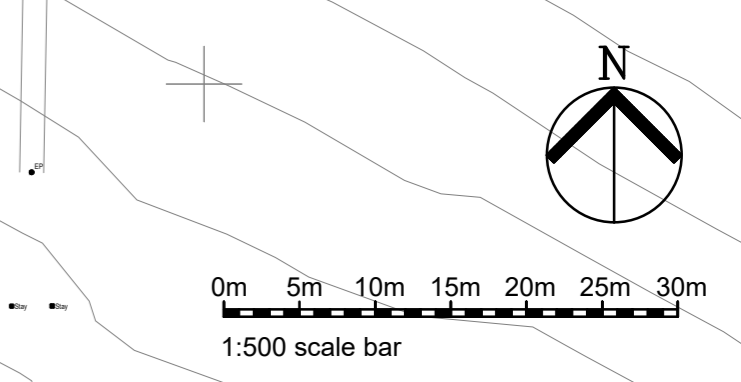
This original document is issued for the purpose indicated below and contains information of confidential nature. Further copies and circulation will be strictly in accordance with the confidentiality agreement under the contract.

© Bailey Partnership (Consultants) LLP. This document is issued for the party which commissioned it and for specific purposes connected with the captioned project only. It should not be relied upon by any other party or used for any other purposes. We accept no responsibility for the consequences of this document being relied upon by any other party, or being used for any other purpose, or containing any error or omission which is due to an error or omission in data supplied to us by others.

SAFETY, HEALTH AND ENVIRONMENTAL INFORMATION

Refer to the relevant Construction (Design and Management) documentation where applicable.

It is assumed that all works on this drawing will be carried out by a competent contractor, working where appropriate to an approved method statement.



P10	Do not scale note removed	LB/PE/PE	17.08.21
P09	Mechanical plant base area up-dated	LB/PE/PE	03.06.21
P08	Refrigerated Store Extension area up-dated	LB/PE/PE	10.05.21
P07	Changing Room & Entrance amended	LB/PE/PE	23.04.21
P06	Six extra tanks 50% higher added		
	Red line site area adjusted	LB/PE/PE	12.04.21
P05	Changing Room & Entrance updated		
	Process Room Extension added	LB/PE/PE	26.03.21
P04	Separated into 3 Sheets	LB/PE/PE	01.03.21
P03	Building footprint updated, Changing added	LB/PE/PE	25.02.21
P02	Yard area revised & access road added	LB/PE/PE	18.02.21
P01	New building extensions added	LB/PE/PE	11.02.21
Rev	Description	By / Chk'd / App'd	Date



Client
Trewithen Dairy - Graymare Farm
 Lostwithiel
 PL22 0LW

Project
Trewithen Dairy Project Nova

Drawing Title
Site Block Plan As Proposed
 Sheet 1

Purpose of Issue		Status
Planning		S2
Project No.	Scale @ A1	Date
32387	1:500	12.02.21
Revision	Drawn By	Check By
P10	LB	PE
		Approved By
		PE

A1 Drawing Identifier: Zone Level Type Role Class Number
 TDP BPC XX XX DR A 061001