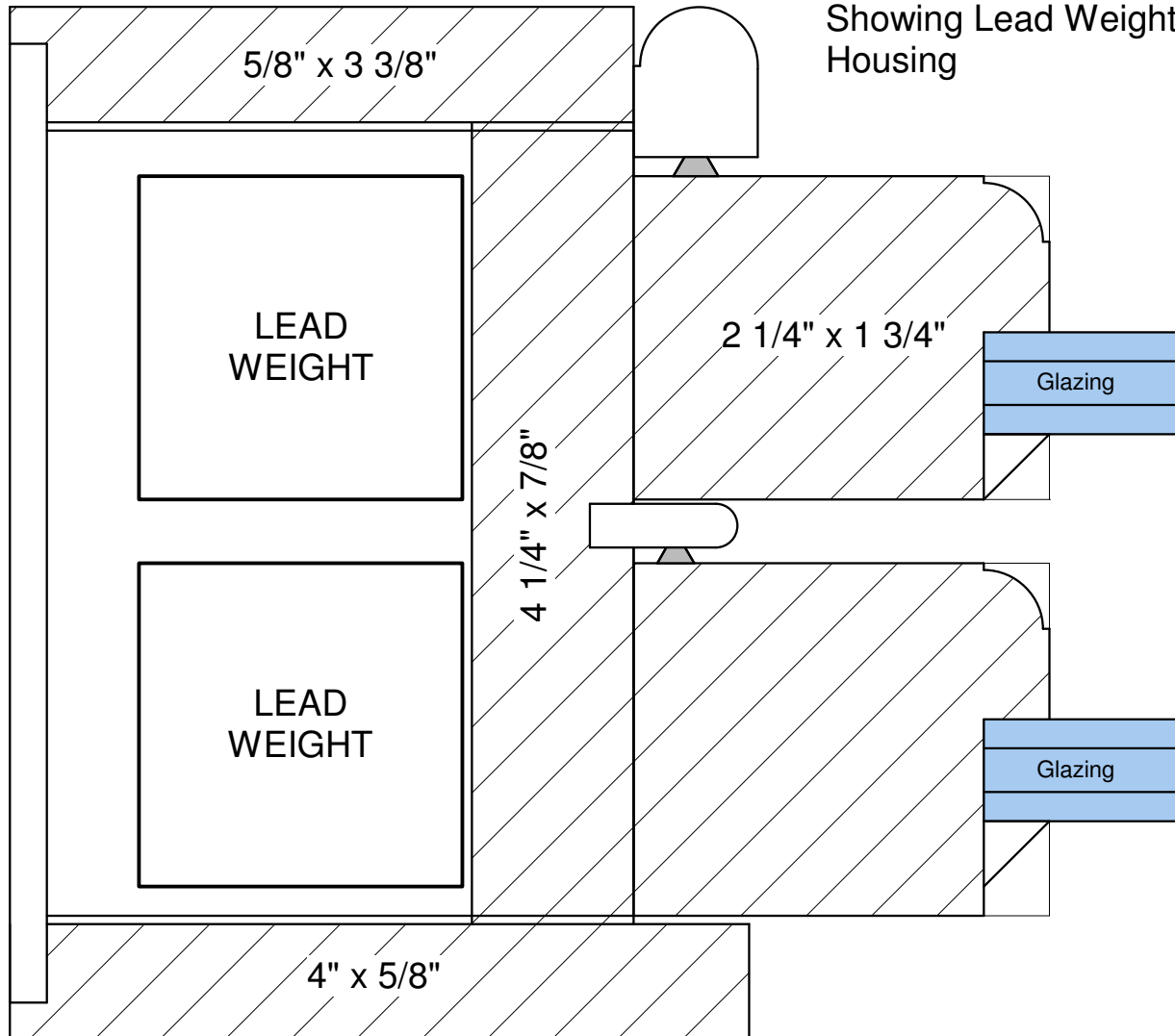


Jamb Section
Showing Lead Weight
Housing



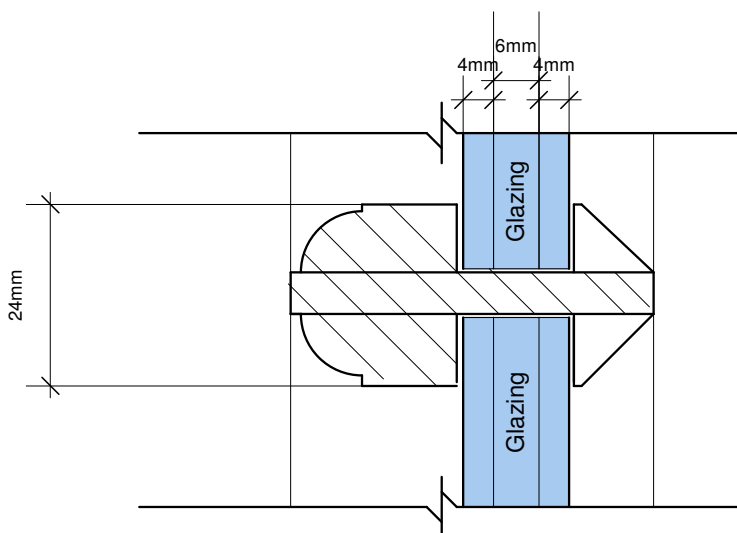
Glazing Bar with
9mm x 9mm Beading

Bottom Rail - 89 x 45mm
 Top Rail - 57 x 45mm
 Styles - 57 x 45mm
 Bars - 24 x 45mm
 Meeting Rails - 32 x 45mm
 Glazing - 4 / 6 / 4mm Heritage
 Sealed Units

Note :

All joinery to be made of Sapele
 and spray painted in off white
 satin finish.

Head joinery to be hidden behind
 brickwork, cill to be flush to frame
 48mm in depth



3rd July 2021

L007 Proposed Replacement Sash Window Details

Daren C Hall Architect

scale 1:1

Proposed Change of Use for 12 New Street,
 Stourport on Severn, DY13 8UW.

The Oast House,
 25 Kiln Lane, Leigh Sinton,
 Malvern, WR13 5HH
 Tel : 07966 567266

daren.hall@btopenworld.com