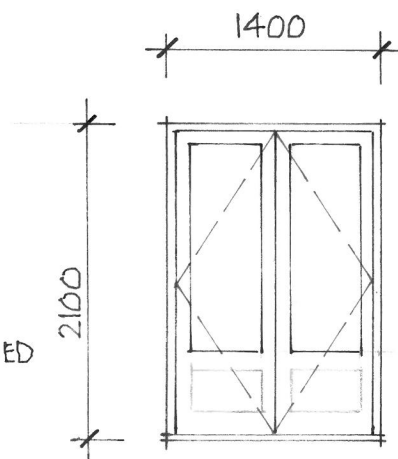
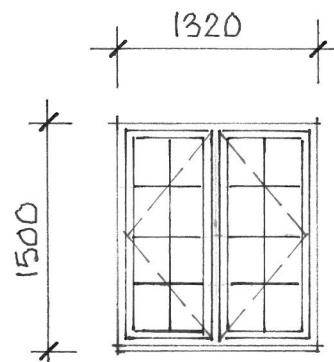


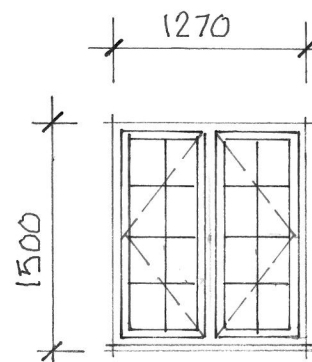
RAISED AND FIELDED  
PAINTED BOTTOM  
PANELS



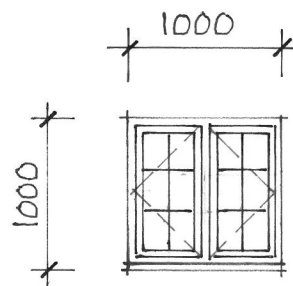
W4 STUDY



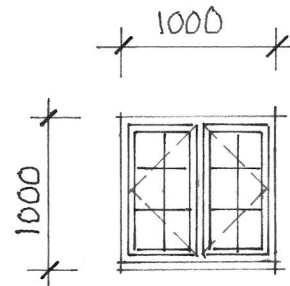
W5 LANDING



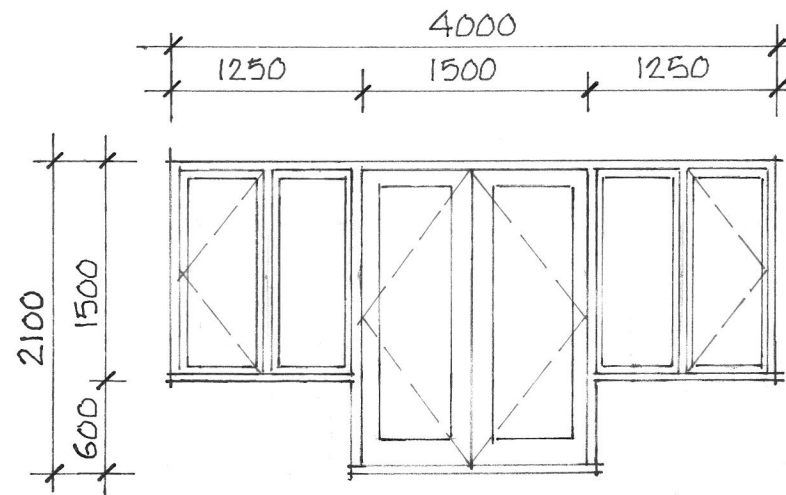
W6 BEDROOM 1



W1  
FAMILY  
ROOM



W2  
FAMILY  
ROOM.



BREAKOUT EXTG LOW  
WALL TO FIT FRENCH  
DOORS.  
W3 KITCHEN.

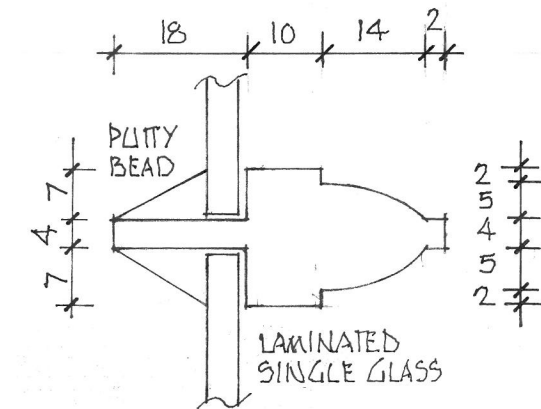
NOTES

WINDOWS VIEWED FROM OUTSIDE.  
ALL WINDOWS TO BE SINGLE GLAZED  
WITH LAMINATED GLASS IN PAINTED  
HARDWOOD FRAMES.

FRENCH DOORS OPEN OUT.

GEORGIAN STYLE WINDOWS  
TO BE INDIVIDUAL PANES IN  
MOLDED SLIM GLAZING BARS.

ALL OPENING DIMENSIONS TO  
BE CHECKED ON SITE BEFORE  
ORDERING OR MANUFACTURE.



FULL SIZE DETAIL  
GLAZING BAR

PROPOSED REPLACEMENT WINDOWS AND FRENCH DOORS.  
TIGNALS, FRENHAM LANE, HEADLEY.



SCALE 1:50 @ A3  
29 JUNE 2021  
DRG No M646/21/006