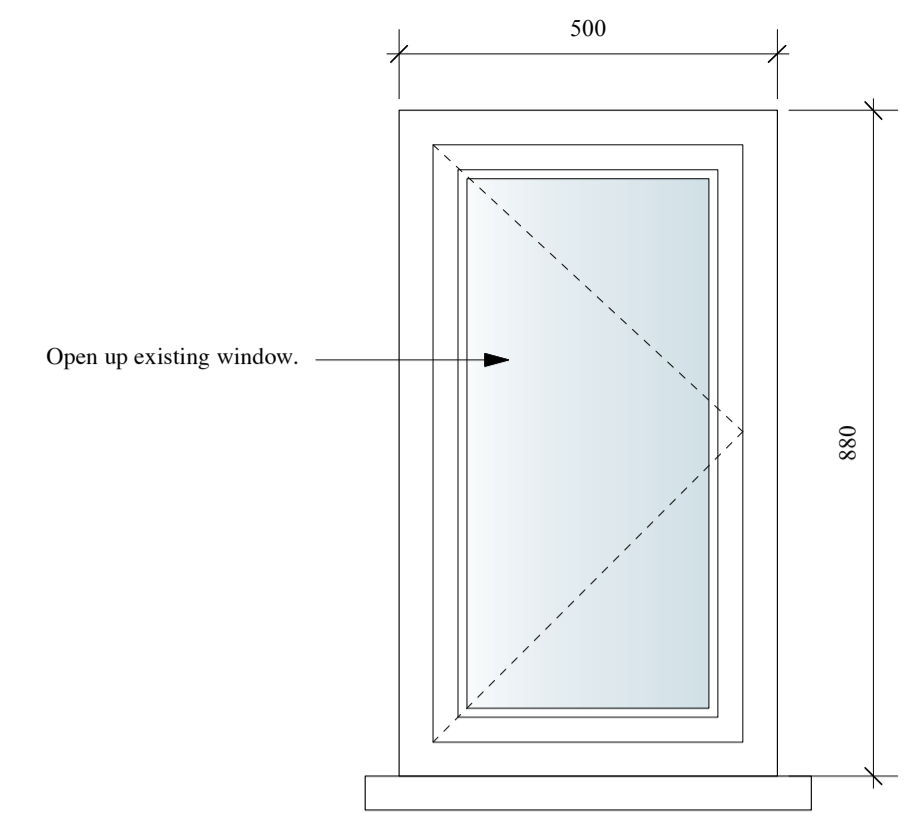
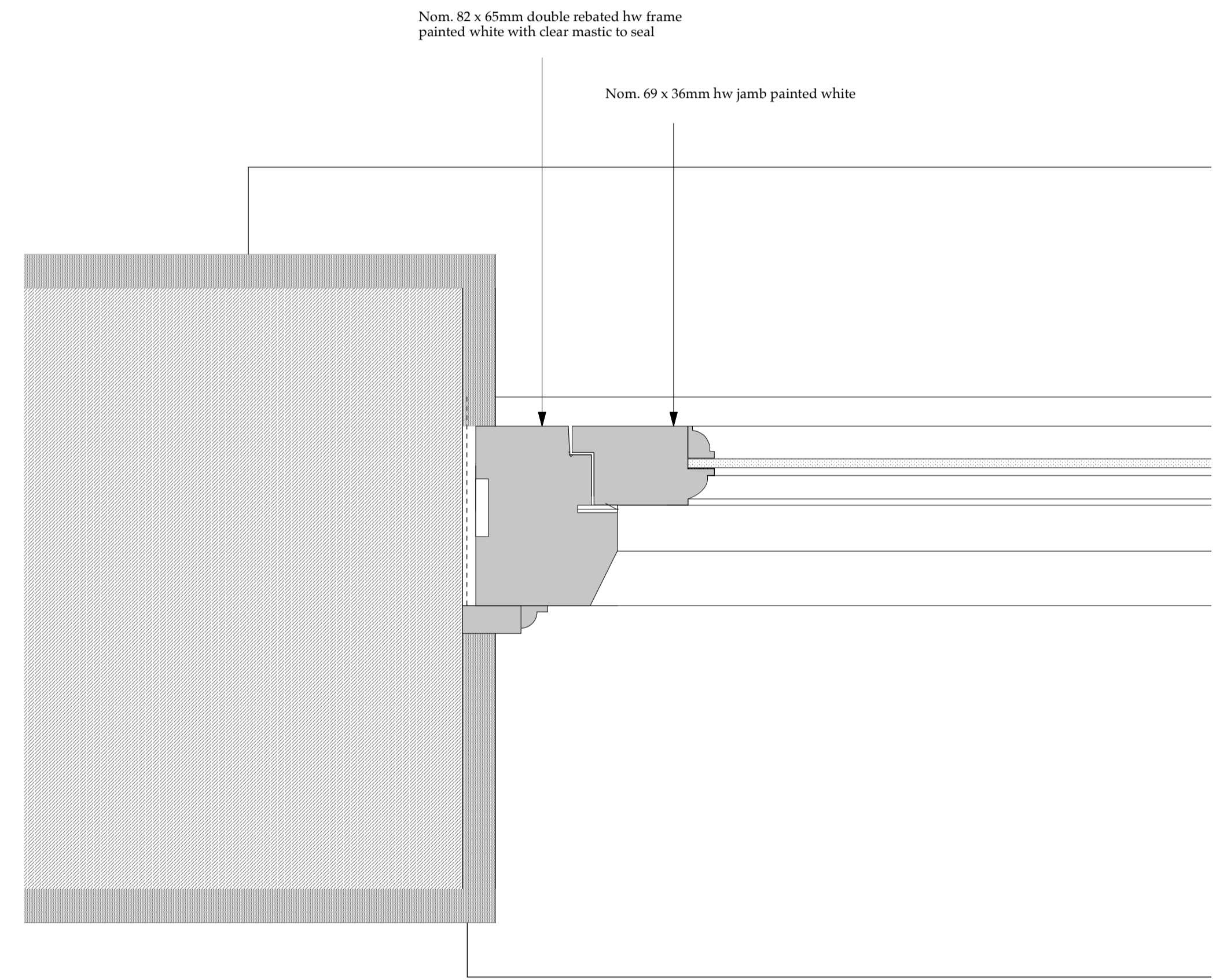


VERTICAL SECTION
- Head & Threshold Details
scale 1:2



External Elevation
scale 1:10



HORIZONTAL SECTION
scale 1:2

Aj Architects Ltd.

PROJECT
59 St George's Road
Cheltenham
Glos. GL50 3DU

PROJECT NO.
21/721

DRAWING TITLE
Proposed New Window to Kitchen

SCALE
1:10, 1:2
@ A1

DRAWING NO.
410

REVISION
(-)

DATE
Aug 2021

ANTHEA JACKSON BA(Hons) Arch Dip (Arch) RIBA
11 PRINCES STREET
CHELTENHAM
GLOUCESTERSHIRE
GL52 6BE

Tel: (01242) 581101
Mobile: (07813) 941017