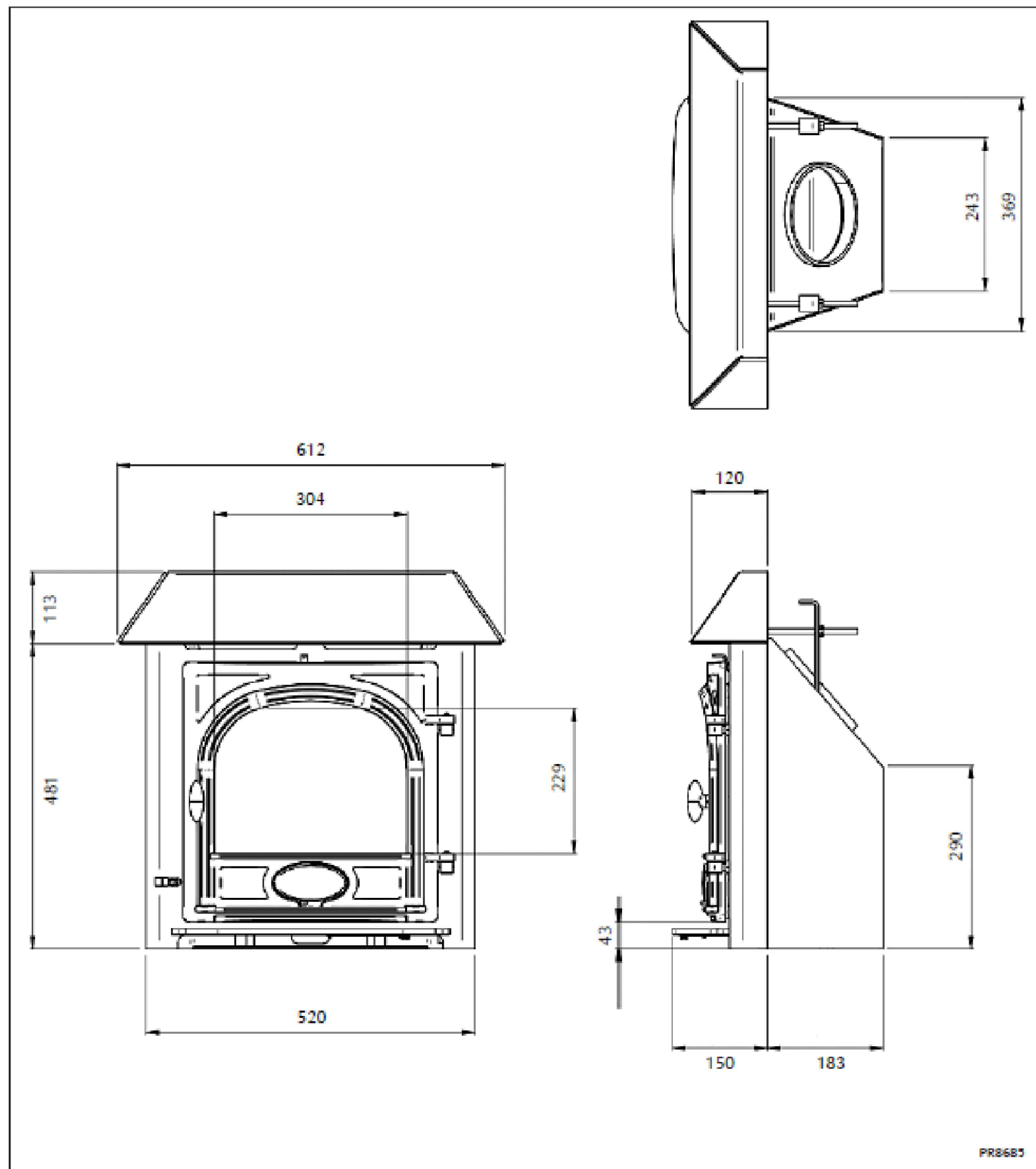




Stovax Stockton Milner – Inset Convector Stove – Dimensions and Views
 Source: Stovax User Guide



DO NOT SCALE

This drawing must not be scaled.

The Principal Contractor is to verify all dimensions, levels and datums prior to commencement of work.

Any discrepancies are to be reported immediately to the Supervising Officer.

Variations and modifications to the work shown on these drawings are not to be carried out without the written permission of the Project Officer.

This drawing is the property of The National Trust. The information shown is to be treated as confidential and must not be copied, reproduced or disclosed to any third person without the The National Trust's written permission.

Maps are reproduced by permission of Ordnance Survey on behalf of HMSO.

© Crown copyright and database right 2007. All rights reserved.

Ordnance Survey licence number AL 100018591

REVISION	BY	DATE	DETAILS

NOTES

HARDWICK CONSULTANCY OFFICE
 The Croft
 Doe Lea
 Chesterfield
 Derbyshire
 S44 5QJ
 Telephone 01246 599430

ESTATE/PROPERTY
 23 Hardwick Terrace – Clumber Park

DRAWING TITLE
 Stove Insert Details

DRAWN BY	SW	DATE	August 2021
SCALE	A3	NTS	PROPERTY REFERENCE
DRAWING No	R003	REV	

Image 1 – Existing fireplace with back boiler to be decommissioned and stove installed to existing opening. The existing grate and ash pan will be removed and the insert installed to the area shown in red. Note: The NT Vernacular Building Survey indicates that this is a 1970s installation.

Image 2 – Indicative picture showing stove installation. Source: Stovax User Guide

