
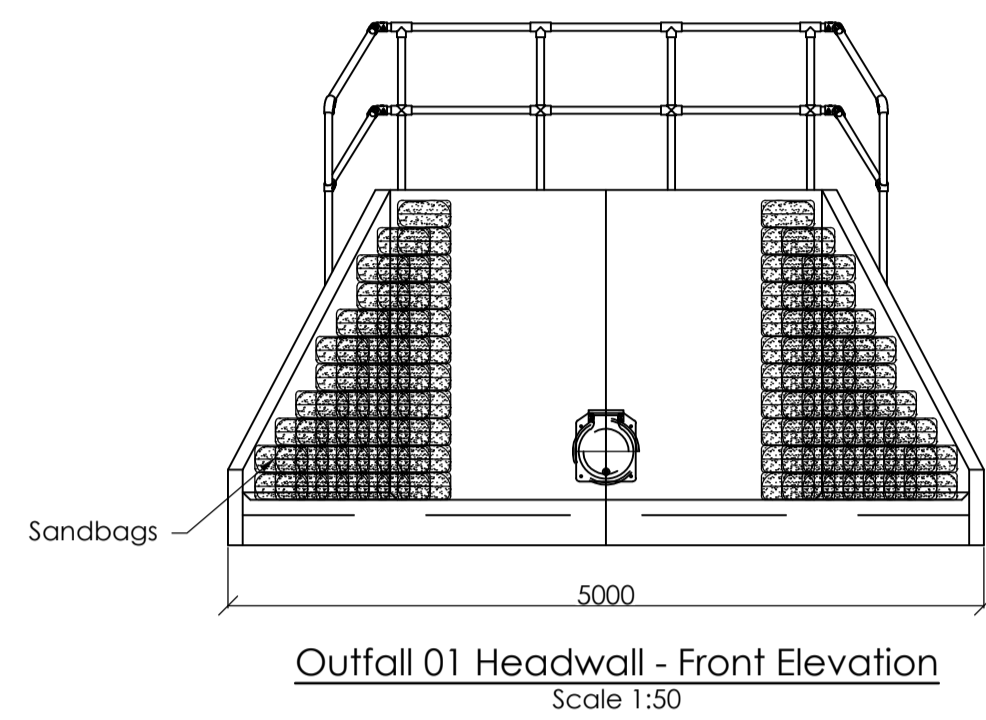
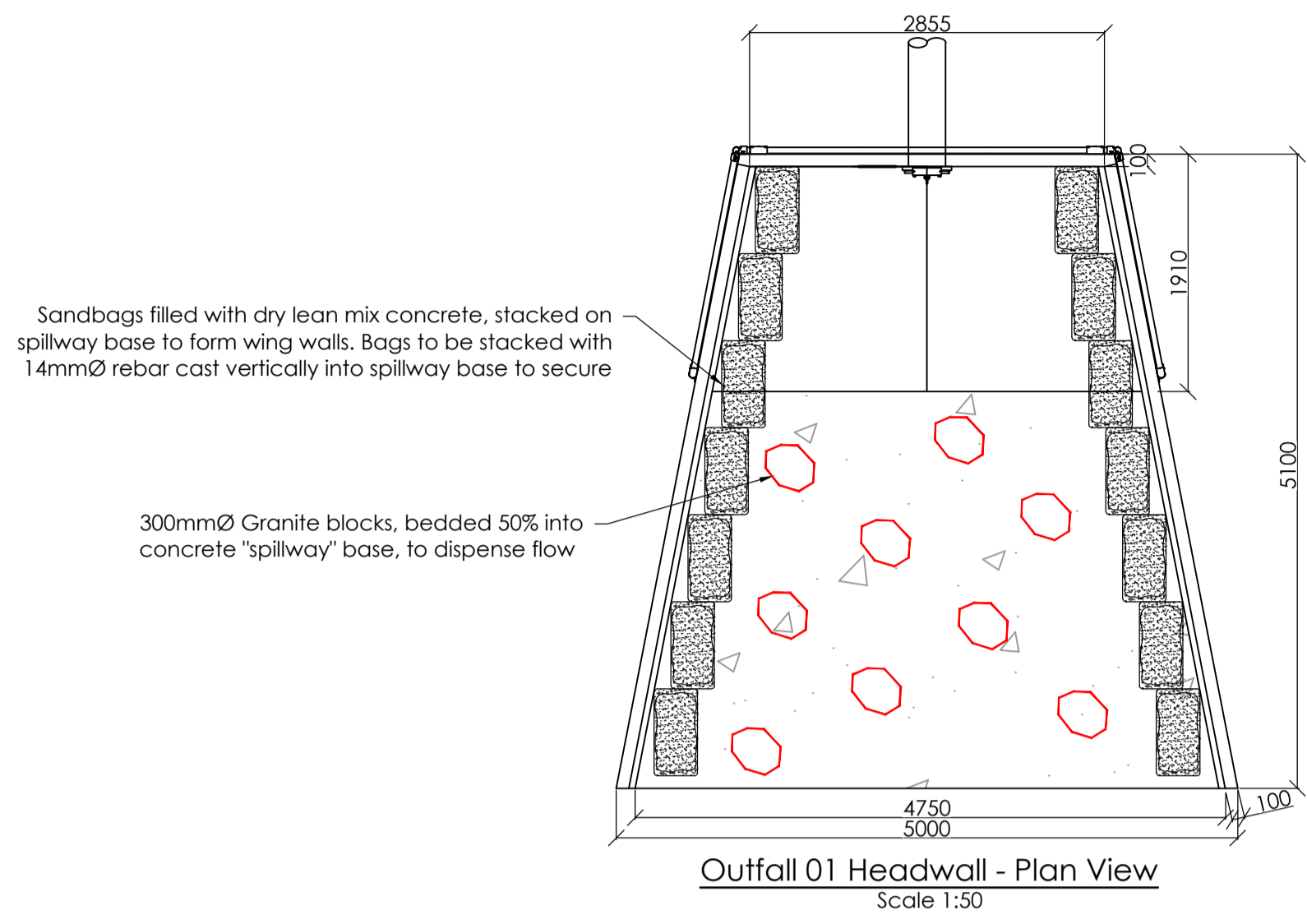
	This symbol identifies a Residual Risk that is recorded on the Design Risk Register and is relevant to this drawing. This drawing must be read in conjunction with the following project CDM documents: 664015-1275-PEV-FNC0011-XX-HS-C-0003_Design Risk Assessment-Stage 3
	This symbol identifies a Derogation that is recorded on the Derogation Schedule and is relevant to this drawing. This drawing must be read in conjunction with the following project Derogation documents: N/A

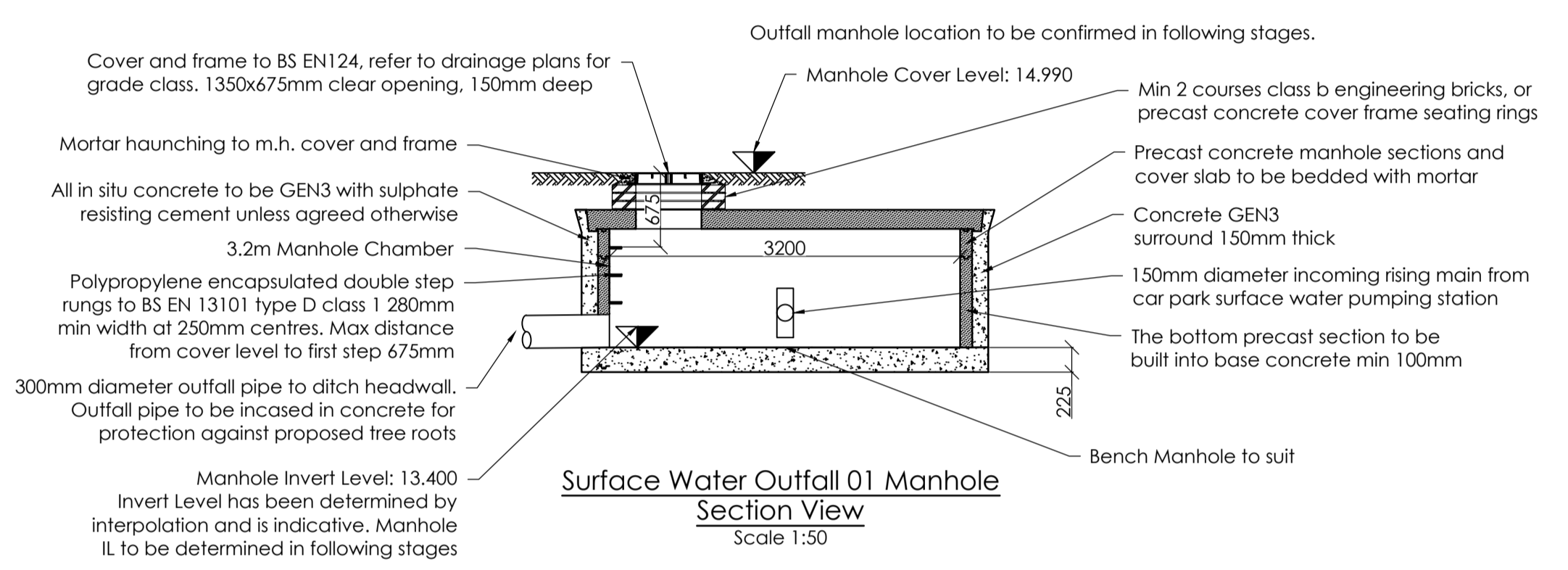
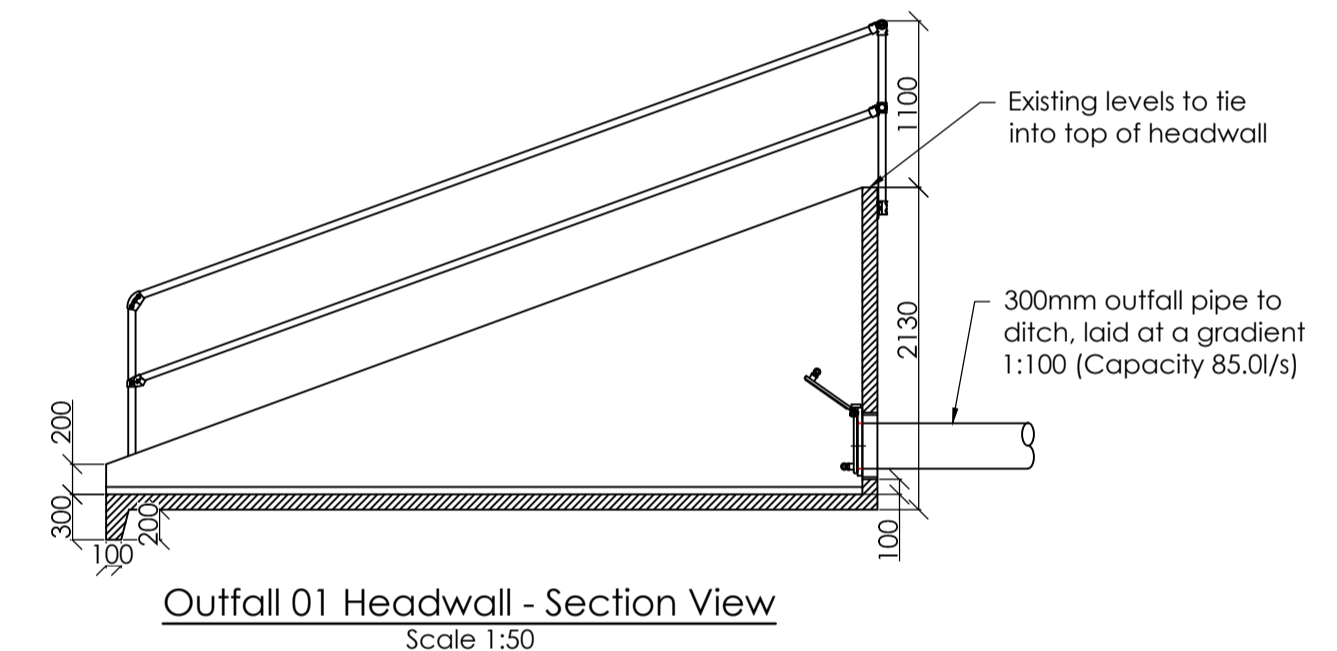
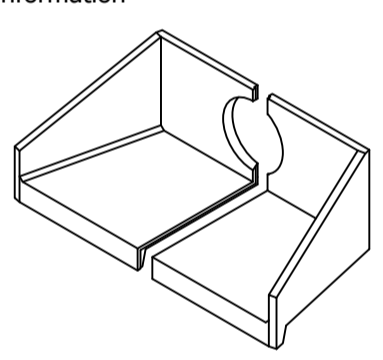
The above symbols can only be read when this drawing is in colour print

- NOTES:**
- ALL WORKS TO BE DESIGNED AND CONSTRUCTED IN ACCORDANCE WITH RELEVANT MOJ STANDARDS.
 - ALL DETAILS, DIMENSIONS, ARRANGEMENTS AND SPECIFICATIONS ARE INDICATIVE CONCEPT DESIGN ONLY - ALL DETAILS TO BE CONFIRMED FOLLOWING DESIGN DEVELOPMENT.

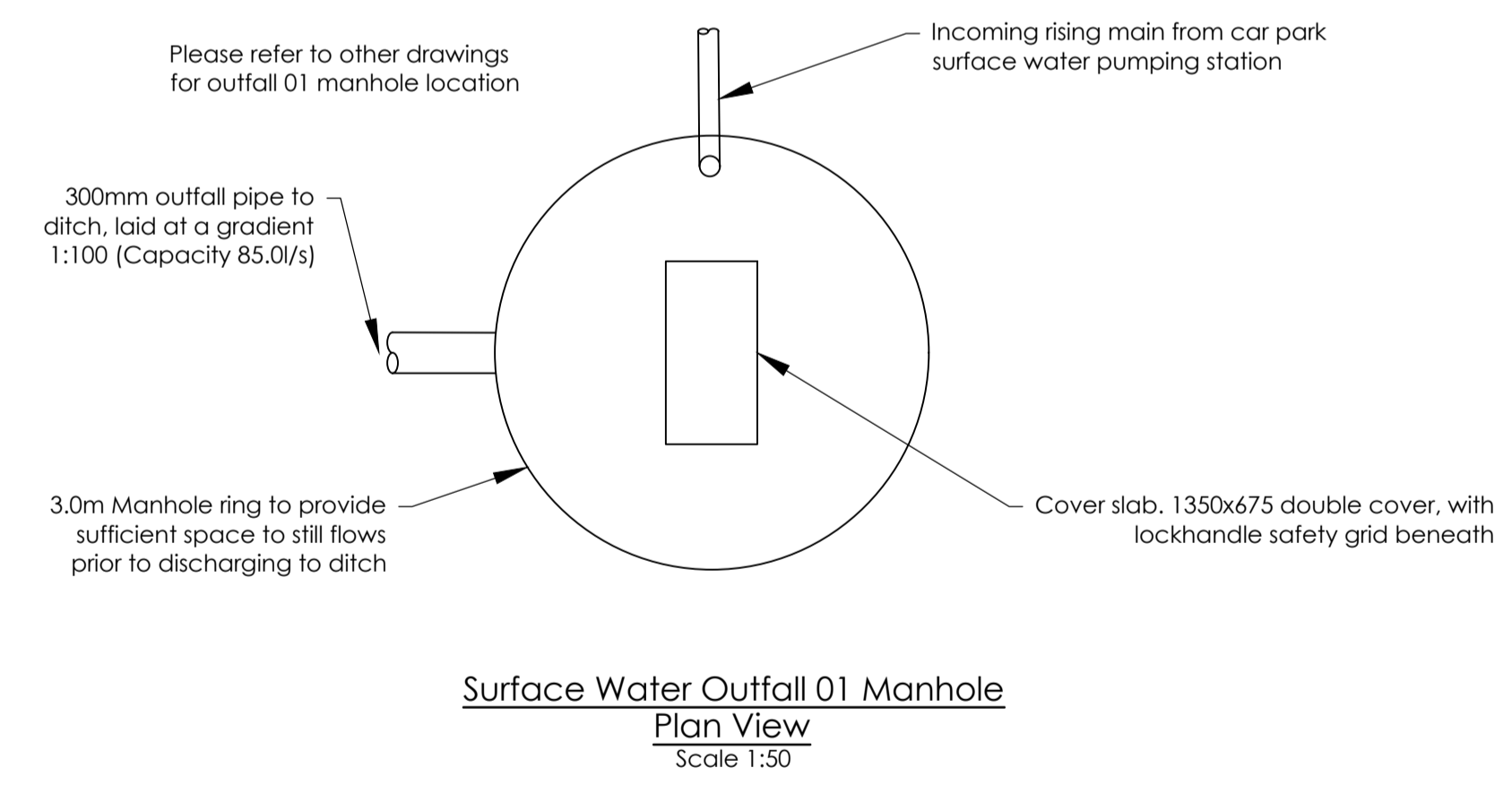


Note: Isometric drawing is for reference only, details may not accurately represent actual design - please see detailed views for technical information

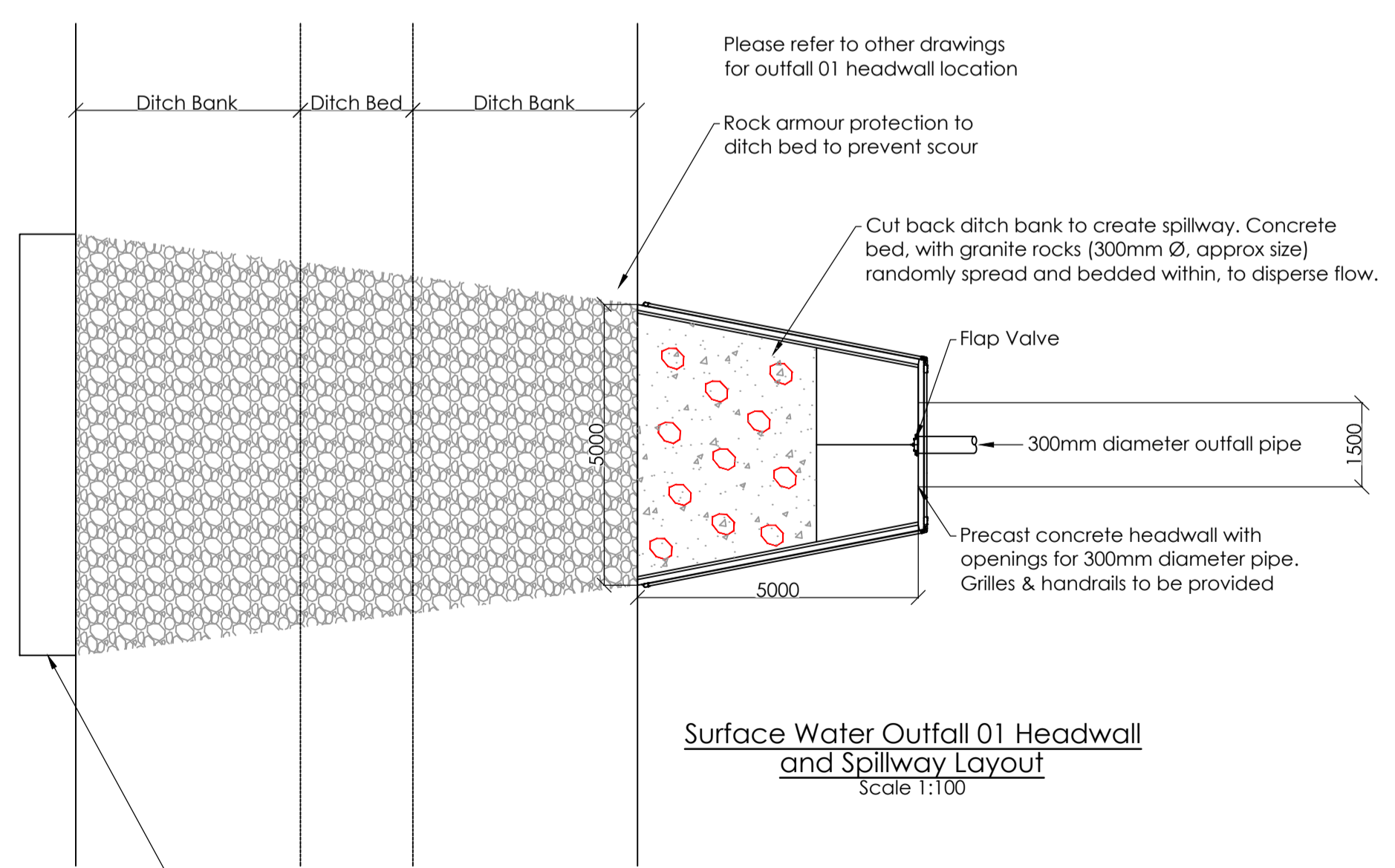
Outfall 01 Headwall 3D View
Scale 1:50



Surface Water Outfall 01 Manhole Section View
Scale 1:50



Surface Water Outfall 01 Manhole Plan View
Scale 1:50




Surface Water Outfall 01 Headwall and Spillway Layout
Scale 1:100

P01	2021.06.16	FIRST ISSUE FOR RIBA STAGE 3 APPROVAL
Rev	Date	Description

This document references the following linked files		
File Reference	Status	Revision
N/A	N/A	N/A

Project Status
RIBA Stage 3


Client  Project
Ministry of Justice **New Prisons Programme**
 Ministry of Justice, 102 Petty France, London, SW1H 9AJ

Project Description / Site
New Prisons Programme
Full Sutton 2

Project Address
Moor Lane
Full Sutton
York, YO41 1PS

Building Type
Site Infrastructure

Drawing Title
Drainage Details-SW Outfall 01

Originator Logo	Drawn By	JAS	Date	14.06.21
	Checked By	PCA	Date	15.06.21
	Approved By	PCA	Date	15.06.21

Drawing Number
664015-1275-PEV-FNC0011-ZZ-DR-C-6509
Delref
D0100

Sheet No.	Scale	Orig. Sheet Size	Rev.
01 of 01	Varies	@ A1	P01

Data Security Classification
OFFICIAL
Suitability
S3