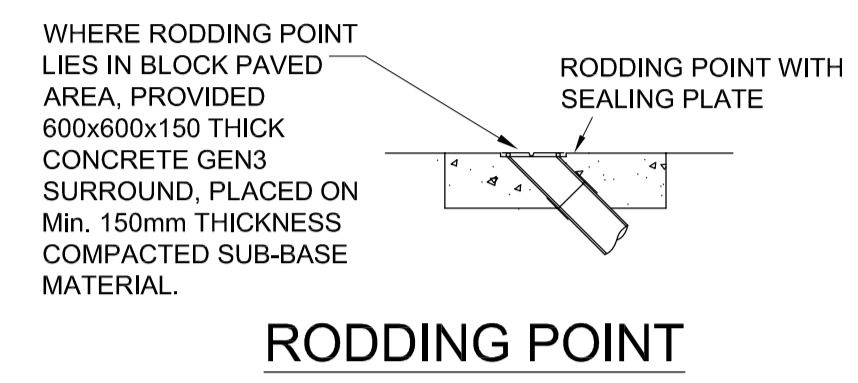
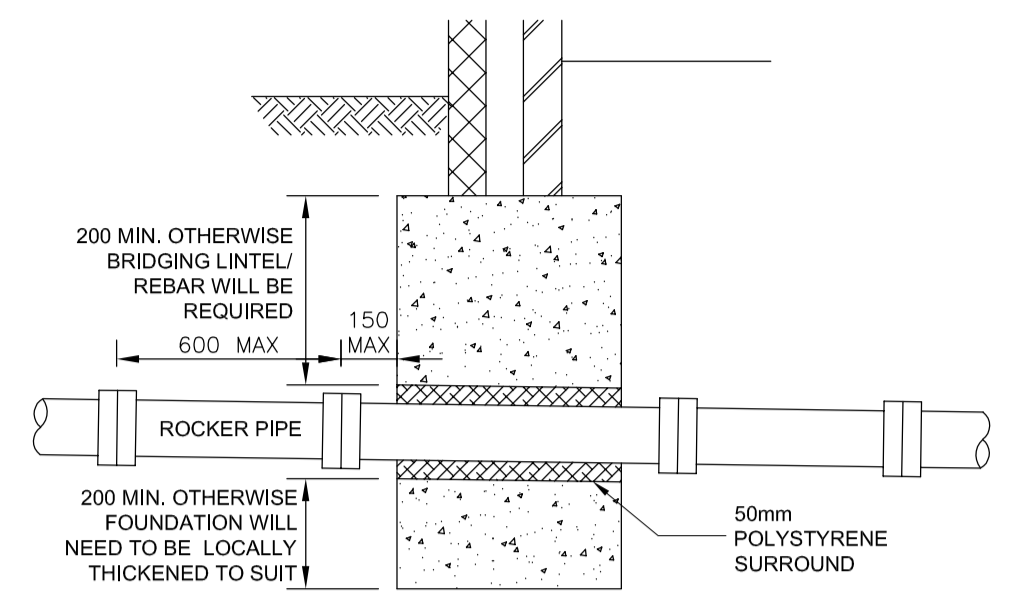


TYPICAL DETAIL OF WAVIN RANGE 450/600 INSPECTION CHAMBERS FOR DEPTHS UPTO 3.0m (REF TYPE 3)



RODDING POINT



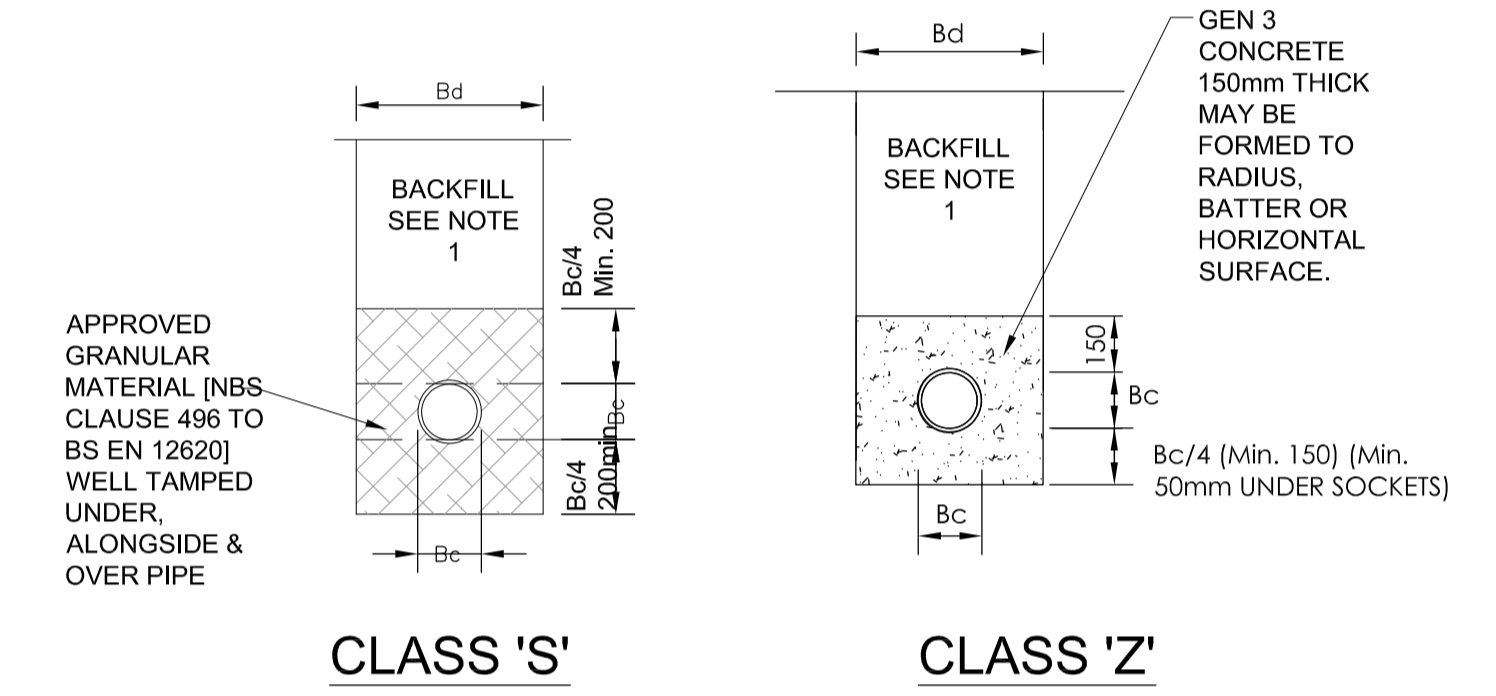
TYPICAL PIPE THROUGH FOUNDATIONS DETAIL

Dia (mm)	Bd (m)	GRANULAR MATERIAL TO NOMINAL SINGLE SIZED AS FOLLOWS:-
100	0.5	100 DIA. 10mm
150	0.6	150 DIA. 10mm/ 14mm.
225	0.7	200 DIA. 10mm/ 14mm/ 20mm.
300	0.85	
375	1.05	
450	1.15	
525	1.20	
600	1.35	
1050	1.80	

NOTE 1
Bd = TRENCH WIDTH AT CROWN OF PIPE - (NARROW TRENCH WIDTH CONDITIONS)
Bc = OUTSIDE DIAMETER OF PIPE

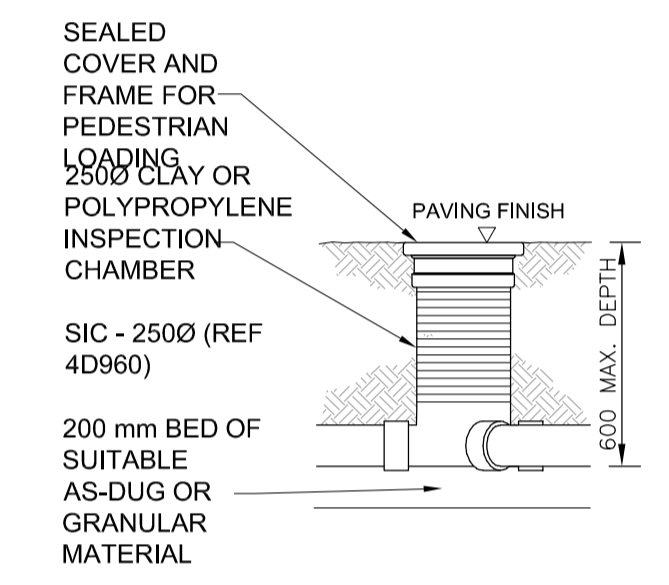
CLASS 'Z' & CLASS 'S' FOR PIPE DIAMETERS 100 TO 525. GENERAL CASE CLASS 'S'.
CLASS 'Z' FOR USE WHERE CROWN OF PIPE IS WITHIN 0.9m OF U/S OF PAVING IN TRAFFICKED AREAS AND 0.6m IN NON TRAFFICKED AREAS.

- BACK FILL TO TRENCHES TO BE SELECTED GRANULAR MATERIAL. MAX. PARTICLE SIZE NOT EXCEEDING 75mm, AND NOT MORE THAN 10% PASSING 75mm SIEVE. MATERIAL SHALL NOT CONTAIN ANY CLAY LUMPS OR ANY OTHER FOREIGN MATTER.
- PIPES TO BE VITRIFIED CLAY TO BSEN 295 OR PVC-U TO BSEN 1404-1:1998 TO CONTRACTOR CHOICE

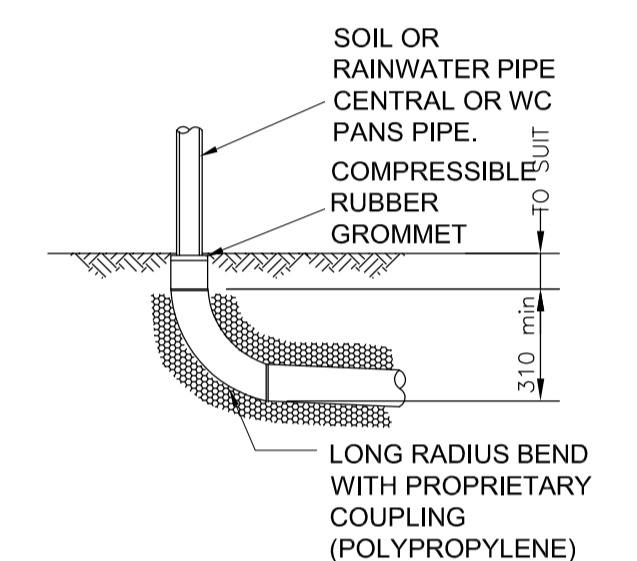


CLASS 'S'

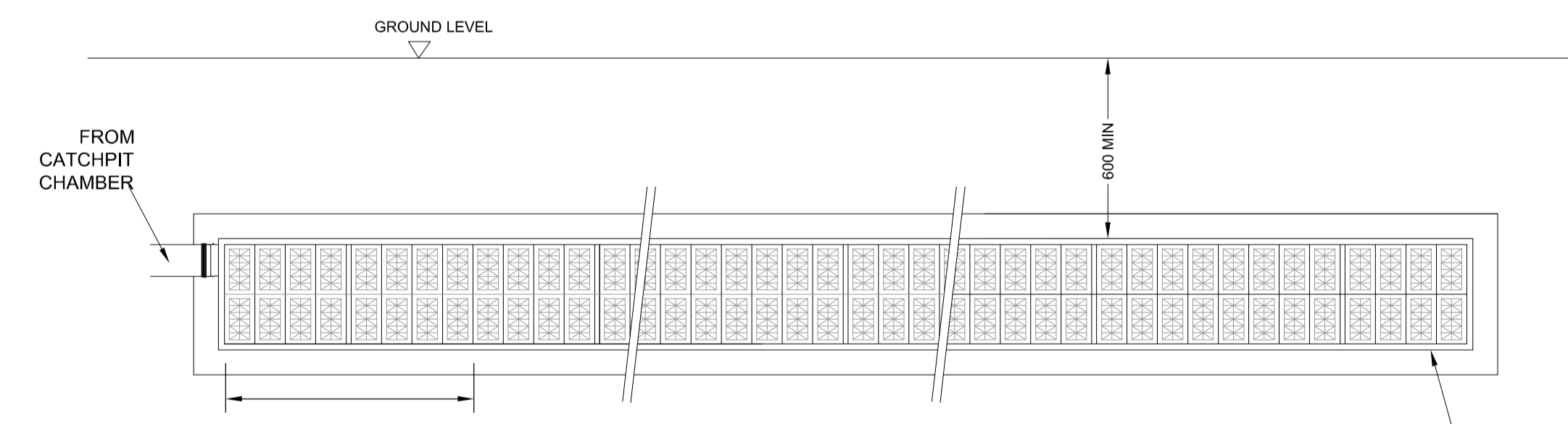
CLASS 'Z'



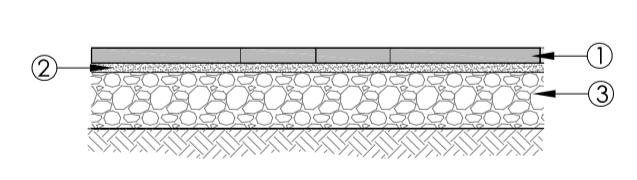
EXTERNAL INSPECTION CHAMBER (IC) FOR DEPTHS UPTO 0.6m



TYPICAL CONNECTION TO SOIL OR RAINWATER PIPES (uPVC)



SURFACE WATER SOAKAWAY DETAILS



PERMEABLE PAVING

- 600x600x40mm THICK PERMEABLE PAVING SLABS TO ARCHITECTS DETAILS.
- 50mm THICK SAND LAYING COURSE.
- 100mm DRAINAGE STONE MIN 35% VOID RATIO TO BS EN 13242 : 2002. BARDON DRAINAGG 20 OR SIMILAR APPROVED

Rev	Date	Description	By	Check	App.
P1	25/08/21	PRELIMINARY ISSUE	JC	LP	LP

COPYRIGHT: THE COPYRIGHT OF THIS DRAWING IS VESTED IN CLANCY CONSULTING. IT SHALL NOT BE USED WITHOUT PERMISSION BY ANY OTHER PARTY FOR ANY PURPOSE. DO NOT SCALE THIS DRAWING ELECTRONICALLY OR MANUALLY. WORK TO DIMENSIONS DIMENSIONS ONLY. ALL DIMENSIONS ARE IN MILLIMETRES UNLESS STATED OTHERWISE. DO NOT TURN ON LAYERS THAT HAVE BEEN TURNED OFF. DO NOT THIN LAYERS THAT HAVE BEEN FROZEN.

Client	NCFC
Project	NCFC ACADEMY SWIMMING POOL & ADMIN BUILDINGS
Office	NORWICH - 01603 305 190
Discipline	CIVIL
Title	PROPOSED DRAINAGE DETAILS

Scale @ A1	1:20	Status	PRELIMINARY
------------	------	--------	-------------



Originator	Job Number	Discipline	Building/Zone
CCL	8/2349	C	ALL
Type	Level	Drawing No.	Revision
DET	DRN	4410	P1

Birmingham 0121 200 1800 - Glasgow 0141 222 1270 - Liverpool 0151 227 5200 - London 020 3077 8970 - Manchester 0161 671 0000 - Newcastle 0191 221 0700 - Norwich 01603 305190 - Plymouth 01752 472075 - Reading 0118 941 7888