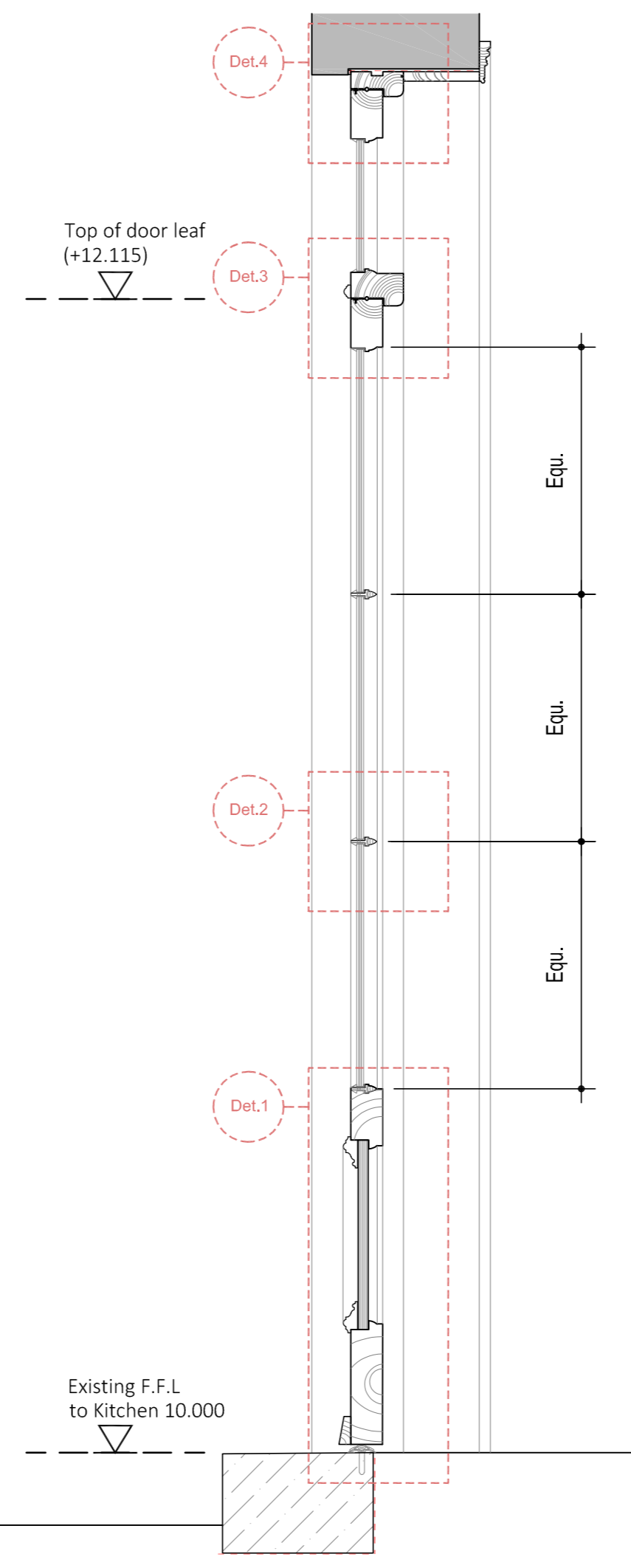
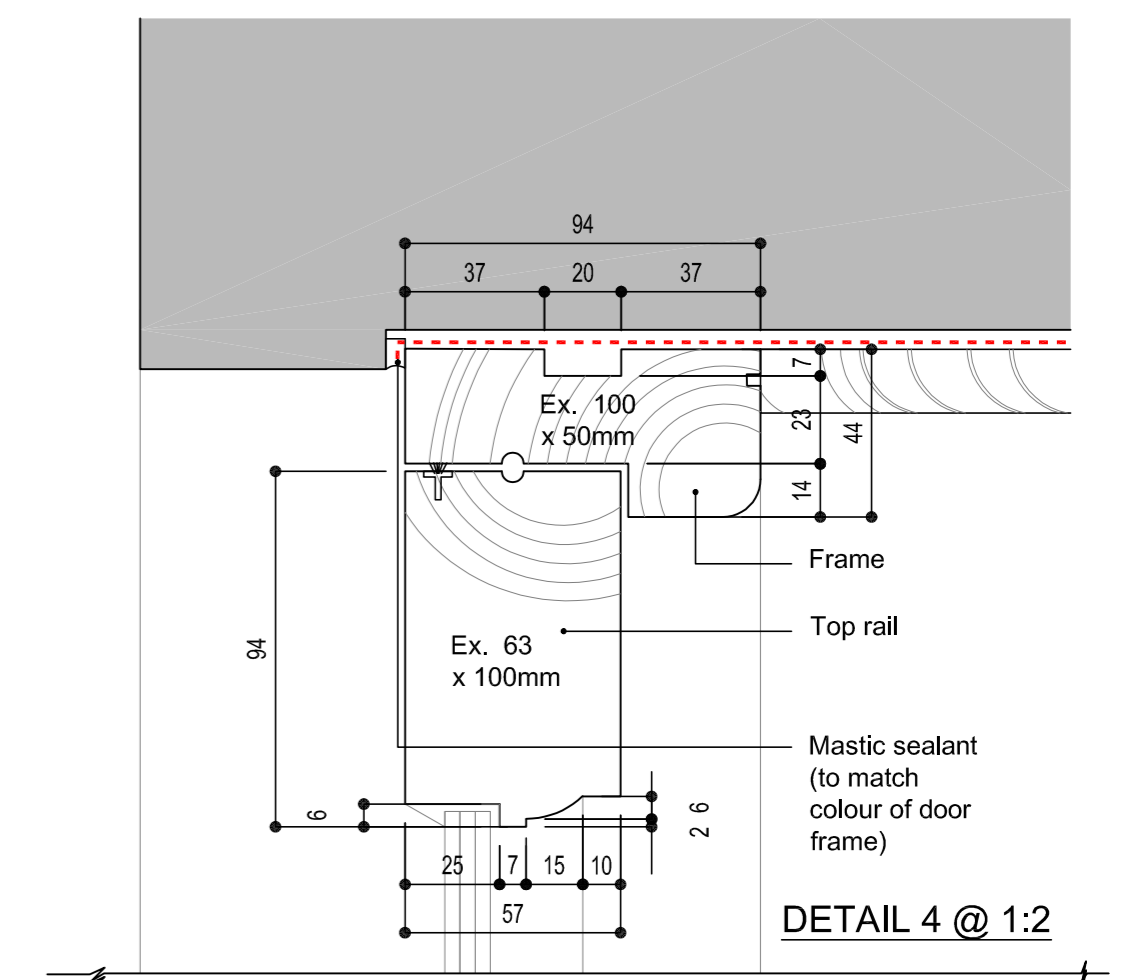


PROPOSED ELEVATION @ 1:10

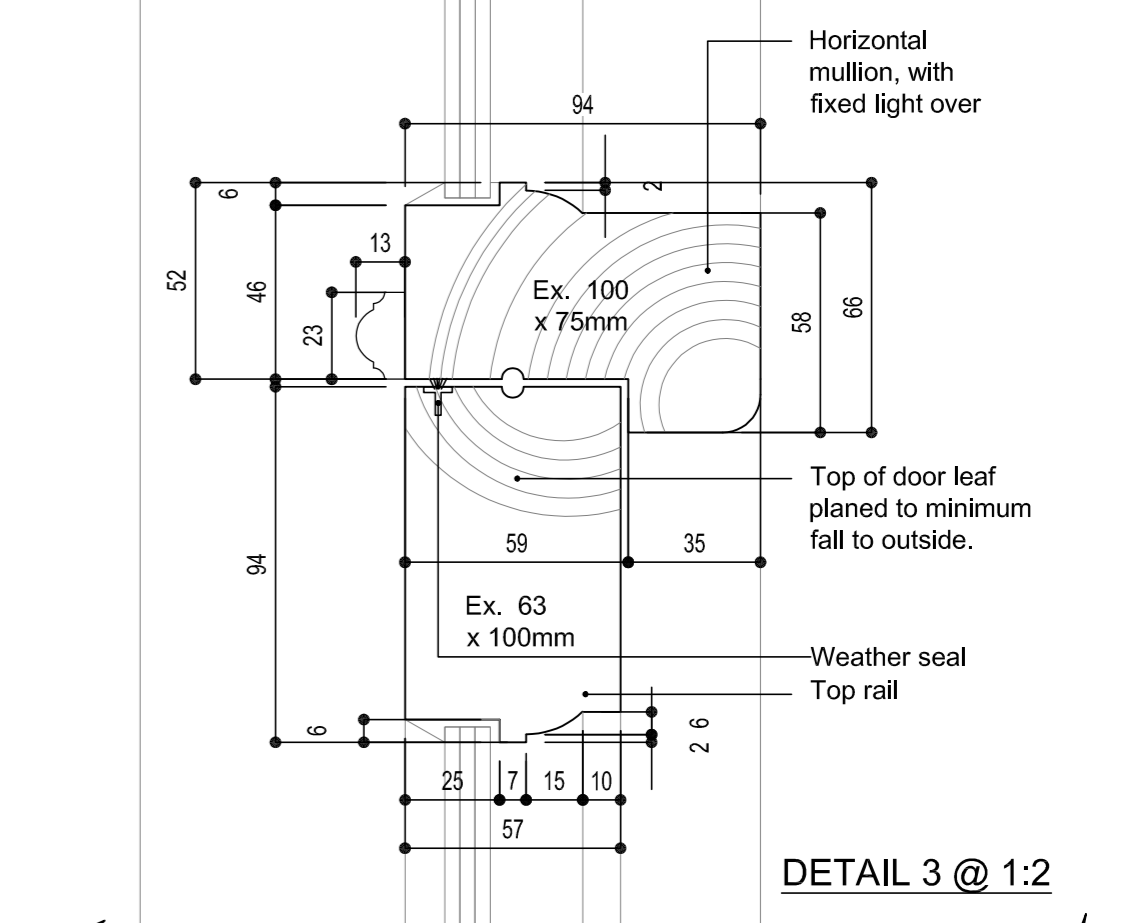
Key
* Toughened in glazed panels below 1500mm from finished floor level.



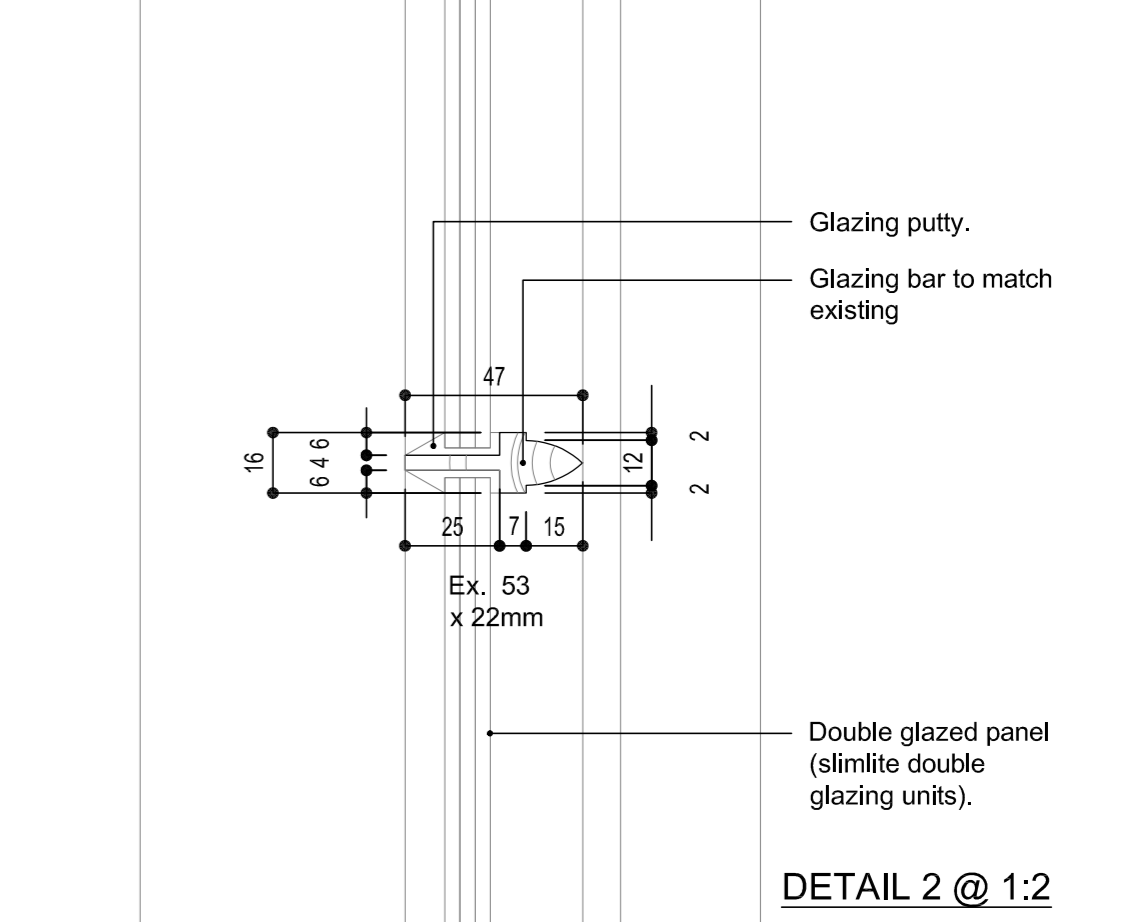
SECTION AA @ 1:10



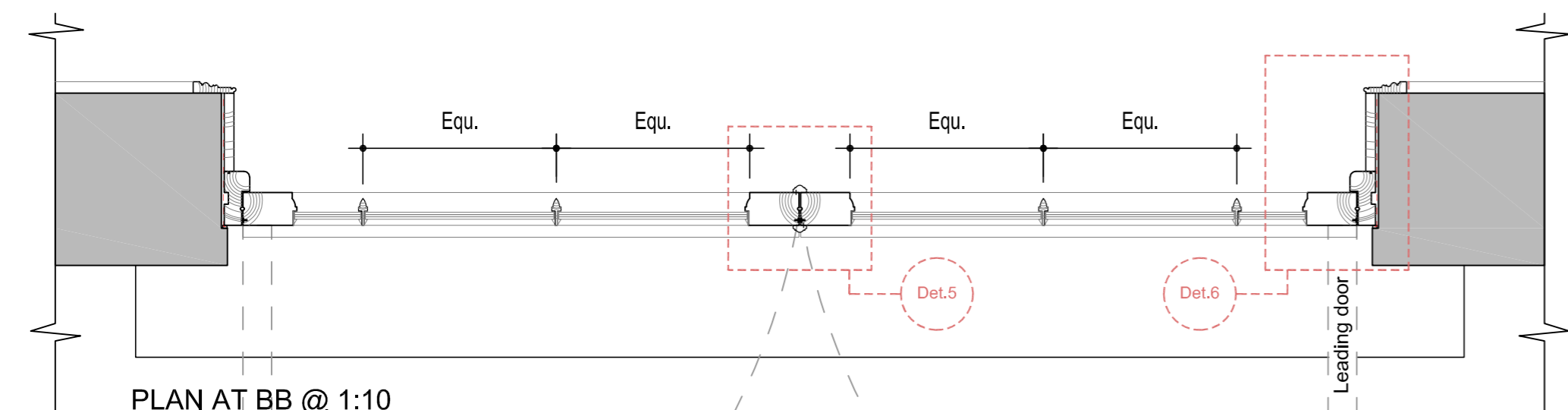
DETAIL 4 @ 1:2



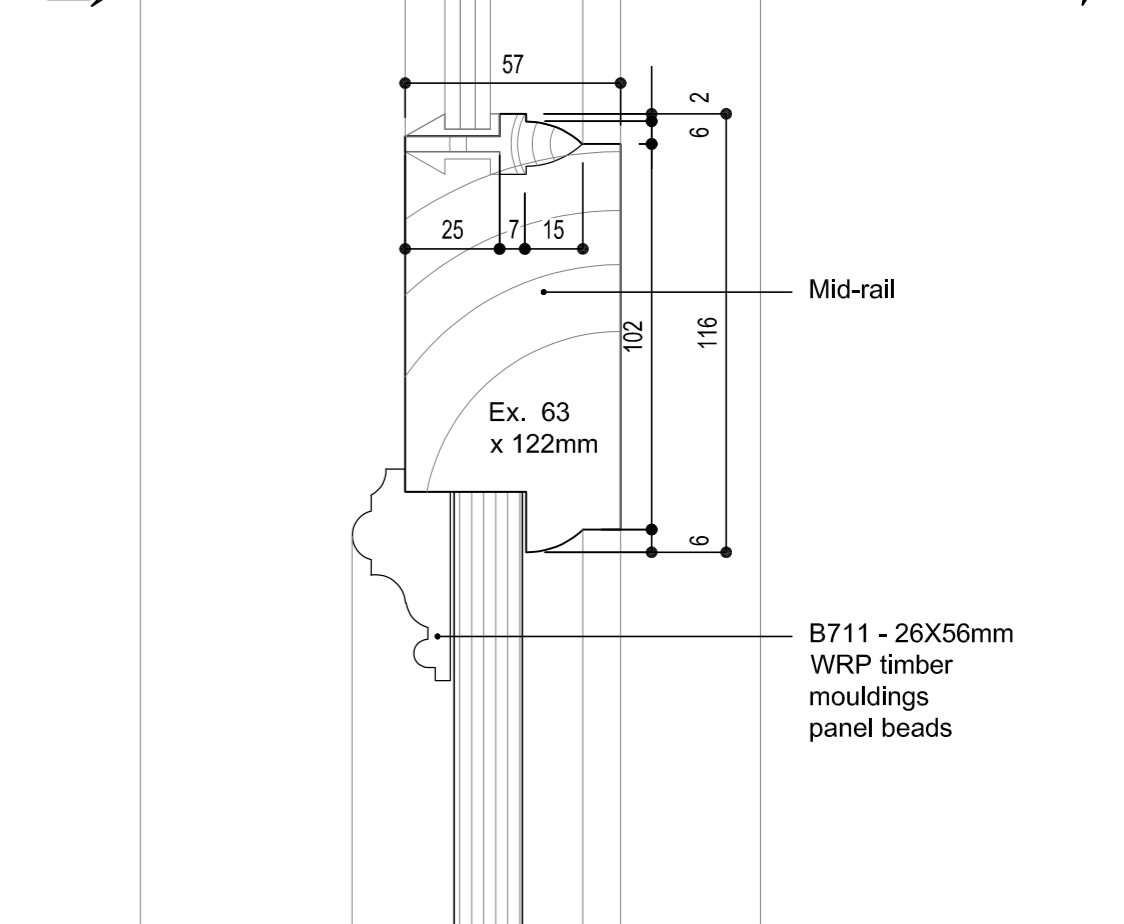
DETAIL 3 @ 1:2



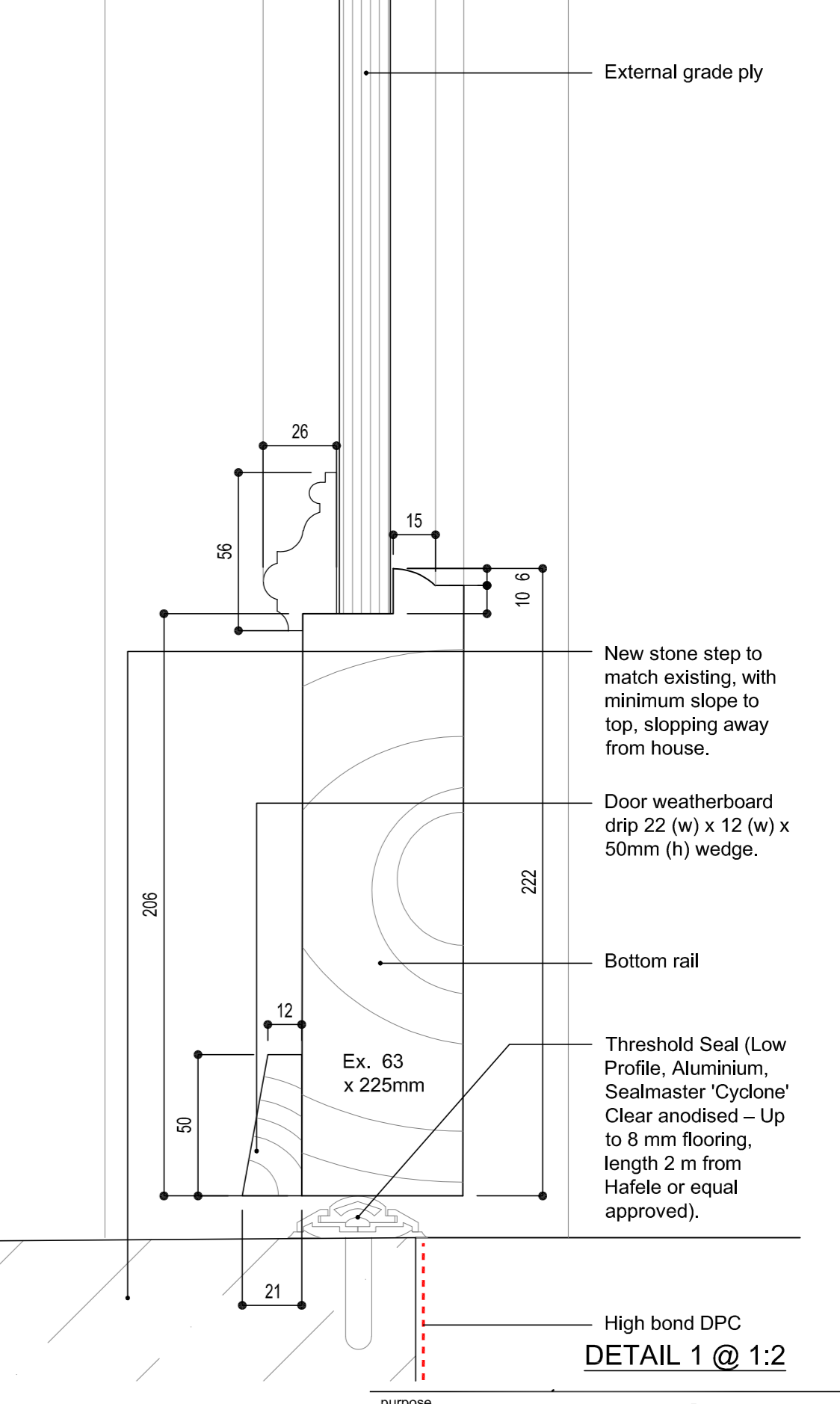
DETAIL 2 @ 1:2



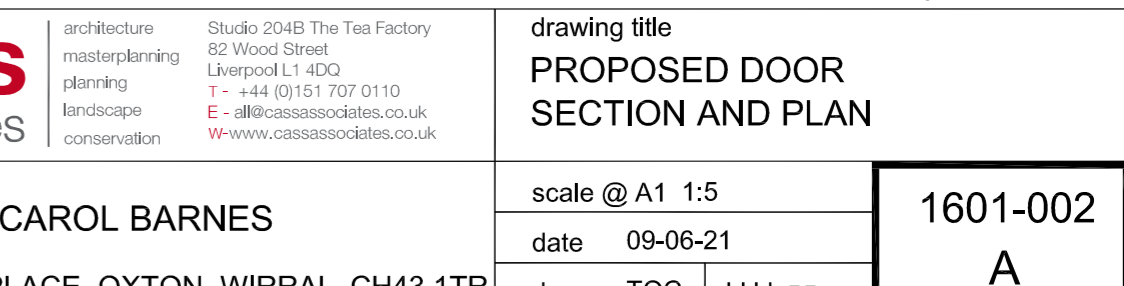
PLAN AT BB @ 1:10



DETAIL 1 @ 1:2

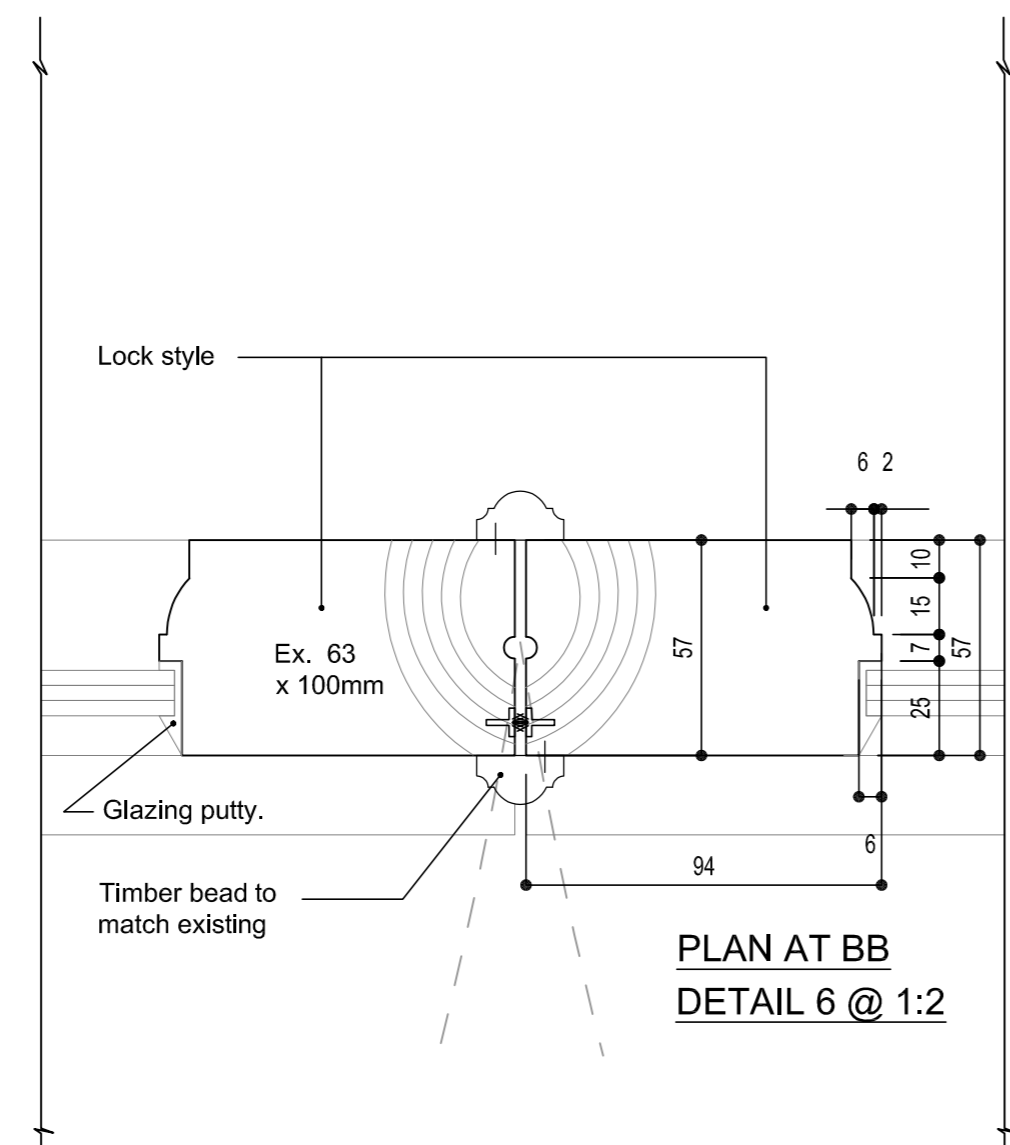


DETAIL 5 @ 1:2

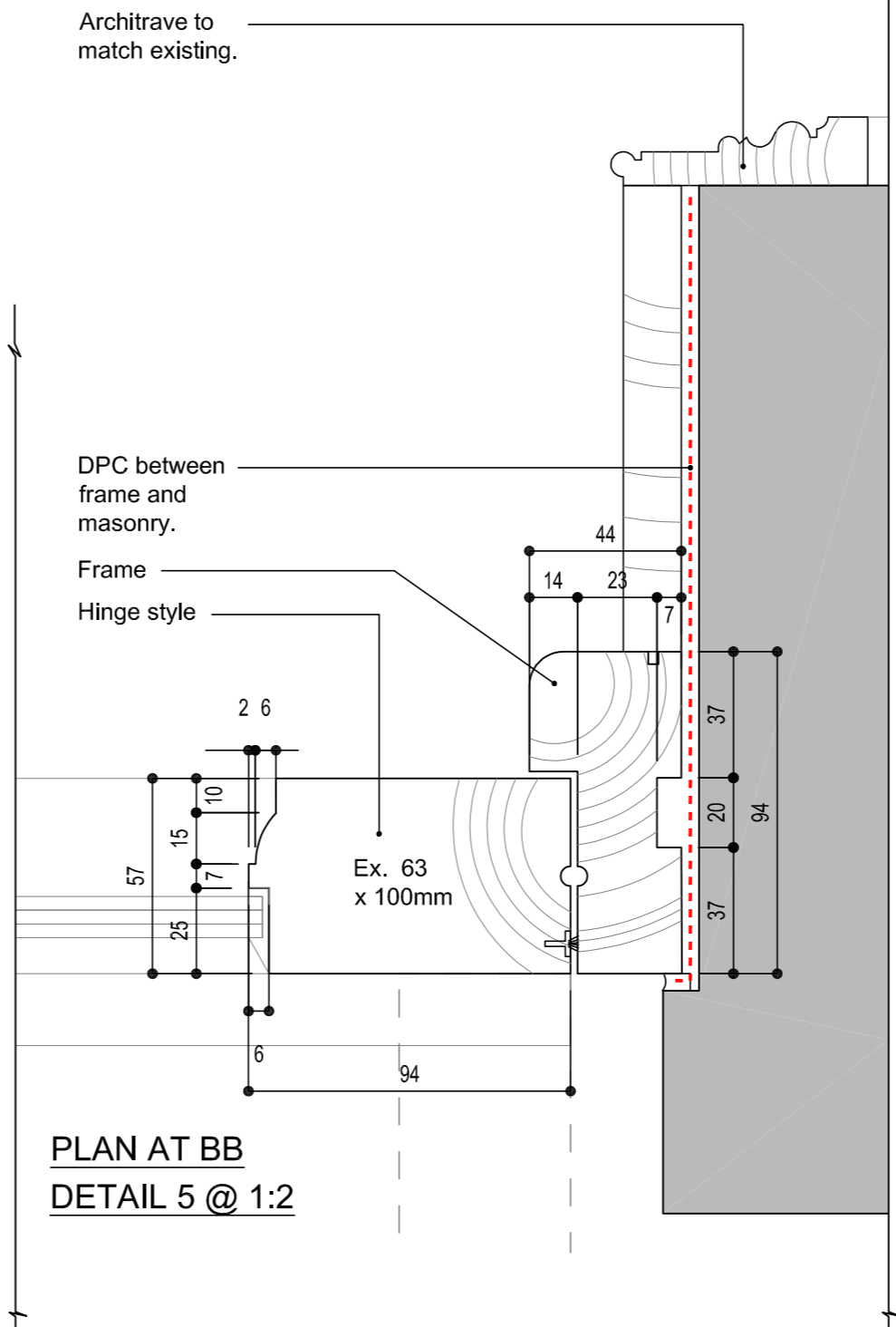


DETAIL 6 @ 1:2

General Notes:
To be read in conjunction with drawing 1601-001.
New hardwood outward opening french doors with fixed light over panel within frame to receive paint finish, white to match existing.
Double glazed panels are to be of 4mm low E glass, with 4mm cavity and 4mm clear glass (slimline double glazing units).
Glazing to be fitted with glazing putty.
Door manufacturer to satisfy himself that the timber and joinery sizes used are sufficient to avoid twisting or distortion in use. Manufacturer to consider how the doors are prevented from being caught by the wind when in use.



PLAN AT BB DETAIL 6 @ 1:2



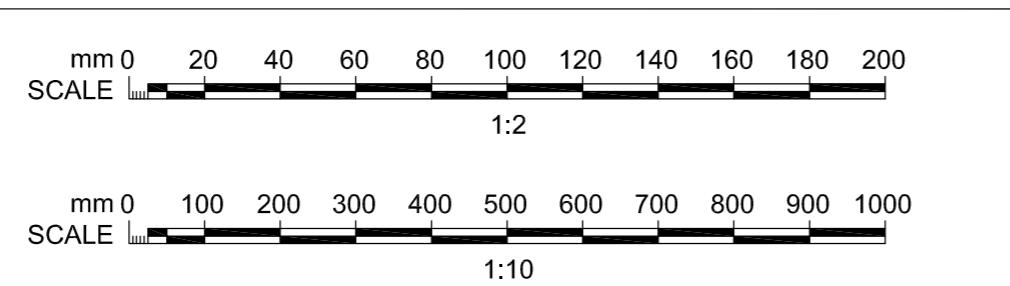
PLAN AT BB DETAIL 5 @ 1:2



DETAIL 1 @ 1:2

PLANNING

Rev	Description	Date	By	Chk'd
A	Updated to reflect increased timber sections.	24-06-21	TOC	RR



PLANNING DRAWING
THIS DRAWING IS FOR PLANNING PURPOSES ONLY AND NOT TO BE USED FOR CONSTRUCTION
DO NOT SCALE FROM THIS DRAWING

CONSTRUCTION ISSUE
DO NOT SCALE FROM THIS DRAWING

Cass associates
client
ANDREW & CAROL BARNES
project
2 CAROLINE PLACE, OXTON, WIRRAL, CH43 1TR

drawing title
PROPOSED DOOR SECTION AND PLAN
scale @ A1 1:5
date 09-06-21
dm TOC ch'k'd RR

1601-002
A