

BIODISC® DOMESTIC SEWAGE TREATMENT PLANT

Kingspan Klargester BioDisc® is ideal for locations where discharge is to sub-surface irrigation (soakaway), or to a suitable watercourse where approved by the Regulator, and where a septic tank will not meet the required standards.

All our robust BioDisc® models cater for properties housing between 4-18 people. The premium BioDisc® sewage treatment system is available in four sizes for all types of domestic applications. For single house applications we offer the BA and BAx models and, for multiple homes, the Kingspan Klargester BB and BC BioDisc® models are ideal.

Because various inlet and outlet options are available, we carry out a free comprehensive site assessment to ensure the correct system model and size for your home.

The BioDisc® can be used in England and Wales for discharge to either a watercourse or soakaway without the need for a licence from the Environmental Agency in 99% of cases.

FEATURES

- › Certified to European Standard BS EN 12566 Part 3.
- › Utilises Rotating Biological Contactor technology.
- › Low running costs.
- › Low level visibility with a lockable child-proof cover - safe for children and pets.
- › Performance certified to achieve 10mg/l BOD, 15mg/l SS and 3.8mg/l ammonia.
- › Delivers better than 95% pollution removal.
- › 10 Year warranty options available when purchased with a service and maintenance plan.
- › Supplied with a control panel and alarm.
- › Fully CE marked in line with the CPR 2013.
- › Managed Flow System.
- › Totally silent in operation.
- › The most stable process in the market.
- › Controls the discharge volume.



Control Panel



Integral Pump (IPS) Model



TECHNICAL SPECIFICATIONS



Unit Size	Single House Compliant with the UK Building Regulations		Multiple Houses	
	BA**	BA-X**	BB**	BC
Population Equivalent	6	9	12	18
Overall Diameter / Width (mm)	1995	1995	1995	2450
Standard Drain Invert Inlet (mm)	750*	750*	750*	600†
Standard Outlet (mm)	835	835	835	685
Depth From Invert To Base (mm)	1400	1400	1400	1820
Pipework Diameter (mm)	110	110	110	110
Sludge Storage Period (Approx)	12 months	9 months	6 months	7 months
Standard Power Supply (mm)	Single Phase	Single Phase	Single Phase	Single Phase
Motor Rating (mm)	50W	50W	50W	75W
Weight (Tonnes) Standard Units (mm)	0.388	0.418	0.418	0.650

Applications which include waste disposal units will require special sizing. Please consult Kingspan Klargester.

* Optional invert depths of 450mm and 1250mm are available.

† Optional invert depth of 1100mm is available.

** Optional integral pump available in BA, BA-X and BB models.

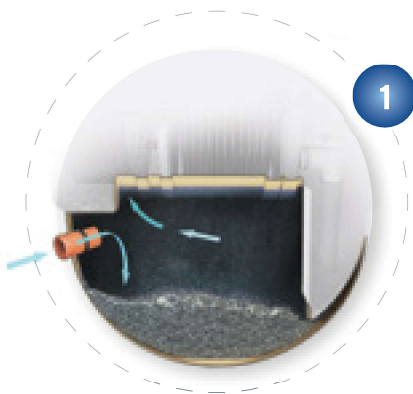
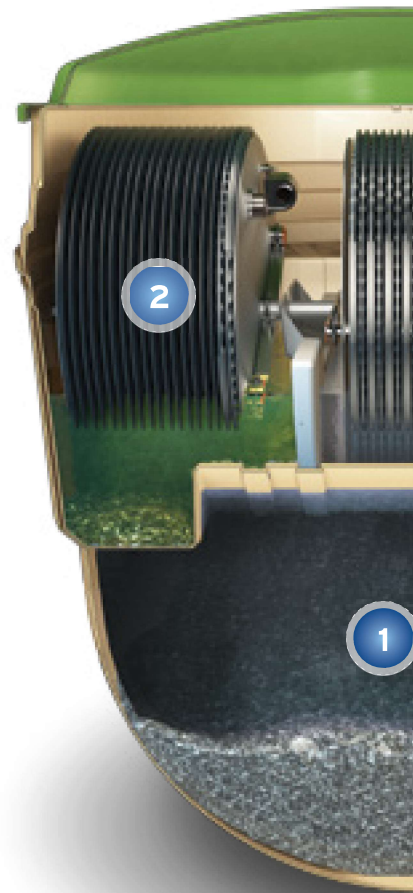


For specialist advice on our range of fully compliant sewage treatment plants, please contact our Kingspan Klargester technical team on klargest@kingspan.com or call **01296 633 000**

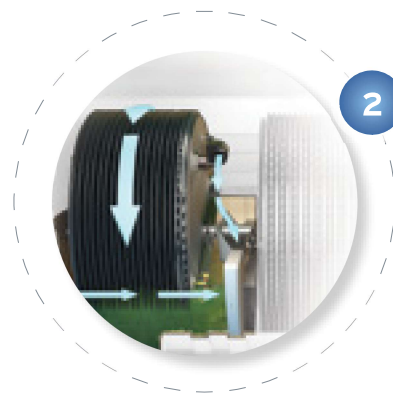
**EXPERTISE,
RELIABILITY
& TRUST**

HOW IT WORKS

The Rotational Biological Contactor (RBC) is central to the operation of each Kingspan Klargester Biodisc®. It supports a biologically active film or biomass onto which aerobic micro-organisms, naturally found in sewage, become established. Natural breakdown of sewage can then occur as described below.



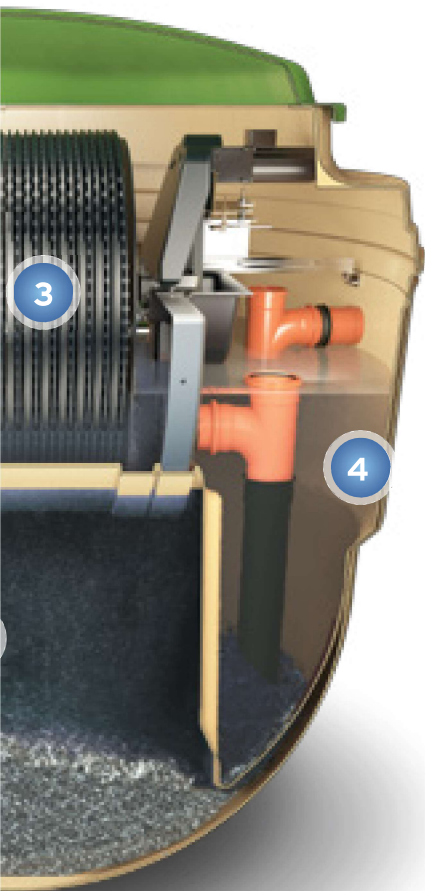
1 PRIMARY SETTLEMENT TANK
Wastewater and sewage flows into the primary settlement tank where the large solids are retained for future removal.



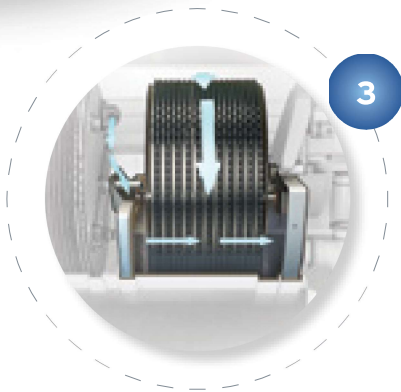
2 FIRST STAGE BIOLOGICAL TREATMENT
The liquor and fine solids then flow into the Biological Treatment Zone 1 where the first stage of treatment occurs.



KINGSPAN KLARGESTER
Expertise, reliability and trust



ROTATING BIOLOGICAL CONTACTOR (RBC) comprises banks of vacuum formed polypropylene media supported by a steel shaft. This is slowly rotated by a low energy consumption electric motor and drive assembly.



3

SECOND STAGE BIOLOGICAL TREATMENT
The liquor is then fed forward at a controlled rate into Biological Treatment Zone 2 for further cleaning.



4

FINAL SETTLEMENT TANK
The clean liquid passes into the final settlement tank where it can be discharged to ground or water course.



For specialist advice on our range of fully compliant sewage treatment plants, please contact our Kingspan Klargester technical team on klargest@kingspan.com or call **01296 633 000**

—
**EXPERTISE,
RELIABILITY
& TRUST**
—