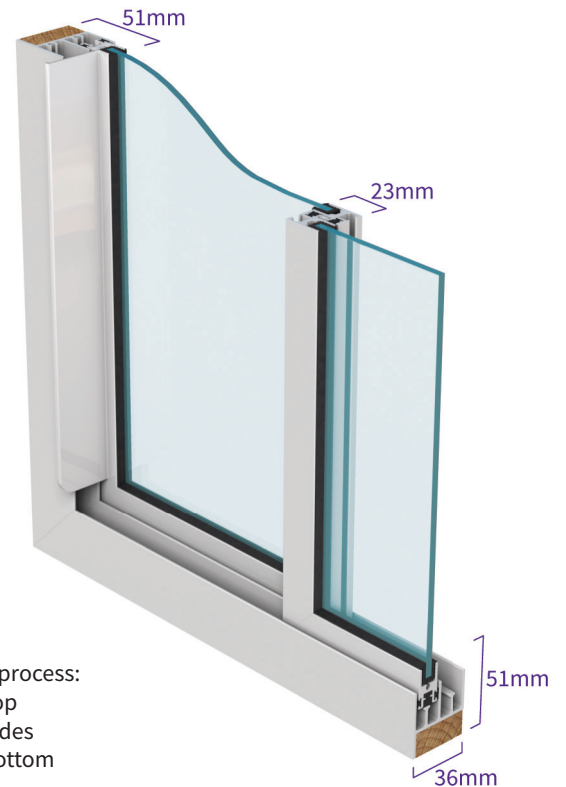
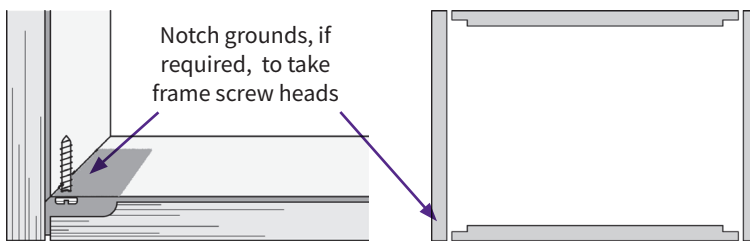
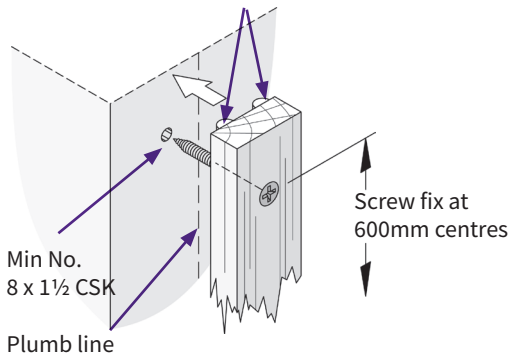


This is a typical fixing detail for Series 10 slimline horizontal sliding units

1. TIMBER GROUNDS

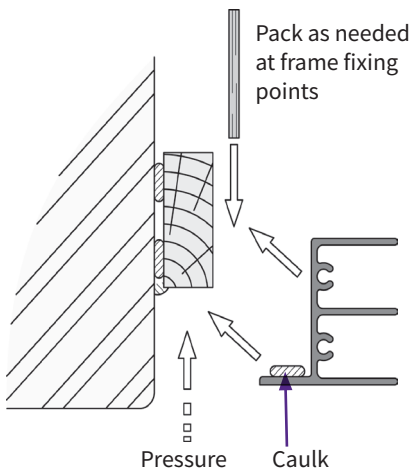
Apply generous joint of acrylic caulk to ensure seal



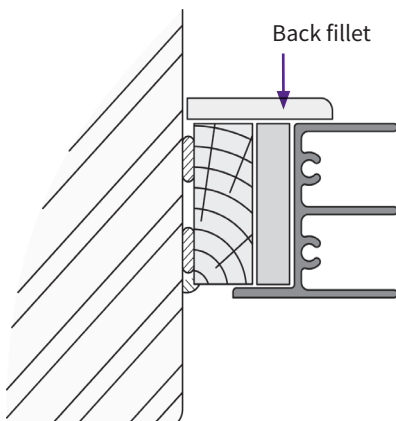
Install process:

1. Top
2. Sides
3. Bottom

2. ALUMINIUM FRAME

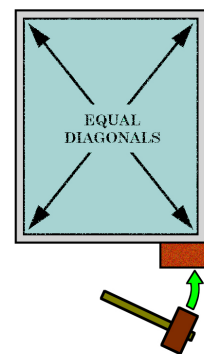


- Apply acrylic caulk to rear of flange flat
- Push frame onto grounds, pack and fix square using No. 6 3/4 s.s. screws
- Carefully dress mitres flat



- Double seal with back fillets when packing exceeds 6mm

3. HORIZONTAL SLIDING SASHES



- Insert sashes and 'square' as necessary using wooden block and hammer
- Vacuum and clean running tracks
- Lubricate with silicone release spray as required
- Clean down frame and glass