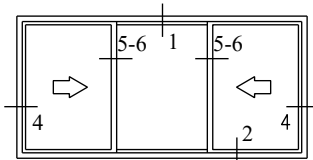
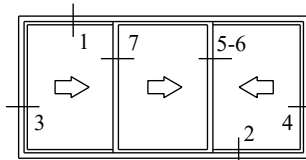


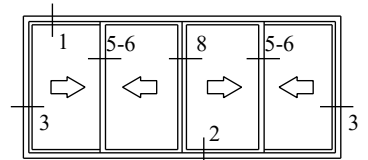
STYLE 2HS



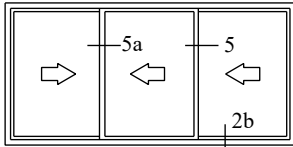
STYLE 3HS



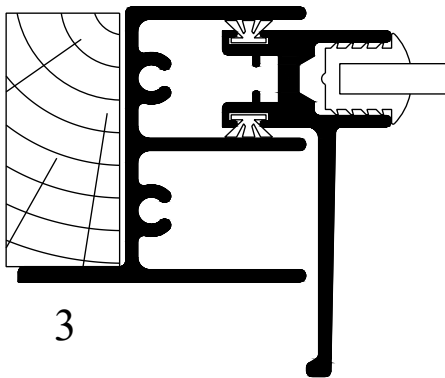
STYLE 3HSC



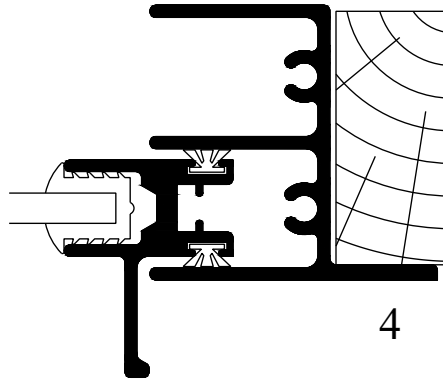
STYLE 4HS



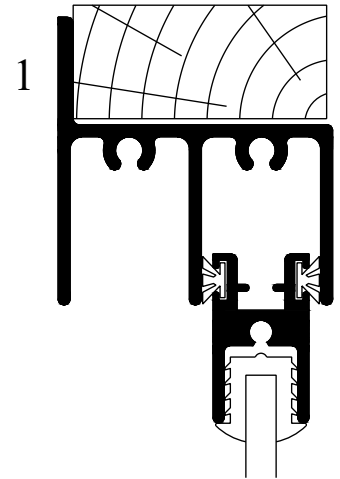
STYLE 3HST



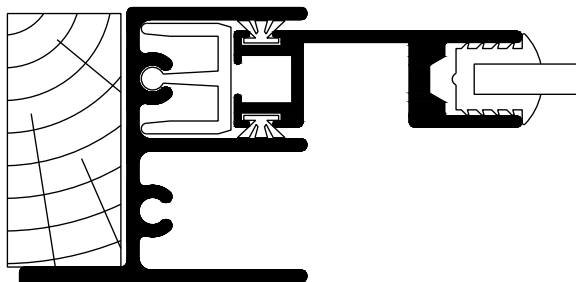
3



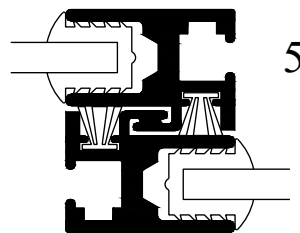
4



1

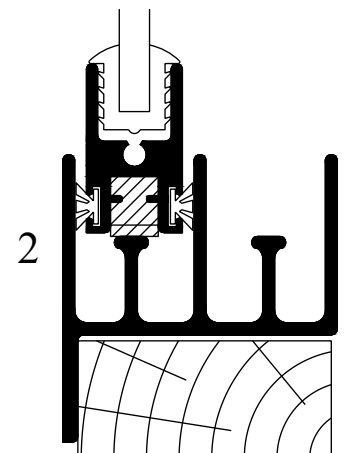


3a RECESSED HANDLE OPTION

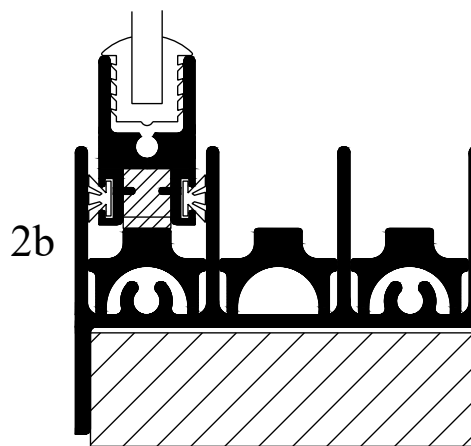


5

Further interlock options on sheet 2

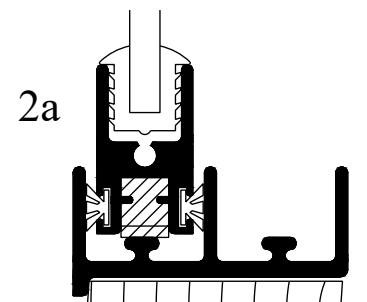


2



2b

TRIPLE TRACK OPTION



2a

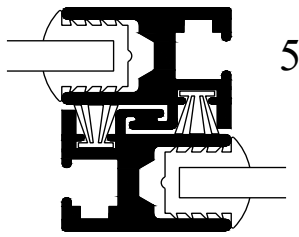
LOW PROFILE TRACK OPTION

Drawings show standard softwood grounds without packing tolerance.
Selectaglaze Ltd. reserves the right to alter any of the sections without prior notice.

SCALE 1:1
(print without scaling)

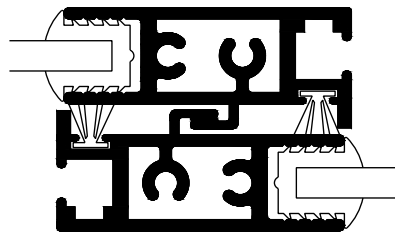
DRAWN	DATE	ISSUE	BD	BE				
S. THOMPSON	06-10-06	C.N.	16-021	20-012				
DESCRIPTION	SERIES 10 SLIMLINE HORIZONTAL SLIDING UNITS							
This document is the property of Selectaglaze Ltd and full copyright is reserved			SHEET 1 OF 2 SHEETS		CAD FILE NAME	DS-210-BE.dwg		
			DATA SHEET NUMBER	DS-210			ISSUE BE	

STANDARD INTERLOCK



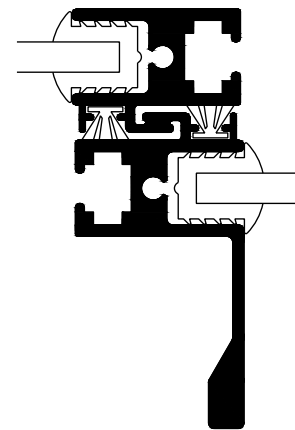
5

BOX INTERLOCK (OPTION)

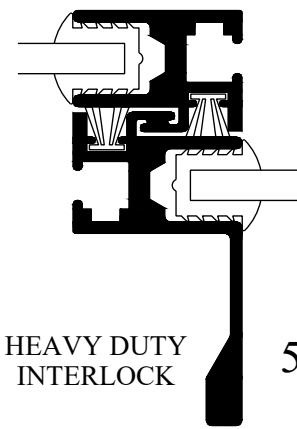


6

REVERSE INTERLOCK

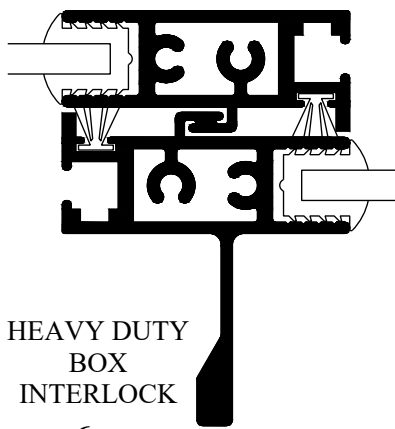


7



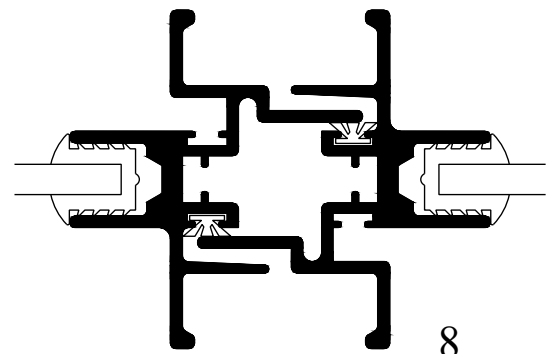
HEAVY DUTY INTERLOCK

5a



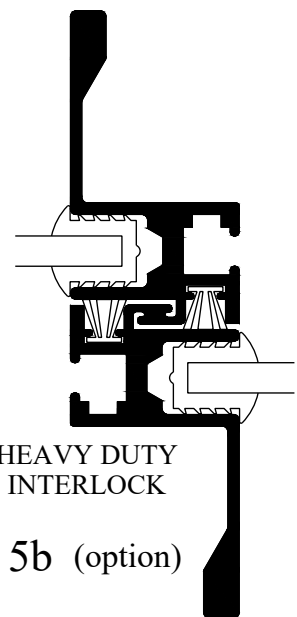
HEAVY DUTY BOX INTERLOCK

6a



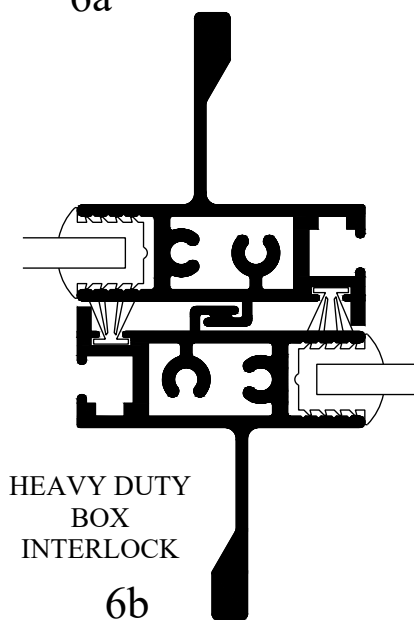
BUTT INTERLOCK

8



HEAVY DUTY INTERLOCK

5b (option)



HEAVY DUTY BOX INTERLOCK

6b

SCALE 1:1
(print without scaling)

Selectaglaze Ltd. reserves the right to alter any of the sections without prior notice.

DRAWN	DATE	ISSUE	BD	BE				
S. THOMPSON	06-10-06	C.N.	16-021	20-012				
DESCRIPTION	SERIES 10 SLIMLINE HORIZONTAL SLIDING UNITS							
This document is the property of Selectaglaze Ltd and full copyright is reserved			SHEET 2 OF 2 SHEETS		CAD FILE NAME	DS-210-BE.dwg		
			DATA SHEET NUMBER				ISSUE	BE