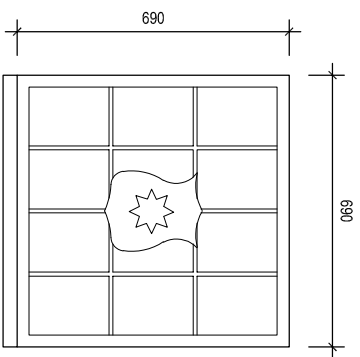
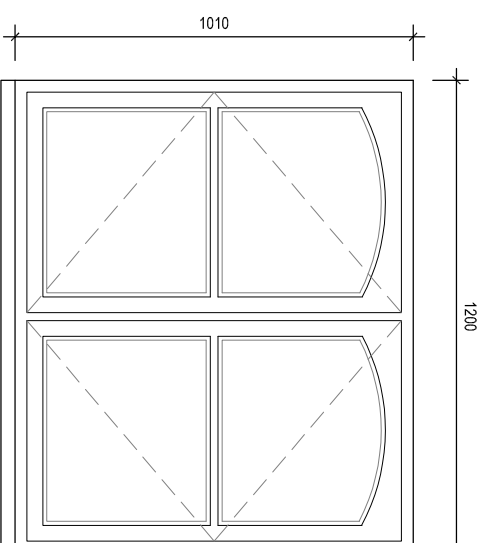
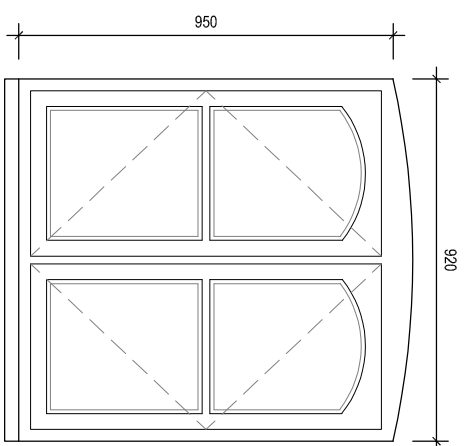
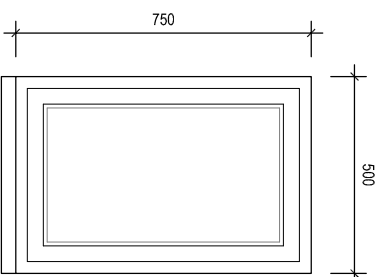


**DETAIL 7B**  
Glass from existing window to be carefully removed & fitted into new flush timber window



**DETAIL 7**  
Conservation type flush timber window with painted finish



**Window W1:**

Carefully remove glazing & lead bars from existing window & retain for re-use  
Existing frame to be discarded  
New Frame: 690 x 690mm to match original opening  
Frame Material: Hardwood  
Sill: Hardwood  
Frame & Sill Finish: 1no base coat & 2no top coats of exterior timber paint  
Glazing: Re-install retained glazing & lead bars

**Window W2:**

Type: Flush Casement  
Overall size: 500 x 750mm to match original opening  
Frame Material: Hardwood  
Sill: Hardwood  
Frame & Sill Finish: 1no base coat & 2no top coats of exterior timber paint  
Openers: None  
Glazing: 12mm slimline double glazed units comprising 4mm Low E glass externally, 4mm argon filled cavity, 4mm clear glass internally, with warm edge spacer bars  
U Value: 1.4 W/m<sup>2</sup>K  
Acoustic Performance: 30dB sound reduction  
Security: n/a

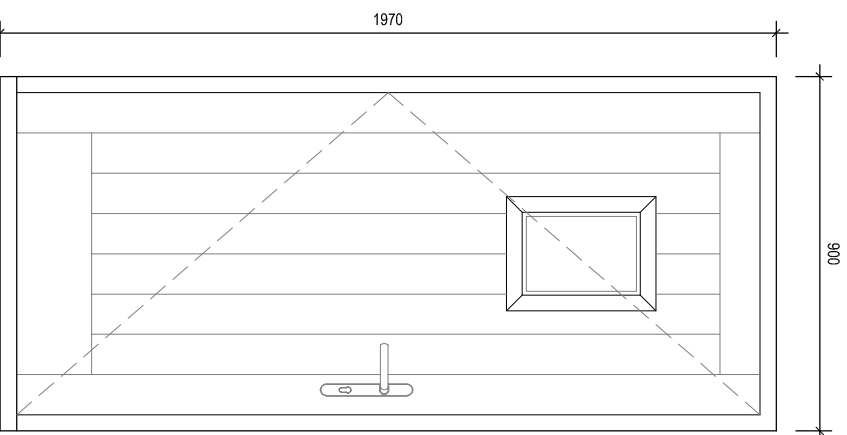
**Windows W3 & W4:**

Type: Flush Casement  
Overall size: 920 x 950mm with timber infill above to match original opening  
Frame Material: Hardwood  
Sill: Hardwood  
Frame & Sill Finish: 1no base coat & 2no top coats of exterior timber paint  
Openers: 2no  
Glazing: 12mm slimline double glazed units comprising 4mm Low E glass externally, 4mm argon filled cavity, 4mm clear glass internally, with warm edge spacer bars  
U Value: 1.4 W/m<sup>2</sup>K  
Acoustic Performance: 30dB sound reduction  
Security: Multi-point locking system

**Window W5:**

Type: Flush Casement  
Overall size: 1200 x 1010mm new opening  
Frame Material: Hardwood  
Sill: Hardwood  
Frame & Sill Finish: 1no base coat & 2no top coats of exterior timber paint  
Openers: 2no  
Glazing: 12mm slimline double glazed units comprising 4mm Low E glass externally, 4mm argon filled cavity, 4mm clear glass internally, with warm edge spacer bars  
U Value: 1.4 W/m<sup>2</sup>K  
Acoustic Performance: 30dB sound reduction  
Security: Multi-point locking system

REFER TO DRAWING 204 FOR WINDOW & DOOR DETAILS  
REFER TO DRAWINGS 102 & 103 FOR WINDOW & DOOR LOCATIONS



**Door D1:**

Type: Flush Casement  
Overall size: 900 x 1970mm, new opening  
Frame Material: Hardwood  
Sill: Hardwood  
Frame & Sill Finish: 1no base coat & 2no top coats of exterior timber paint  
Openers: None  
Glazing: 12mm slimline double glazed units comprising 4mm Low E glass externally, 4mm argon filled cavity, 4mm clear glass internally, with warm edge spacer bars  
U Value: 1.6 W/m<sup>2</sup>K  
Acoustic Performance: 30dB sound reduction  
Security: Multi-point locking system

Head Office  
29 Broad Street  
Newtown  
Powys

SY16 2BQ  
t - 01686 610311  
w - www.hughesarchitects.co.uk

Any surveyed information incorporated within this drawing cannot be guaranteed as accurate unless confirmed by a fixed dimension. All dimensions are in millimetres unless noted otherwise.

Any discrepancies should be reported immediately.

This drawing is COPYRIGHT. It must not be reproduced or disclosed to third parties without our prior permission. Do not scale from this drawing, or, interrogate and use electronic information.

**Project :- Proposed Extension & Alterations to Cwm Gwyn, Llanbrynmair, Powys, SY19 7DY**

**Drawing Status :- Stage 3a: Planning**

**Scale :- 1:20@A3**

**Date :- 03.08.21**

**Rev :-**

**Drawing Title :- Proposed Details Sheet 4**

**Drawn by :- NB**

**Checked :- DH**

**Drawing No :- U064.3a.3.203**

**Rev :-**