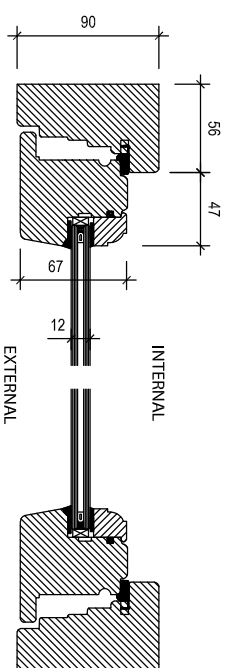
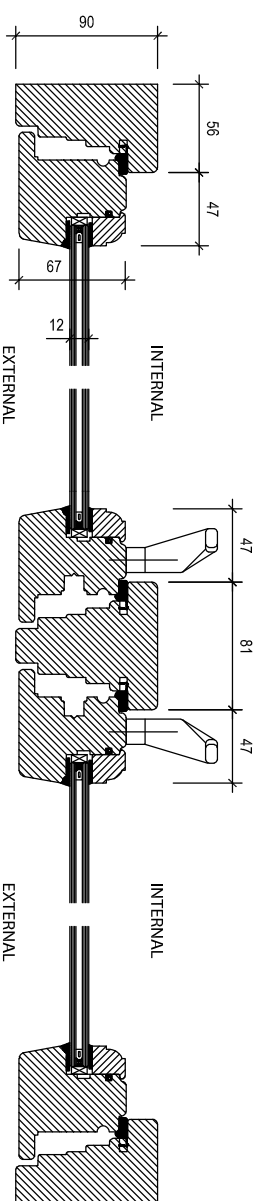


DETAIL 7
Conservation type flush timber
window with painted finish

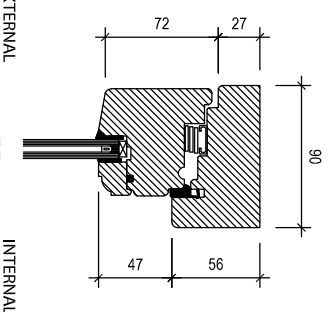
WINDOW W2 - PLAN DETAILS



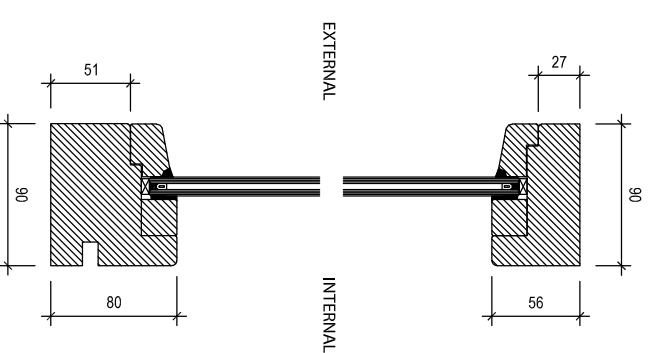
WINDOWS W3, W4, W5 - PLAN DETAILS



WINDOW W2 - SECTION DETAILS



WINDOWS W3, W4, W5 - SECTION DETAILS

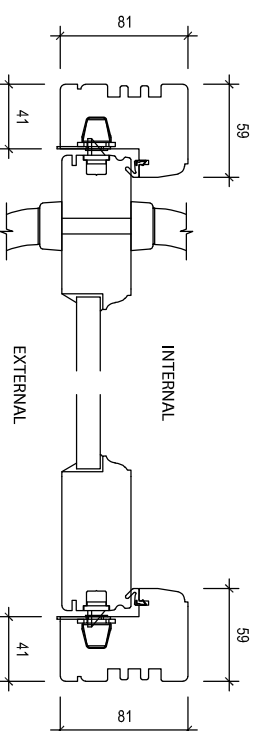


This drawing is COPYRIGHT. It must not be reproduced or disclosed to third parties without our prior permission. Do not scale from this drawing, or, interrogate and use electronic information.

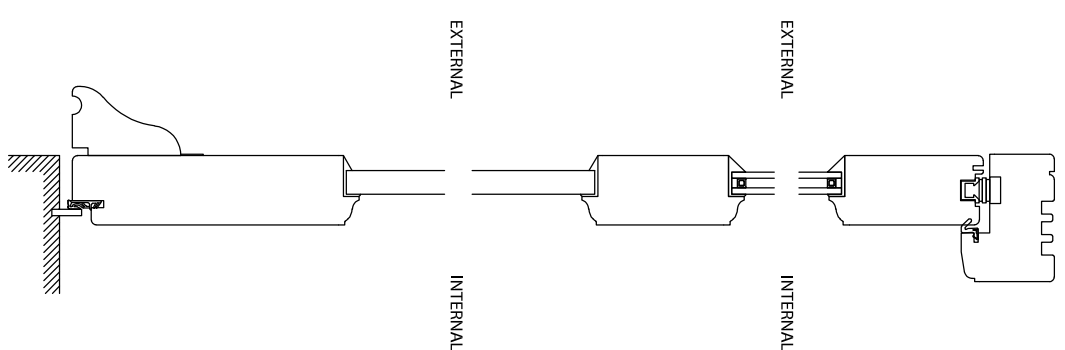
Any discrepancies should be reported immediately.

Any surveyed information incorporated within this drawing cannot be guaranteed as accurate unless confirmed by a fixed dimension. All dimensions are in millimetres unless noted otherwise.

DOOR D1 - PLAN DETAILS



DOOR D1 - SECTION DETAILS



All Windows & Doors:
Window Type: Flush Casement
Frame Material: Hardwood
Sill: Hardwood, flush
Frame & Sill Finish: 1no base coat & 2no top coats of exterior timber paint
Glazing: 12mm slimline double glazed units comprising 4mm Low E glass externally, 4mm argon filled cavity, 4mm clear glass internally, with warm edge spacer bars

**Project :- Proposed Extension & Alterations to
Cwm Gwyn, Llanbrynmair, Powys, SY19 7DY**

Drawing Status :- Stage 3a: Planning

Scale :- 1:20@A3

Drawn by :- NB

Drawing Title :- Proposed Details Sheet 5

Date :- 03.08.21

Checked :- DH

Drawing No :- U064.3a.3.204

Rev :-

-