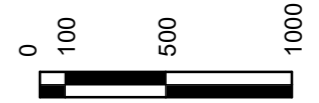




Preservation Windows  
6 Telford Place  
Lenziemill  
Cumbernauld  
G67 2NH

41 Kingsborough Gardens  
Glasgow  
G12 9NH



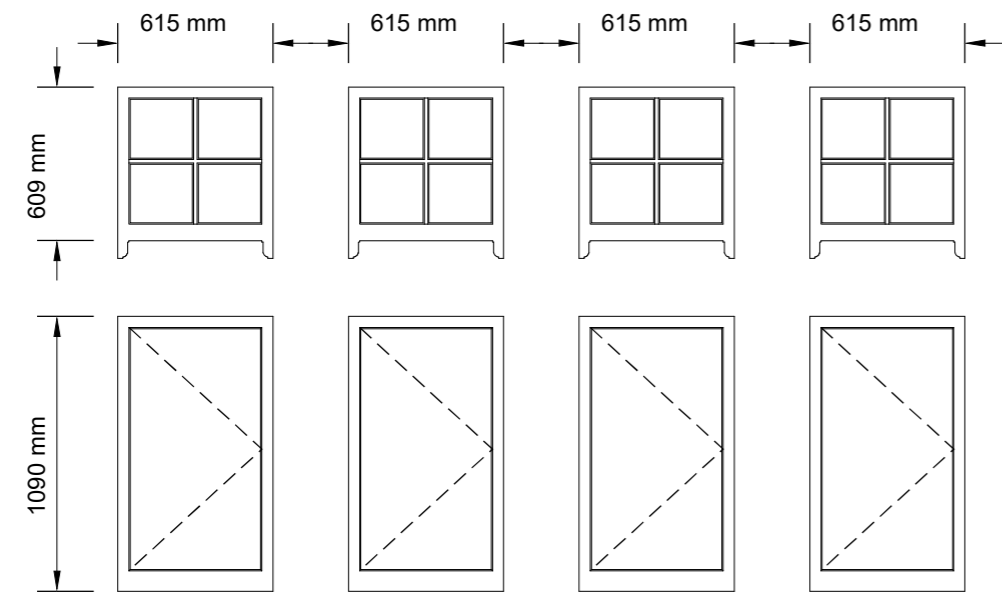


scale 1:30 @ A3

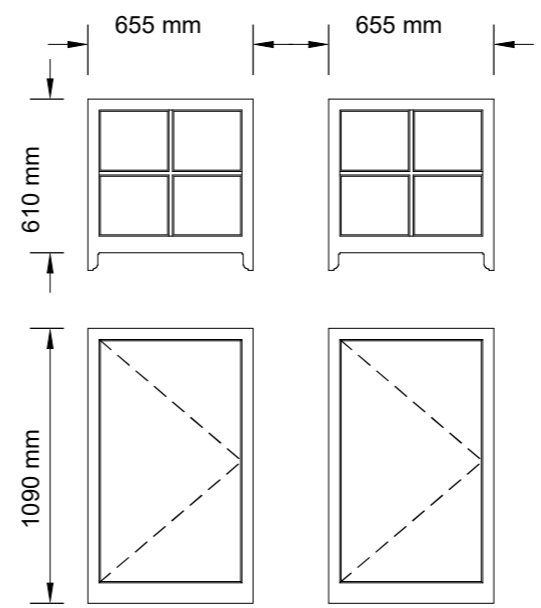
All windows will be fitted with a 4/12/4 low E gas filled unit to achieve a 'U' value of 1.4.

Exterior of windows will be painted to match existing finish.

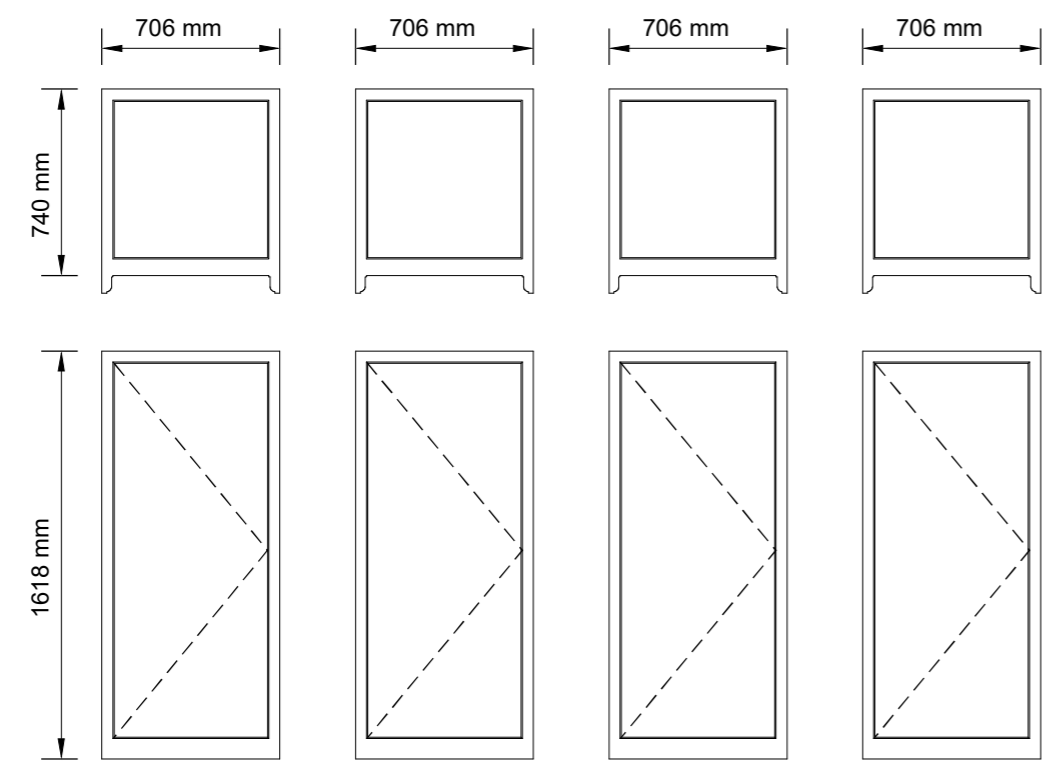
Information for bottom windows on sheet name Openers



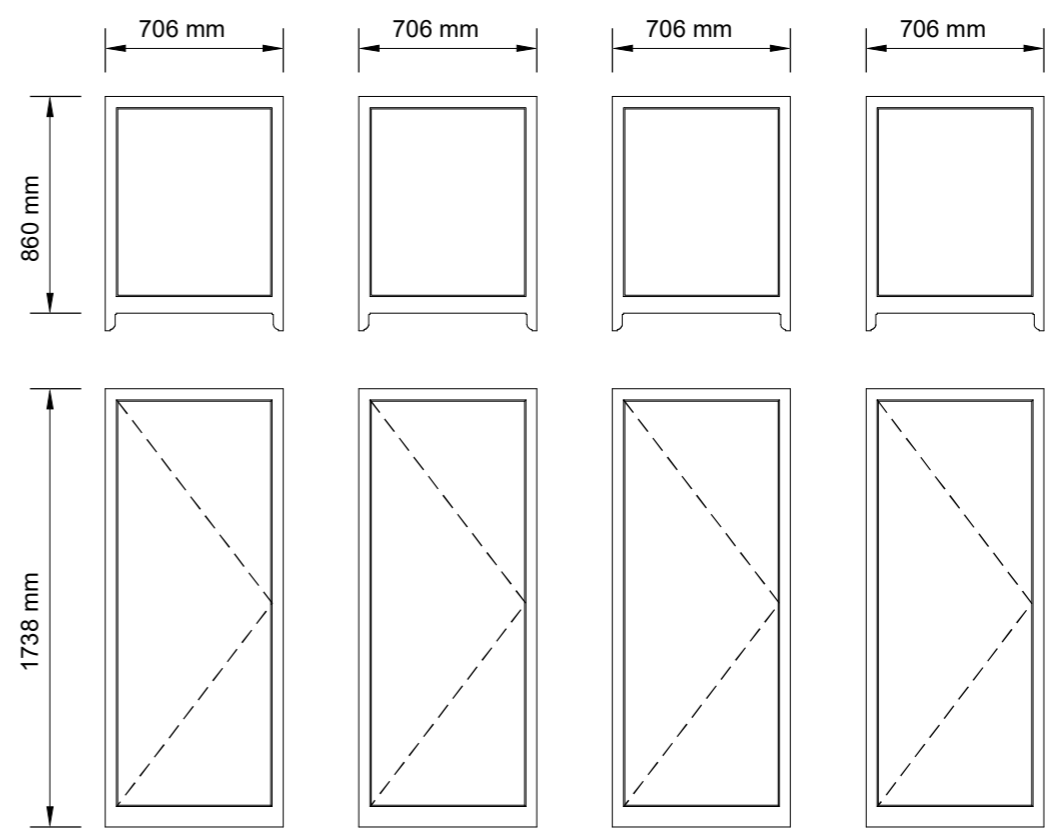
Reference : A



Reference : B



Reference : C



Reference : D



Preservation Windows  
6 Telford Place  
Lenziemill  
Cumbernauld  
G67 2NH

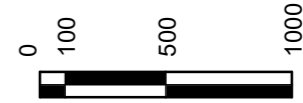
CLIENT  
41 Kingsborough Gardens  
Glasgow  
G12 9NH

PROJECT  
McPhee

ISSUE  
01/09/2021

DRAWN BY  
Iain Ritchie

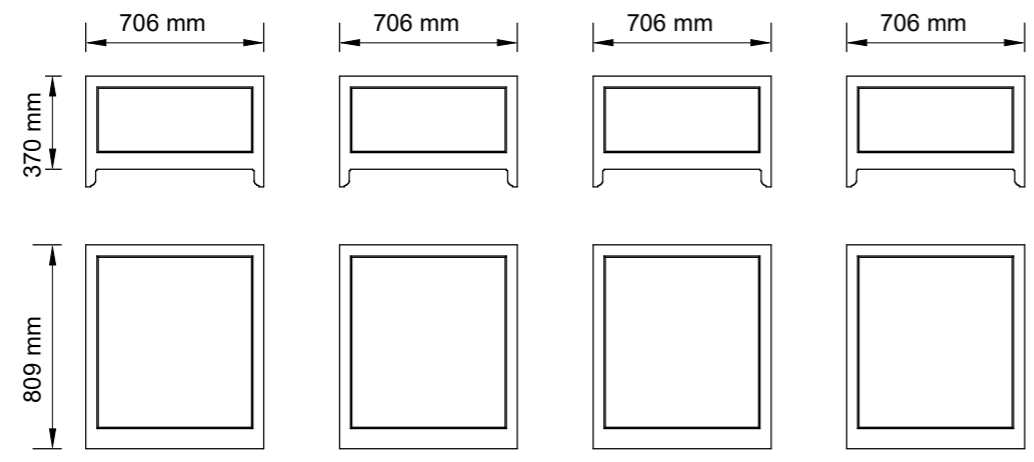
Front  
Elevation



scale 1:30 @ A3

All windows will be fitted with a 4/12/4 low E gas filled unit to achieve a 'U' value of 1.4.

Exterior of windows will be painted to match existing finish.



Reference : E



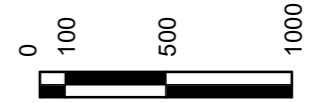
**Preservation Windows**  
6 Telford Place  
Lenziemill  
Cumbernauld  
G67 2NH

**CLIENT**  
41 Kingsborough Gardens  
Glasgow  
G12 9NH

**PROJECT**  
McPhee

**ISSUE** 01/09/2021  
**DRAWN BY** Iain Ritchie

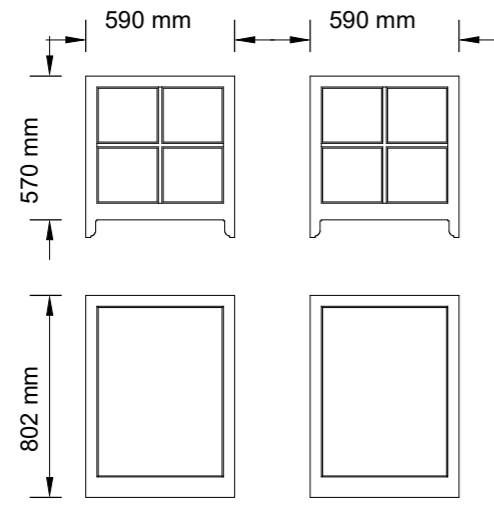
**Front  
Elevation**



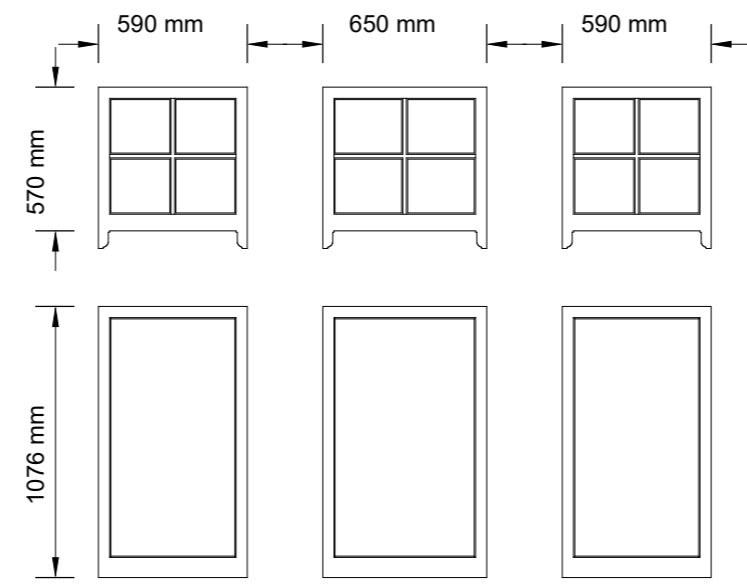
scale 1:30 @ A3

All windows will be fitted with a 4/12/4 low E gas filled unit to achieve a 'U' value of 1.4.

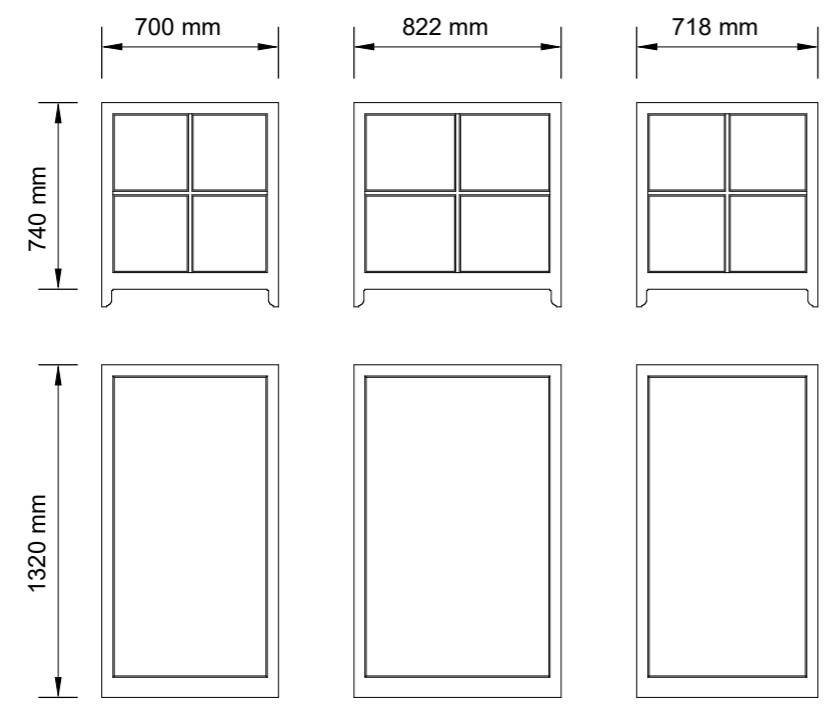
Exterior of windows will be painted to match existing finish.



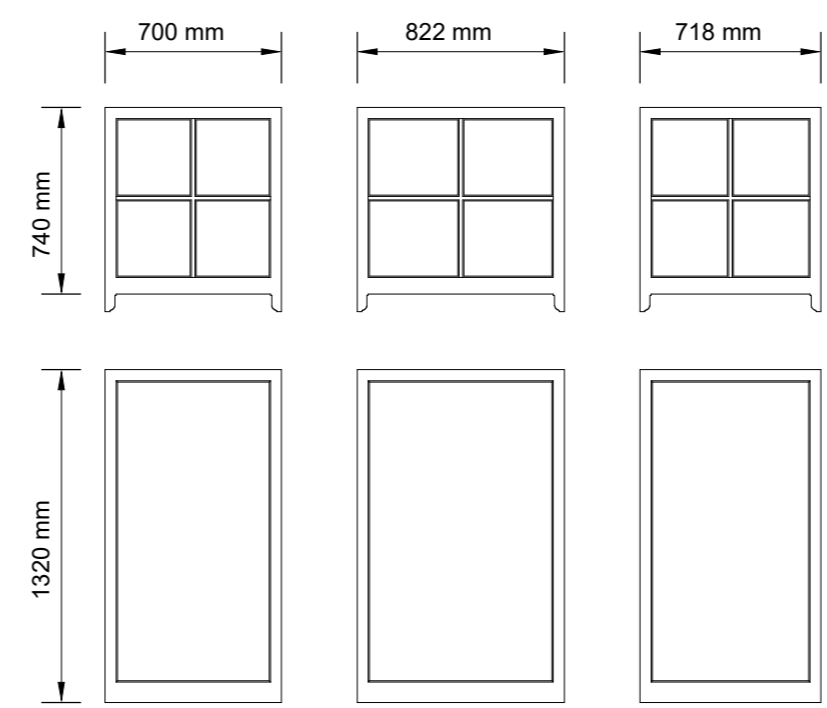
Reference : F



Reference : G



Reference : H



Reference : I



Preservation Windows  
6 Telford Place  
Lenziemill  
Cumbernauld  
G67 2NH

CLIENT  
41 Kingsborough Gardens  
Glasgow  
G12 9NH

PROJECT  
McPhee

ISSUE  
01/09/2021  
DRAWN BY  
Iain Ritchie

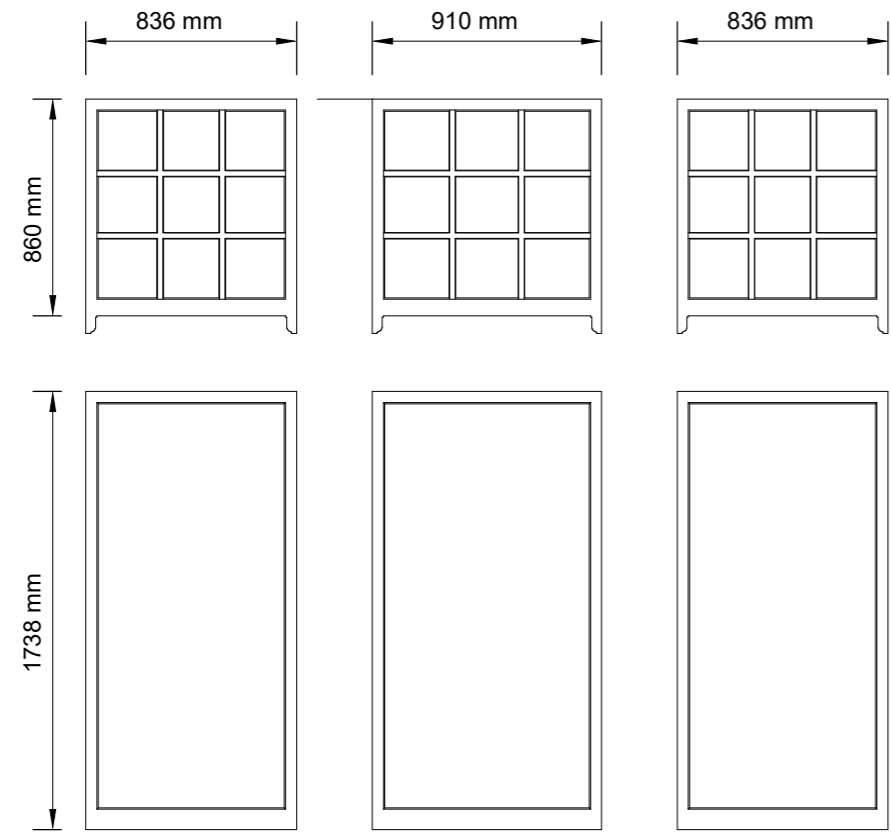
Rear  
Elevation



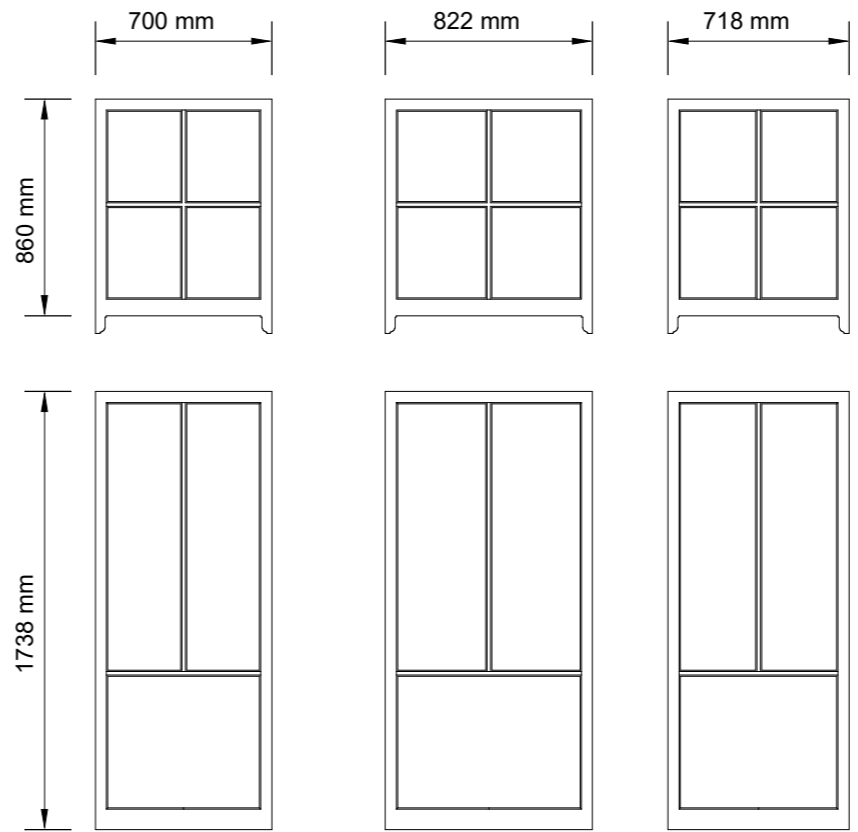
scale 1:30 @ A3

All windows will be fitted with a 4/12/4 low E gas filled unit to achieve a 'U' value of 1.4.

Exterior of windows will be painted to match existing finish.



Reference : J



Reference : K



**Preservation Windows**  
6 Telford Place  
Lenziemill  
Cumbernauld  
G67 2NH

**CLIENT**  
41 Kingsborough Gardens  
Glasgow  
G12 9NH

**PROJECT**  
McPhee

**ISSUE** 01/09/2021  
**DRAWN BY** Iain Ritchie

**Rear  
Elevation**