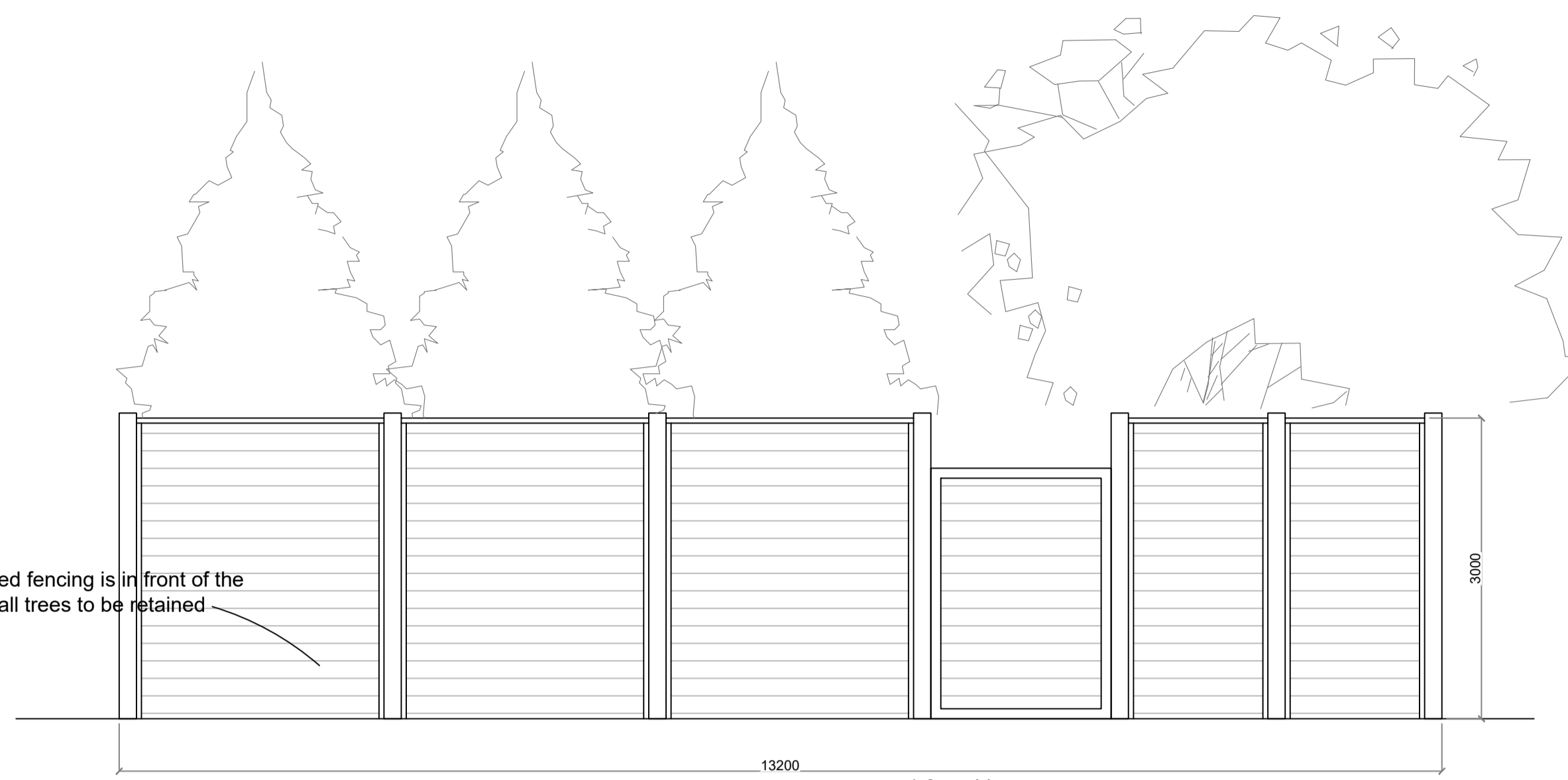


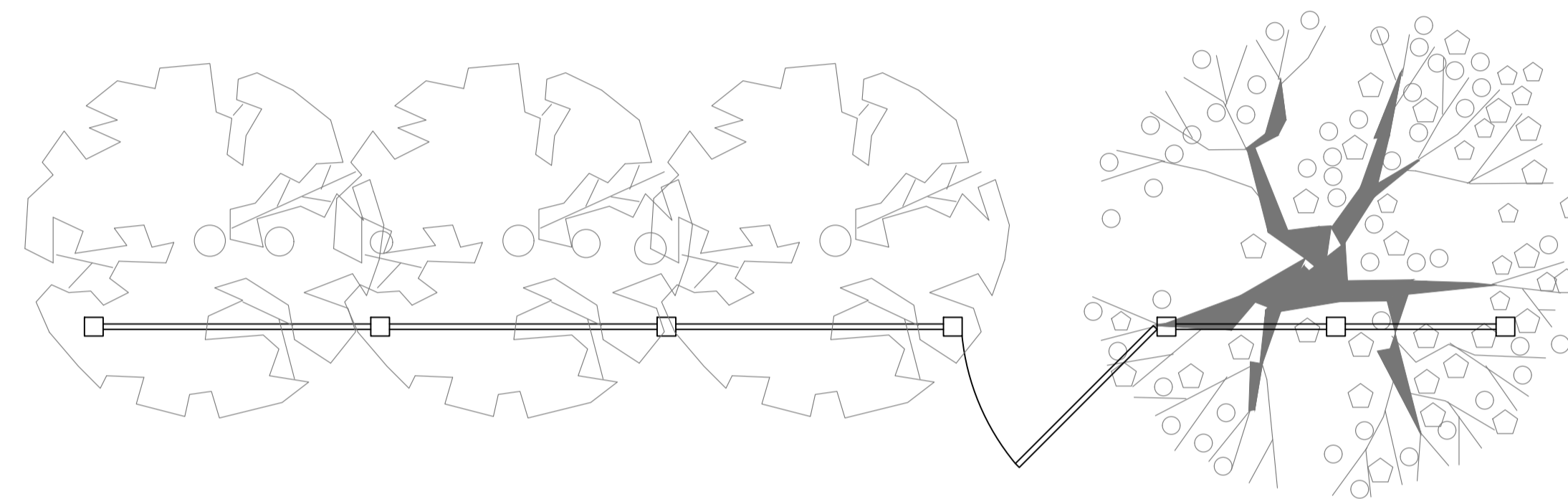
Proposed fencing is in front of the trees - all trees to be retained



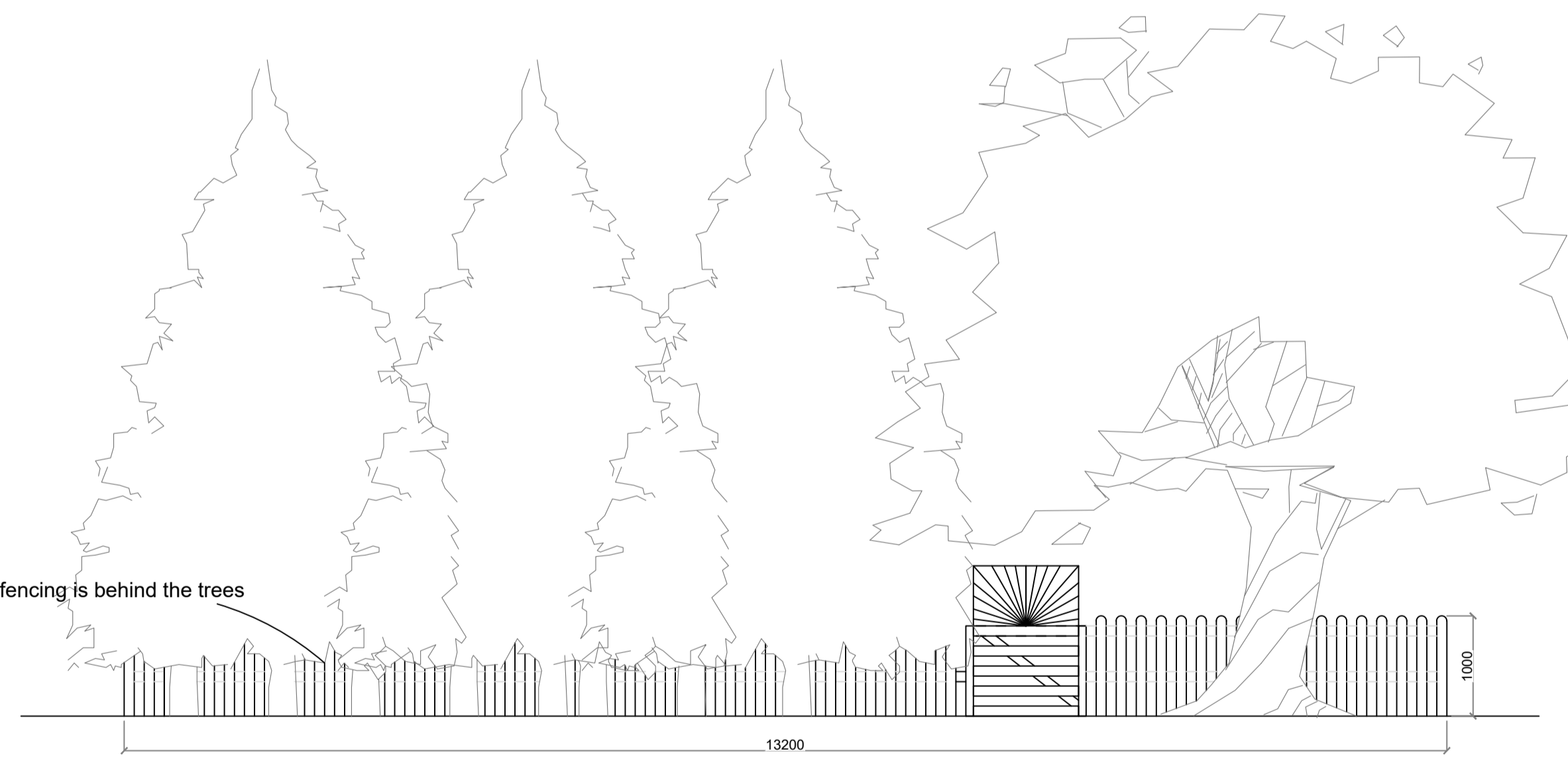
Proposed Southern Elevation

1.8m wide gate, approx.
3.3m from the East edge

Proposed Southern Plan

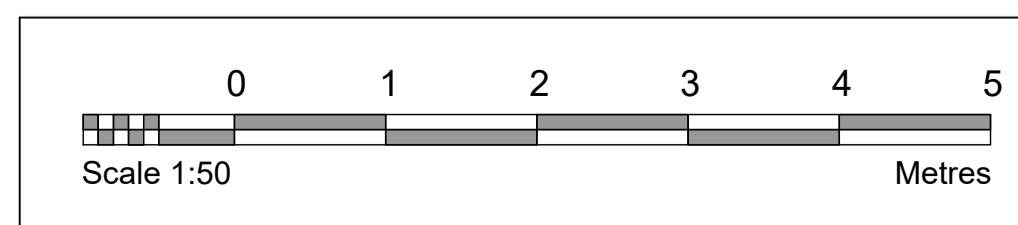
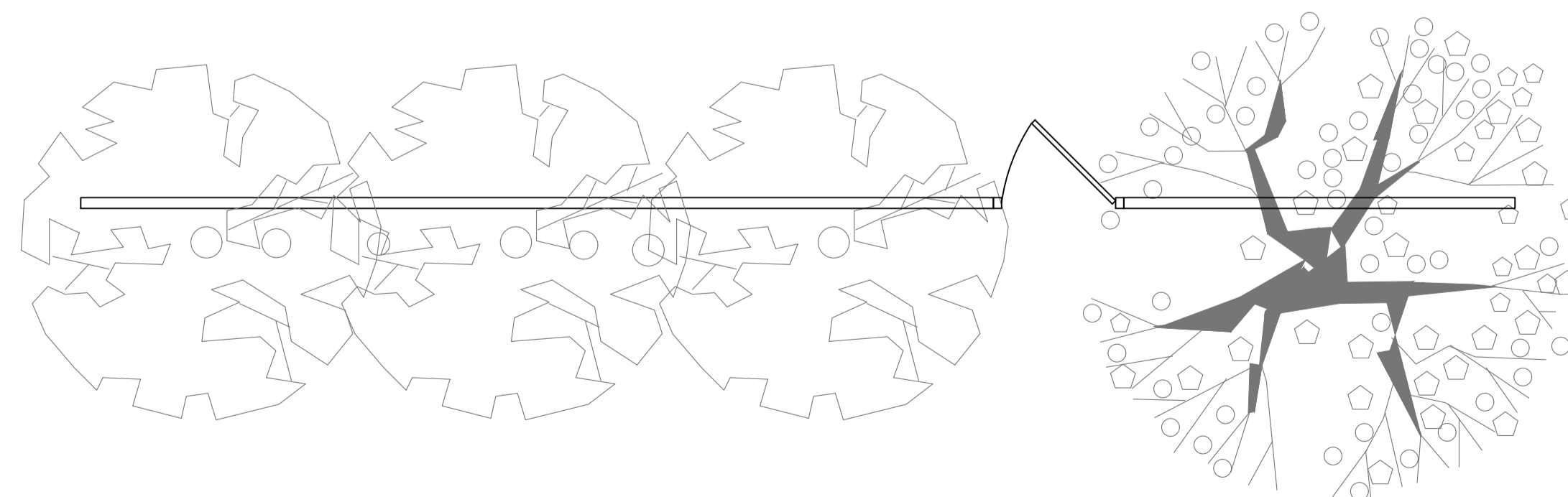


Current fencing is behind the trees



Existing Southern Elevation

Existing Southern Plan



Applicant: Mr Pugh
Address: 193 Birmingham Rd
Shenstone Woodend
Shenstone
Lichfield
WS14 0PA

Project: New acoustic fencing and gate
Scale: 1:50 @ A1
Date: 07/09/2021

Revision date: Revision: Plan No: PLA002
Title: Existing and proposed plan and elevations

