

RESTAURANT ENTRANCE DOOR

REFER TO DRAWING 200_559

D0.01

TRADITIONAL 6 PANELED ENTRANCE DOOR

NOTES:

1. WHITE PAINTED TIMBER
2. GLASS
3. REFER TO IRONMONGERY SCHEDULE PLACED AT 940MM ABOVE FFL
4. REFER TO IRONMONGERY SCHEDULE PLACED AT 1580MM ABOVE FFL
5. LOCK

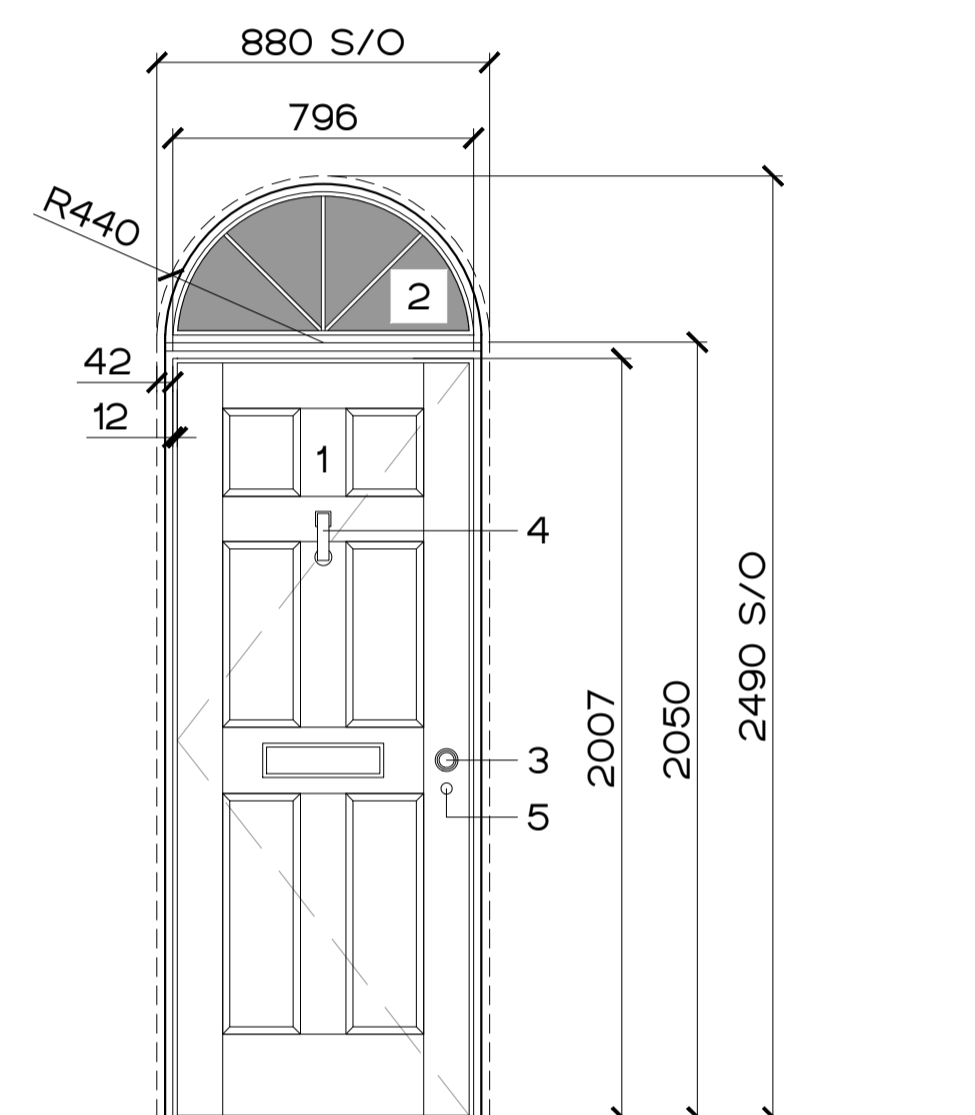
D0.02

LOUVERED DOOR WITH TRADITIONAL AESTHETIC

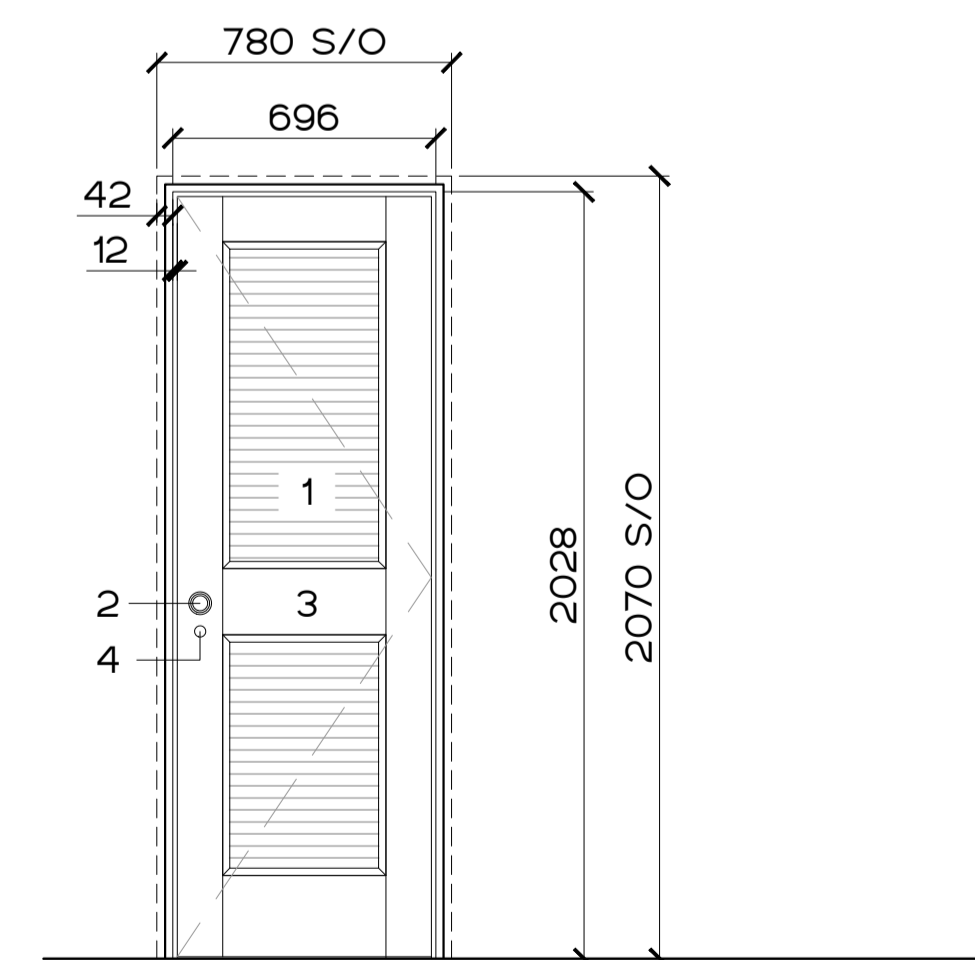
NOTES:

1. LOUVERED PANEL WITH LACQUERED FINISH
2. REFER TO IRONMONGERY SCHEDULE PLACED AT 940MM ABOVE FFL
3. WHITE PAINTED TIMBER
4. LOCK

D0.03



RESIDENTIAL ENTRANCE DOOR - TIMBER



BIN STORE DOOR - LOUVRED

LOUVERED DOOR WITH TRADITIONAL AESTHETIC

NOTES:

1. LOUVERED PANEL WITH WHITE LACQUERED FINISH
2. REFER TO IRONMONGERY SCHEDULE PLACED AT 940MM ABOVE FFL
3. WHITE PAINTED TIMBER
4. CLEAR WIDTH TO BE A MINIMUM OF 1050MM
5. DOOR TO GENERALLY OPEN INWARDS. DOOR TO BE AUTOMATICALLY RELEASED TO OPEN OUTWARD UPON FIRE ALARM ACTIVATION.

D0.04

GLAZED DOOR DESIGNED TO MATCH ADJACENT SASH WINDOWS

NOTES:

1. HISTOGLASS
2. WHITE PAINTED TIMBER
3. REFER TO IRONMONGERY SCHEDULE
4. LOCK

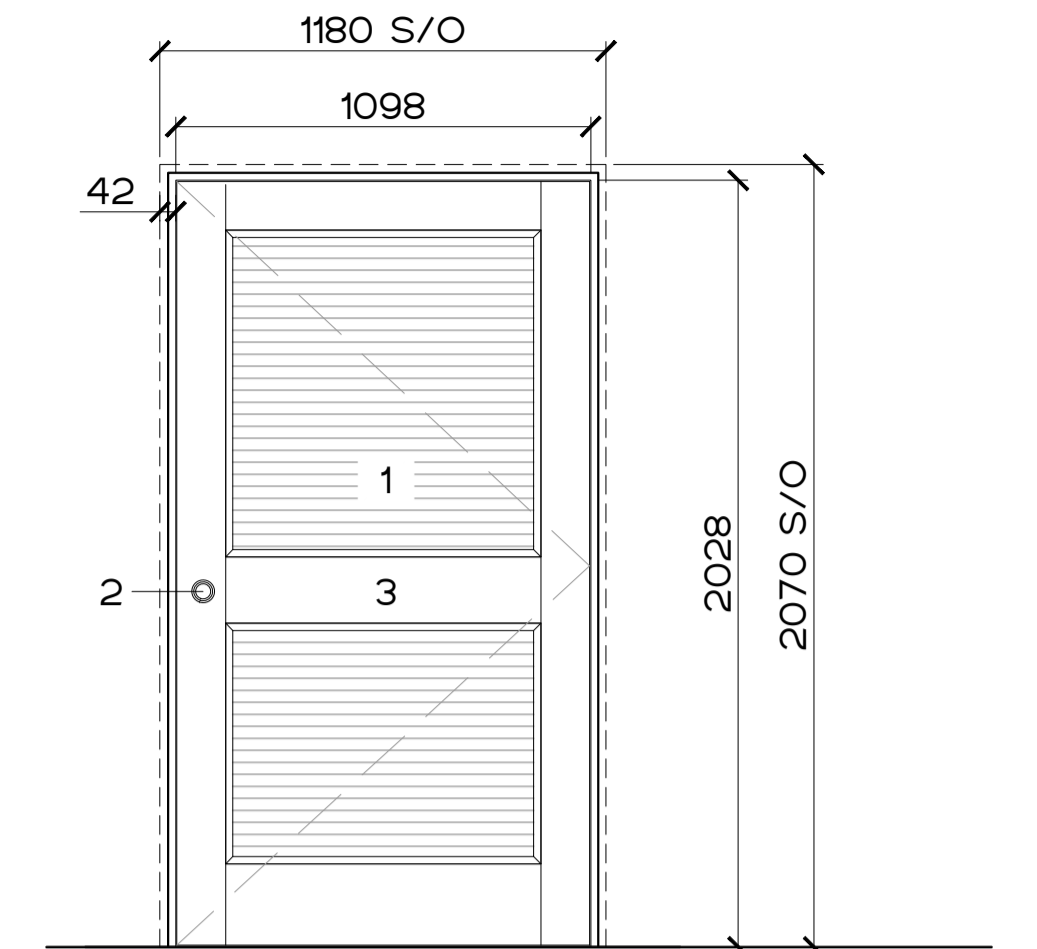
D1.01

GLAZED DOOR DESIGNED TO MATCH ADJACENT SASH WINDOWS

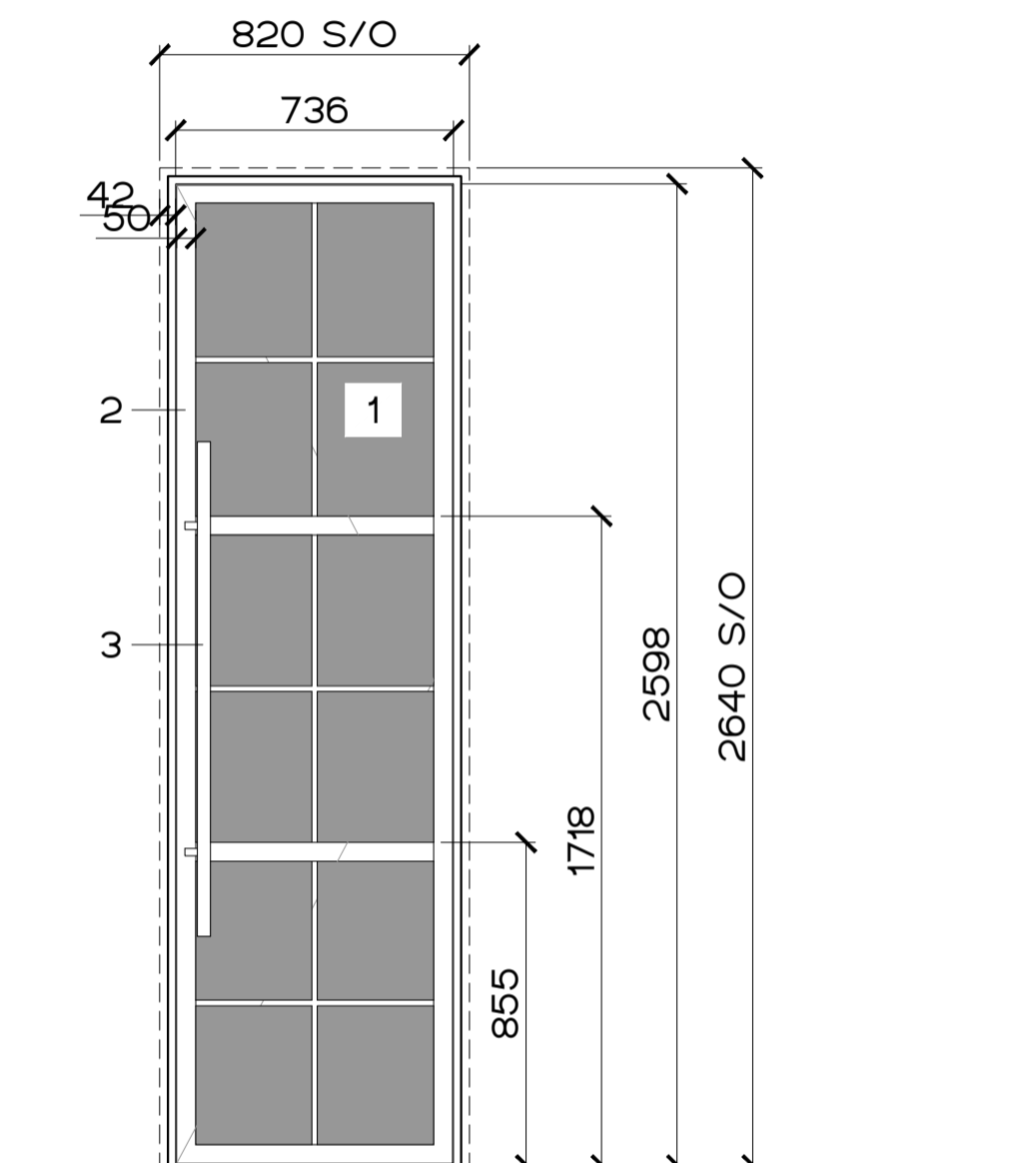
NOTES:

1. HISTOGLASS
2. WHITE PAINTED TIMBER
3. REFER TO IRONMONGERY SCHEDULE
4. LOCK

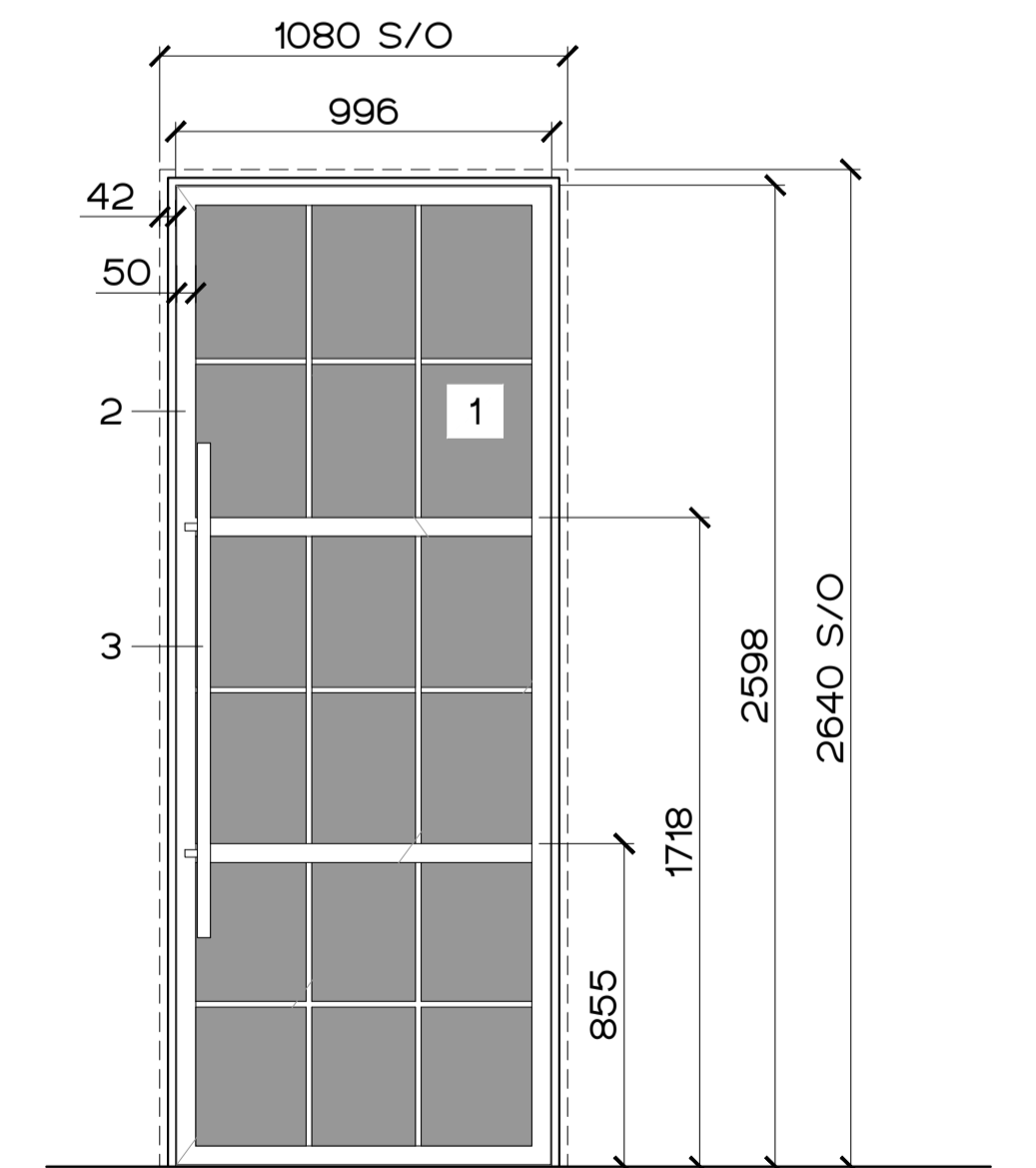
D1.02



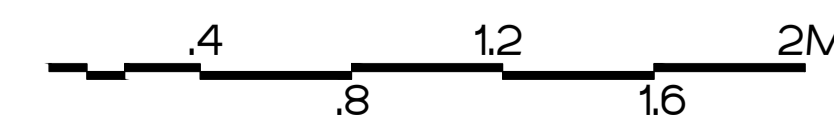
DELIVERIES ENTRANCE DOOR - LOUVRED



FIRST FLOOR TERRACE DOOR - GLAZED



FIRST FLOOR TERRACE DOOR -GLAZED



DISCLAIMER
THIS DRAWING IS THE COPYRIGHT OF RIGBY & RIGBY. DO NOT SCALE, ALL DIMENSIONS TO BE CHECKED ON SITE. PLEASE REFER TO WWW.RIGBYANDRIGBY.COM/LEGAL FOR ALL TERMS & CONDITIONS.

REVISIONS
06.09.21 REV A - RESTAURANT ENTRANCE DOOR NOTE