

TRADITIONAL 4 PANELED TIMBER DOOR

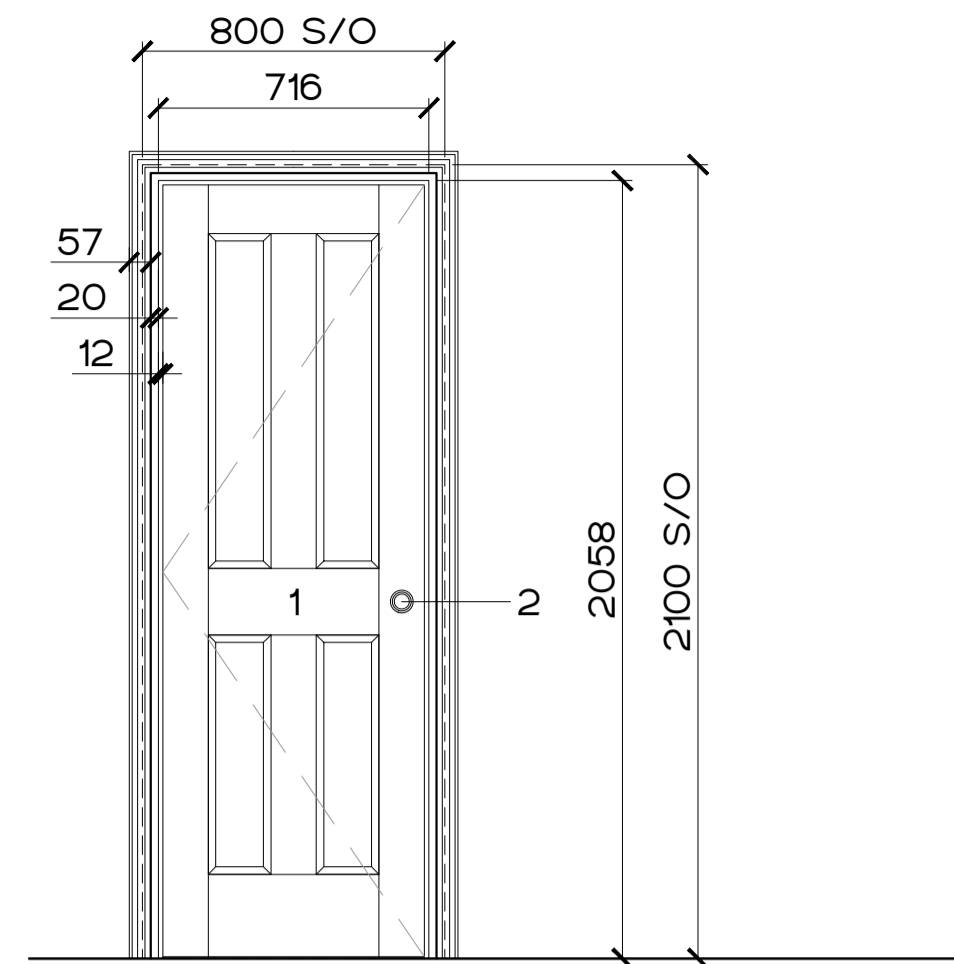
44MM SOLID CORE

FD30

NOTES:

1. WHITE PAINTED TIMBER
2. REFER TO IRONMONGERY SCHEDULE PLACED AT 940MM ABOVE FFL
3. DOORS TO EN-SUITE TO HAVE THUMB TURN LOCK

D2.01
D2.02
D2.03



SINGLE DOOR

TRADITIONAL 2 PANELED TIMBER DOOR

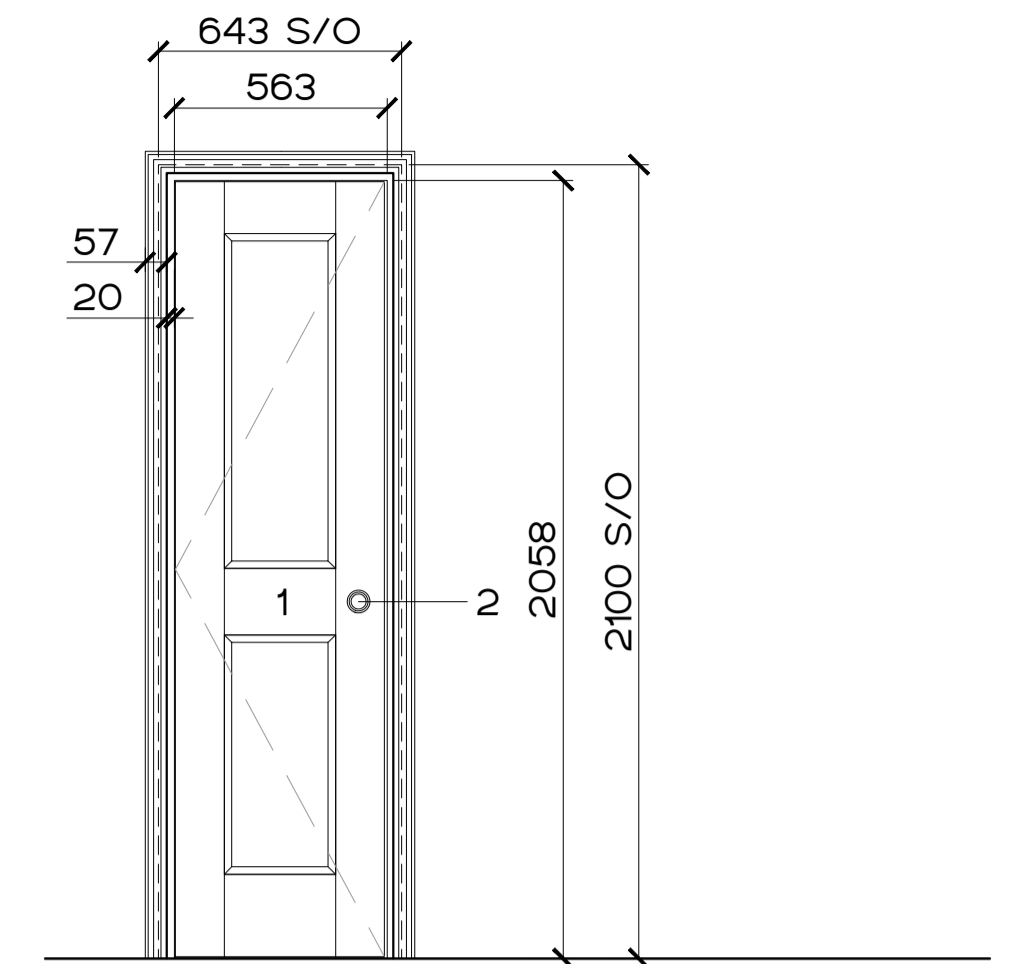
44MM SOLID CORE

FD30

NOTES:

1. WHITE PAINTED TIMBER
2. REFER TO IRONMONGERY SCHEDULE PLACED AT 940MM ABOVE FFL

D2.08



CUPBOARD DOOR

TRADITIONAL 4 PANELED TIMBER DOOR

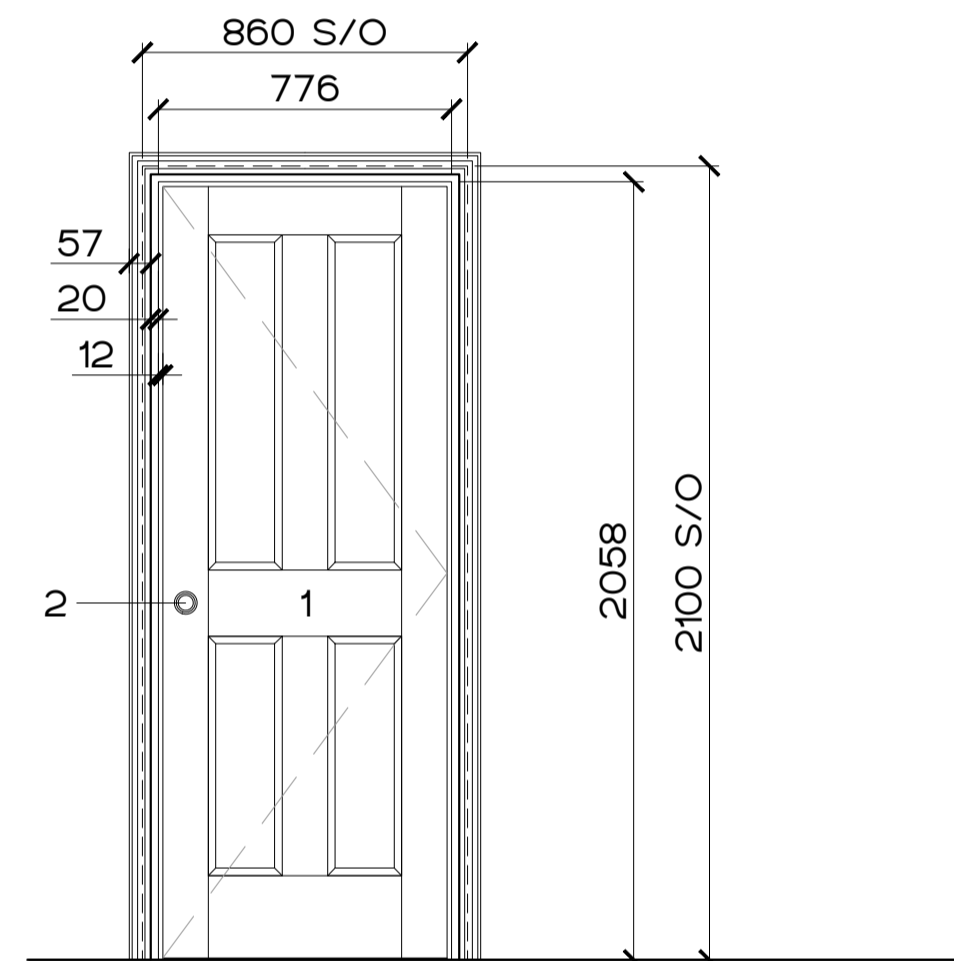
44MM SOLID CORE

FD30

NOTES:

1. WHITE PAINTED TIMBER
2. REFER TO IRONMONGERY SCHEDULE PLACED AT 940MM ABOVE FFL

D2.04
D2.05
D2.06



SINGLE DOOR

TRADITIONAL 4 PANELED TIMBER DOOR

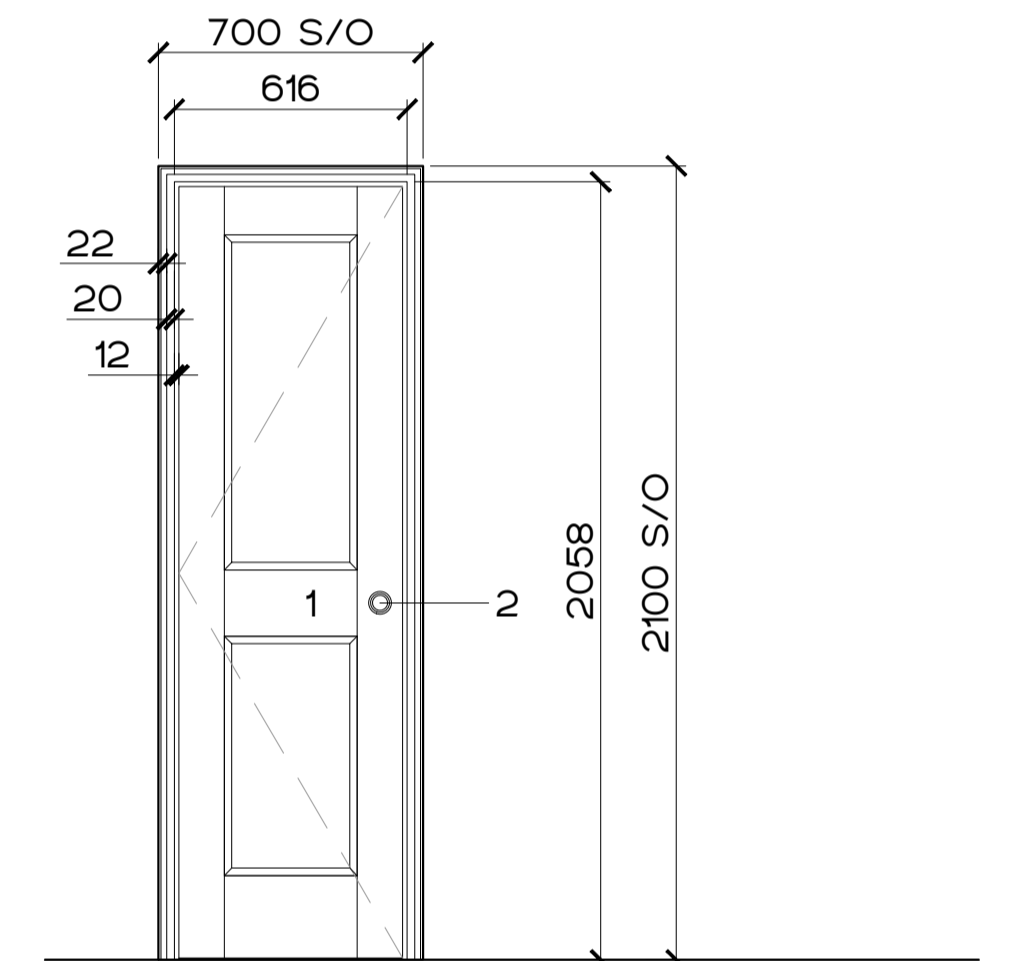
44MM SOLID CORE

FD30

NOTES:

1. WHITE PAINTED TIMBER
2. REFER TO IRONMONGERY SCHEDULE PLACED AT 940MM ABOVE FFL
3. DOOR TO WC TO HAVE THUMB TURN LOCK

D2.09



SINGLE DOOR

TRADITIONAL 4 PANELED TIMBER DOOR

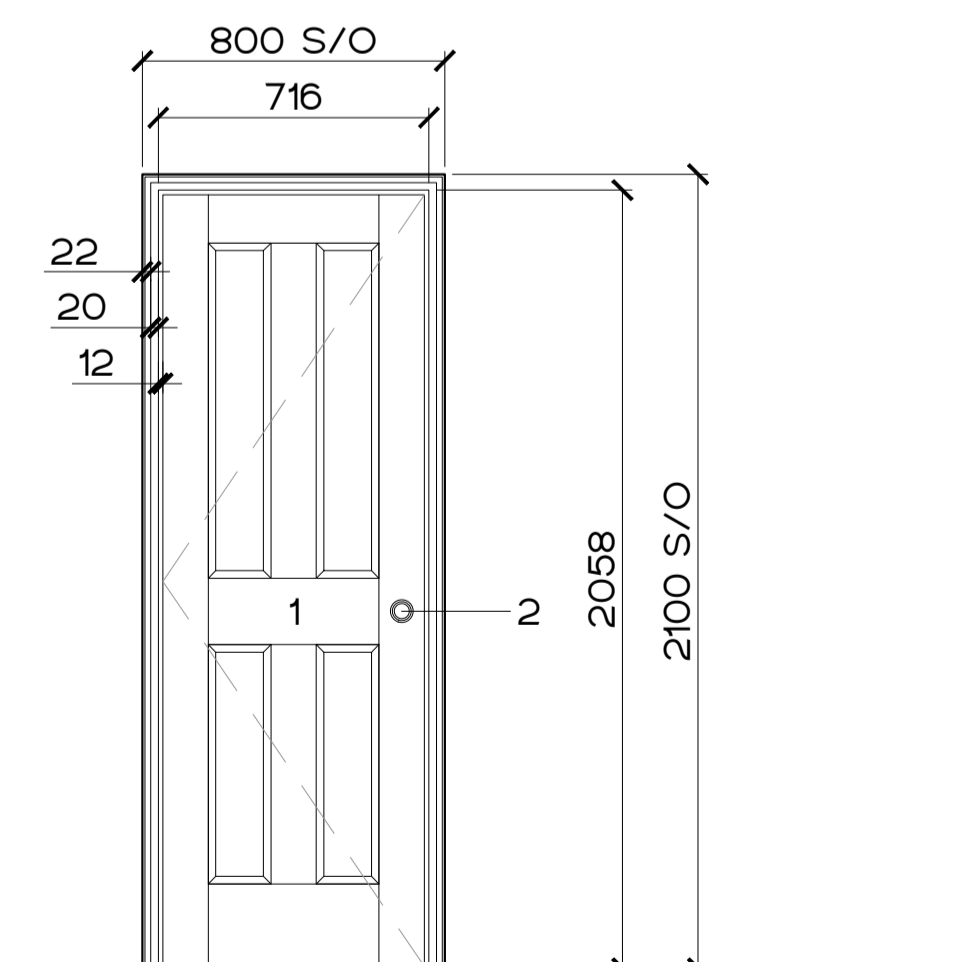
44MM SOLID CORE

FD30

NOTES:

1. WHITE PAINTED TIMBER
2. REFER TO IRONMONGERY SCHEDULE PLACED AT 940MM ABOVE FFL
3. DOOR TO EN-SUITE TO HAVE THUMB TURN LOCK

D2.07



SINGLE DOOR

TRADITIONAL 4 PANELED TIMBER DOOR

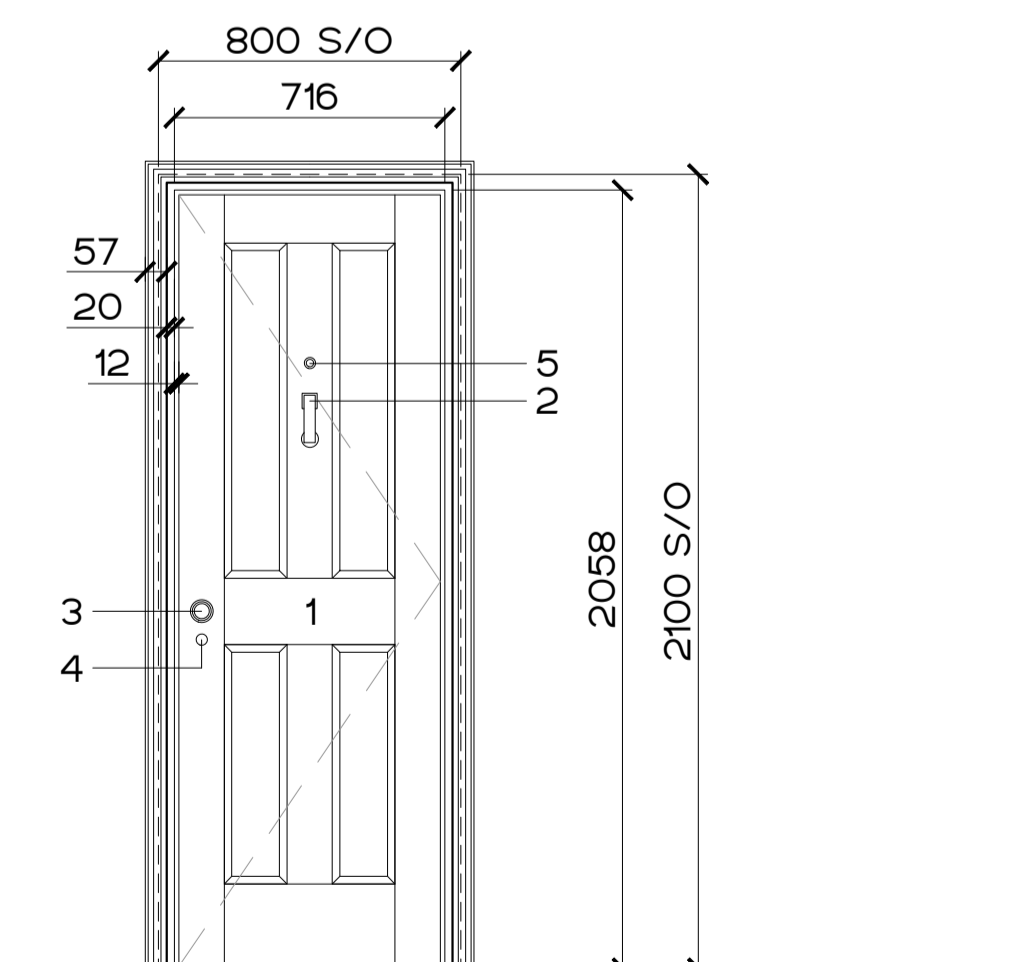
54MM SOLID CORE

FD30

NOTES:

1. WHITE PAINTED TIMBER
2. REFER TO IRONMONGERY SCHEDULE PLACED AT 1580MM ABOVE FFL
3. REFER TO IRONMONGERY SCHEDULE PLACED AT 940MM ABOVE FFL
4. LOCK
5. EYE VIEWER PLACED CENTRALLY AT 1600MM ABOVE FFL

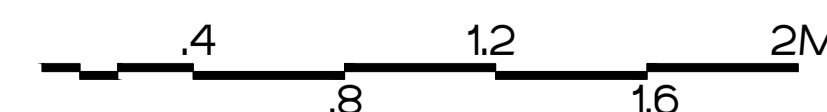
D2.10



SECOND FLOOR APARTMENT ENTRANCE DOOR

DISCLAIMER
THIS DRAWING IS THE COPYRIGHT OF RIGBY & RIGBY. DO NOT SCALE, ALL DIMENSIONS TO BE CHECKED ON SITE. PLEASE REFER TO WWW.RIGBYANDRIGBY.COM/LEGAL FOR ALL TERMS & CONDITIONS.

REVISIONS
20210610 - REV A - CHANGES TO INTERNAL APARTMENT DOORS
20210812 - REV B - ALL DOORS TRADITIONAL PANELLLED DOORS
20210906 - REV C - NOTES UPDATED



MONTPELIANO
KNIGHTSBIRDGE
PROPOSED DOOR SCHEDULE
INTERNAL DOORS
200_594 REV C
1:20 @A1, 1:40 @ A3
INFORMATION

RIGBY & RIGBY

+44 (0)20 3418 0446
RIGBYANDRIGBY.COM

