

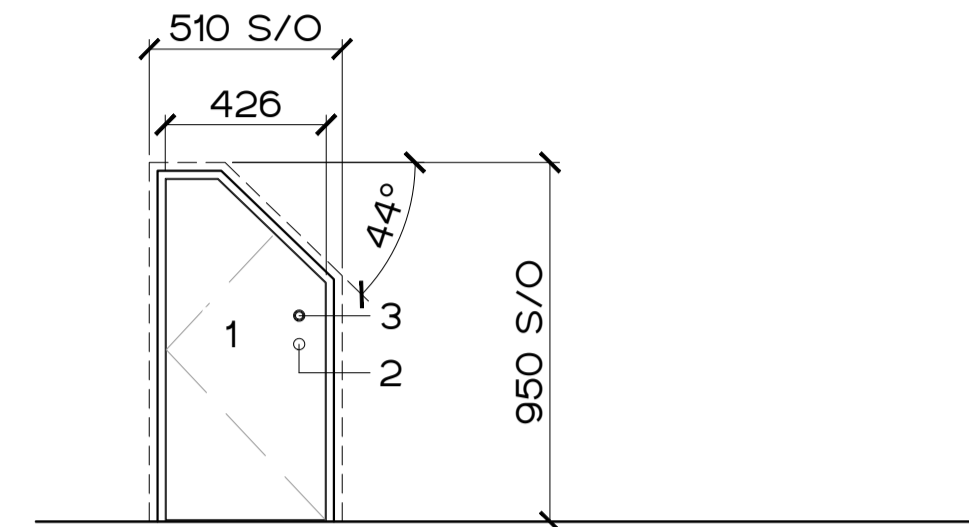
44MM SOLID CORE DOOR

FD30

NOTES:

1. WHITE PAINTED TIMBER
2. LOCK
3. REFER TO IRONMONGERY SCHEDULE PLACED AT 650MM ABOVE FFL
4. MEASURE OPENING ON SITE PRIOR TO MANUFACTURE

D2.11



UNDER STAIR STORAGE DOOR

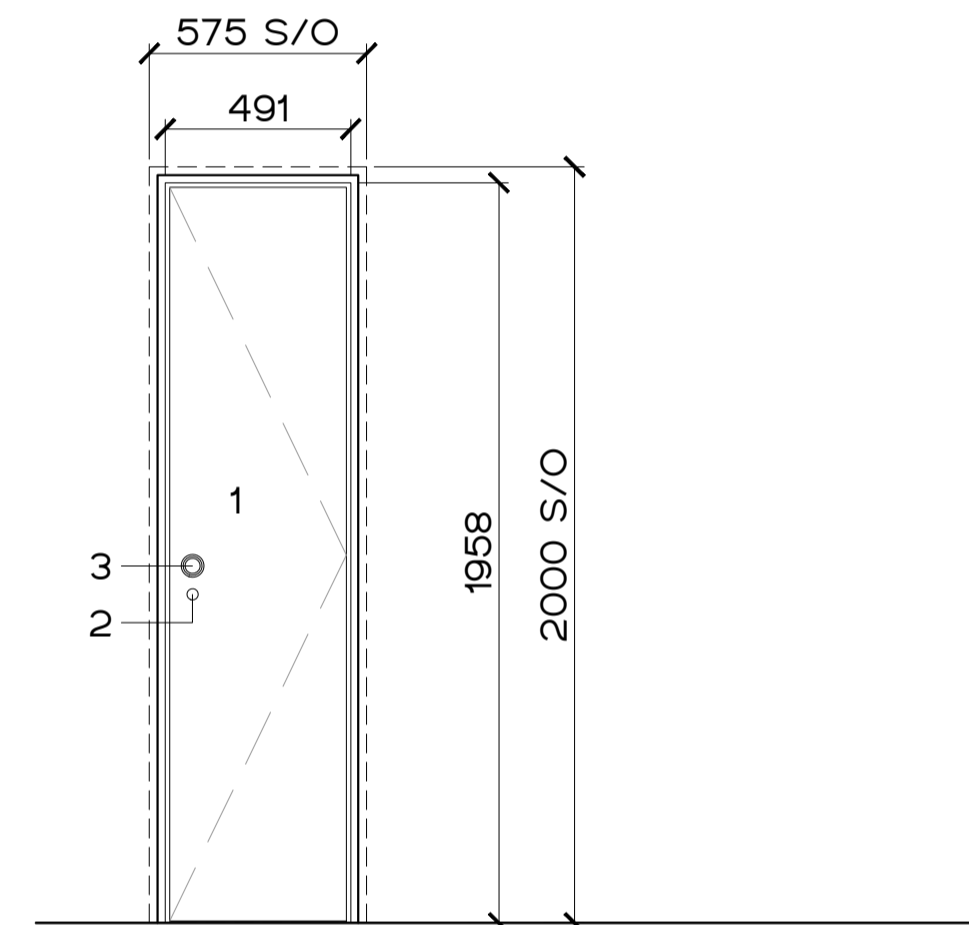
44MM SOLID CORE DOOR

FD30

NOTES:

1. WHITE PAINTED TIMBER
2. LOCK
3. REFER TO IRONMONGERY SCHEDULE PLACED AT 940MM ABOVE FFL

D3.01



PLANT ROOM DOOR

DISCLAIMER
THIS DRAWING IS THE COPYRIGHT OF RIGBY & RIGBY. DO NOT SCALE. ALL DIMENSIONS TO BE CHECKED ON SITE. PLEASE REFER TO WWW.RIGBYANDRIGBY.COM/LEGAL FOR ALL TERMS & CONDITIONS.

REVISIONS
A 20210812 D2.11 ADDED TO DRAWING



MONTPELIANO
KNIGHTSBIRDGE
PROPOSED DOOR SCHEDULE
INTERNAL DOORS
200_595 REV - A
1:20 @A1, 1:40 @ A3
INFORMATION

RIGBY & RIGBY

+44 (0)20 3418 0446
RIGBYANDRIGBY.COM

