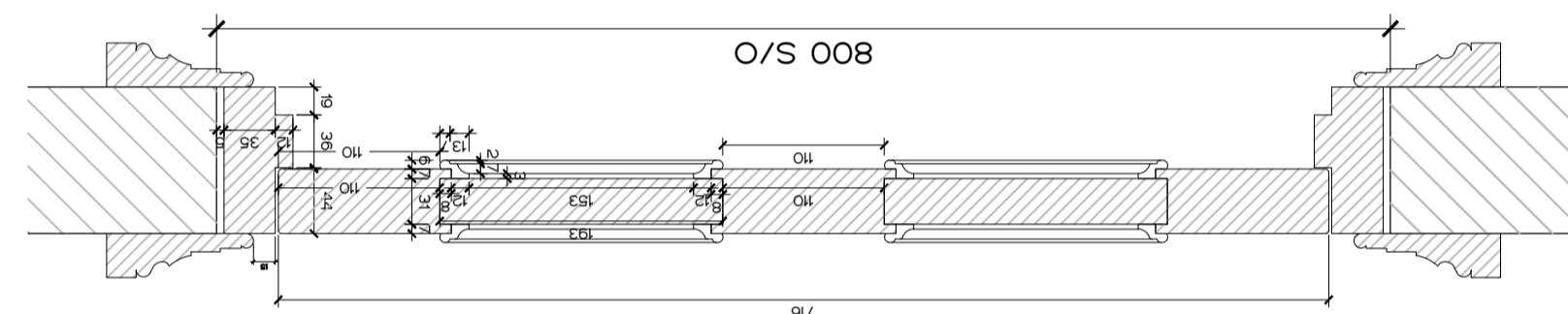


TRADITIONAL PANELLED DOORS - DETAIL SECTIONS

FRAMING DIMENSIONS TO STAY CONSTANT, PANEL SIZES AMEND AS S/O SIZES AMEND.

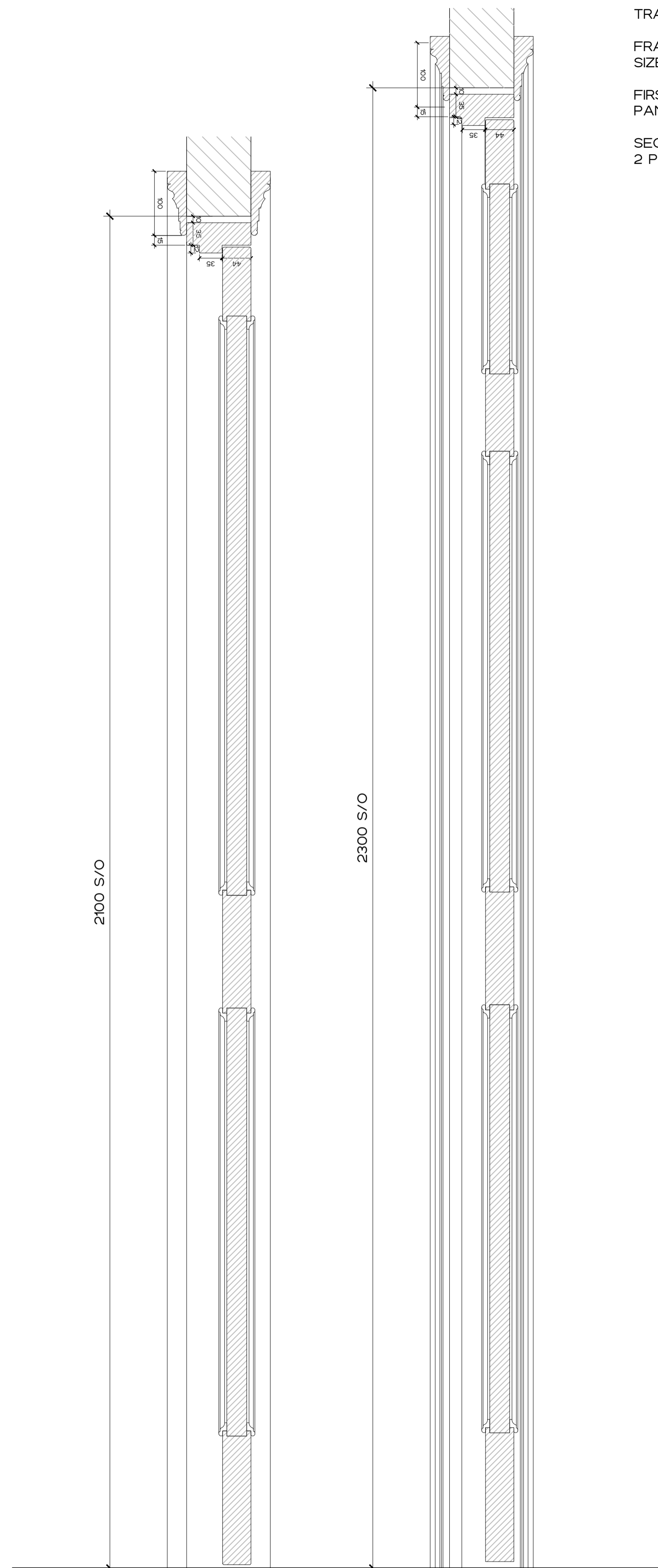
FIRST FLOOR DOORS ARE 2.3M HEIGHT AND HAVE 3 PANELS VERTICALLY

SECOND FLOOR DOORS ARE 2.1M HEIGHT AND HAVE 2 PANELS VERTICALLY



TRADITIONAL PANELLED DOORS - DETAIL PLAN

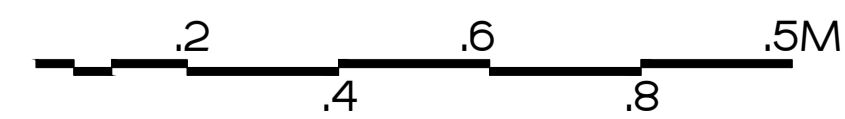
FRAMING DIMENSIONS TO STAY CONSTANT,  
PANEL SIZES AMEND AS S/O SIZES AMEND.



DISCLAIMER

THIS DRAWING IS THE COPYRIGHT OF RIGBY & RIGBY. DO NOT SCALE, ALL DIMENSIONS TO BE CHECKED ON SITE. PLEASE REFER TO WWW.RIGBYANDRIGBY.COM/LEGAL FOR ALL TERMS & CONDITIONS.

REVISIONS



**MONTPELIANO**  
KNIGHTSBIRDGE  
PROPOSED DOOR SCHEDULE  
INTERNAL DOORS DETAILS  
200\_561 REV -  
1:5 @A1, 1:10 @ A3  
INFORMATION



+44 (0)20 3418 0446  
RIGBYANDRIGBY.COM