

TRADITIONAL 6 PANELED TIMBER DOOR

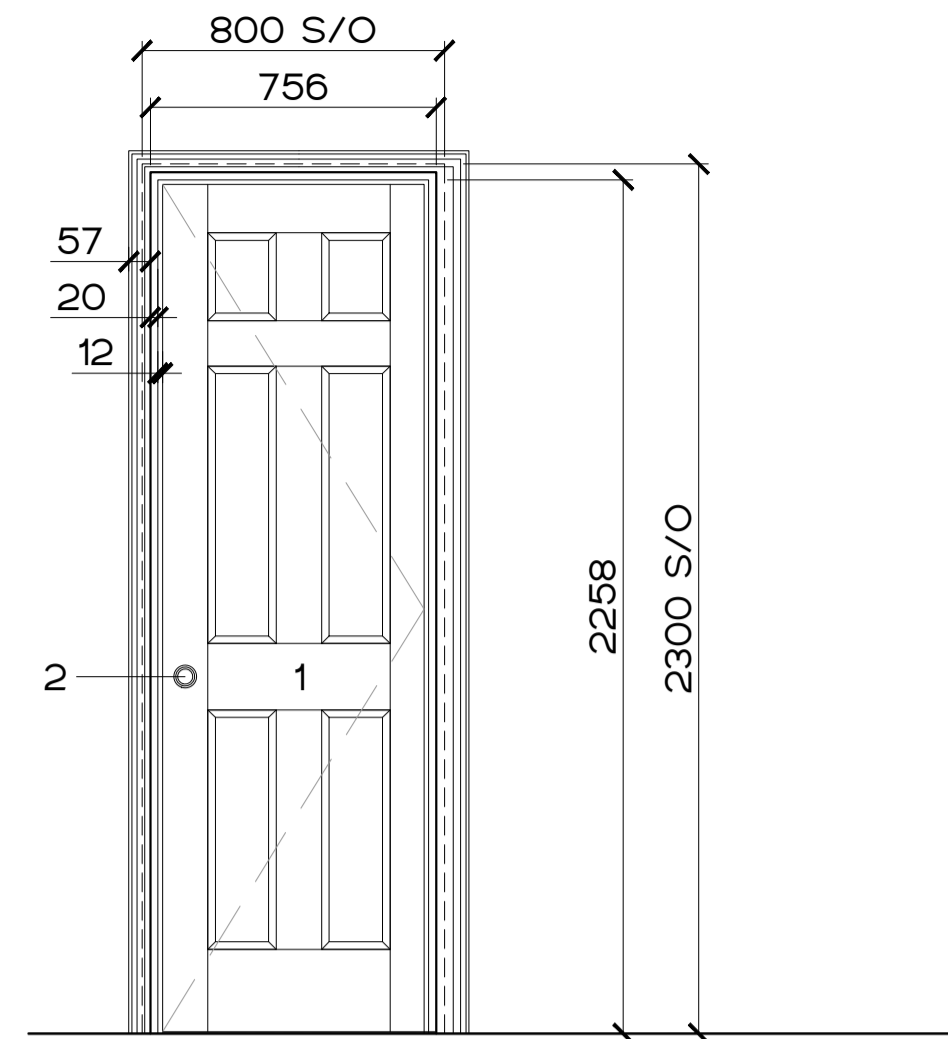
44MM SOLID CORE

FD30

NOTES:

1. WHITE PAINTED TIMBER
2. REFER TO IRONMONGERY SCHEDULE PLACED AT 940MM ABOVE FFL. THUMB TURN LOCKS REQUIRED FOR BATHROOMS

D1.03  
D1.04  
D1.05



SINGLE DOOR

TRADITIONAL 3 PANELED TIMBER DOOR

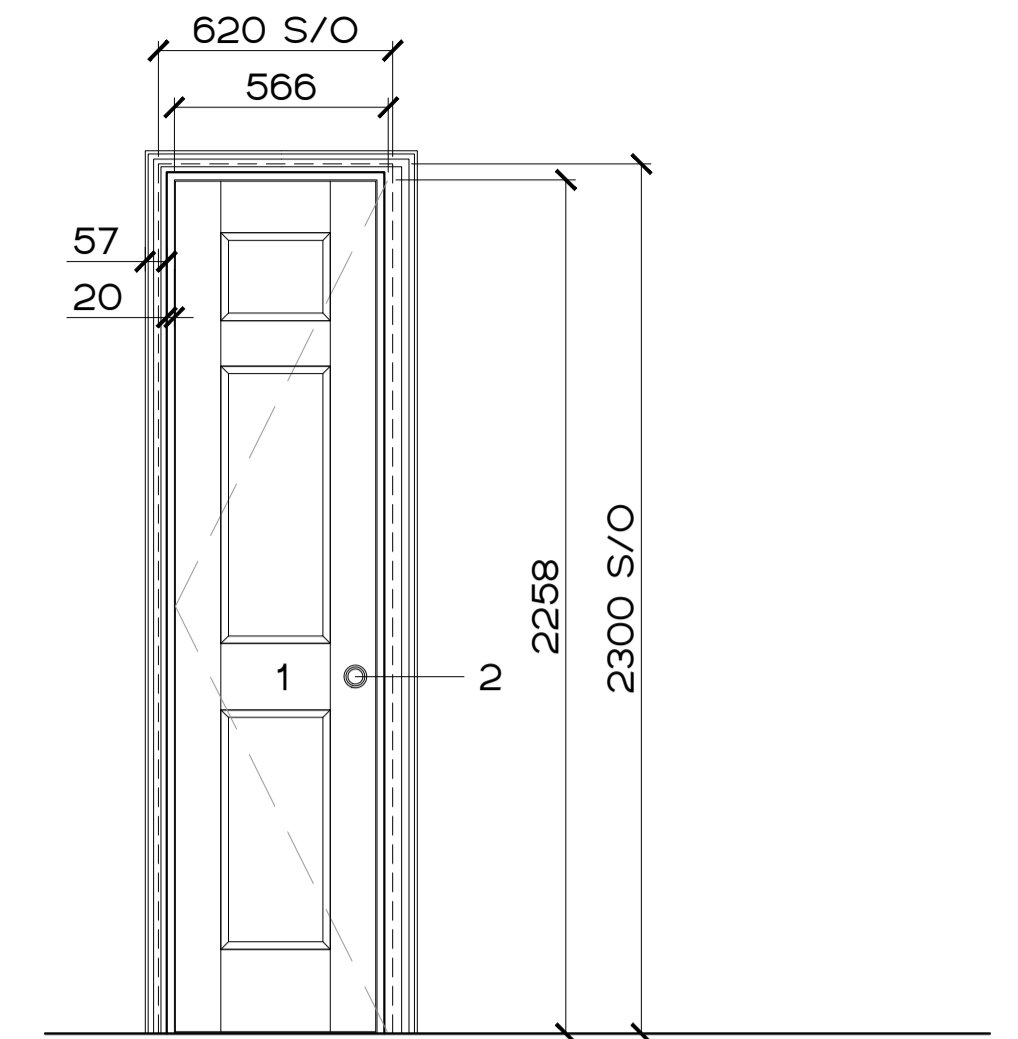
44MM SOLID CORE

FD30

NOTES:

1. WHITE PAINTED TIMBER
2. REFER TO IRONMONGERY SCHEDULE PLACED AT 940MM ABOVE FFL

D1.08



CUPBOARD DOOR

TRADITIONAL 6 PANELED TIMBER DOOR

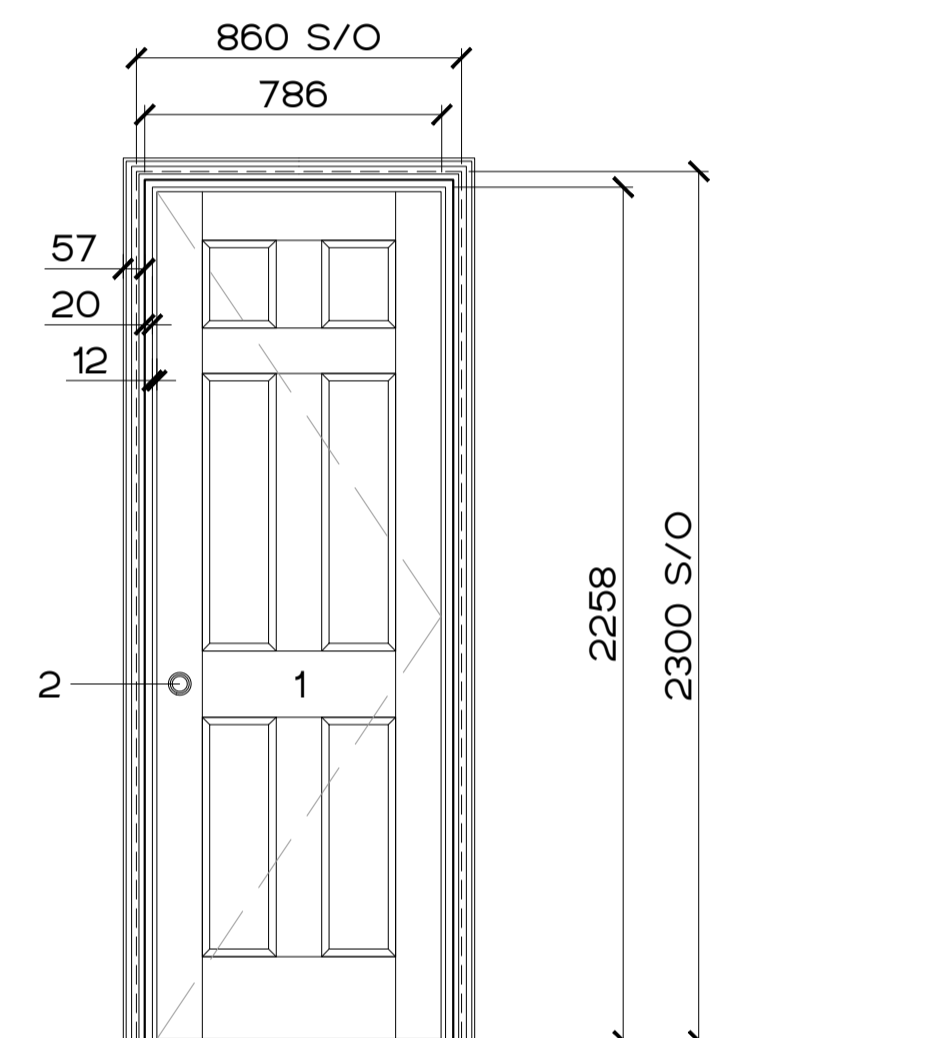
44MM SOLID CORE

FD30

NOTES:

1. WHITE PAINTED TIMBER
2. REFER TO IRONMONGERY SCHEDULE PLACED AT 940MM ABOVE FFL

D1.06  
D1.07  
D1.10



SINGLE DOOR

TRADITIONAL 3 PANELED TIMBER DOOR

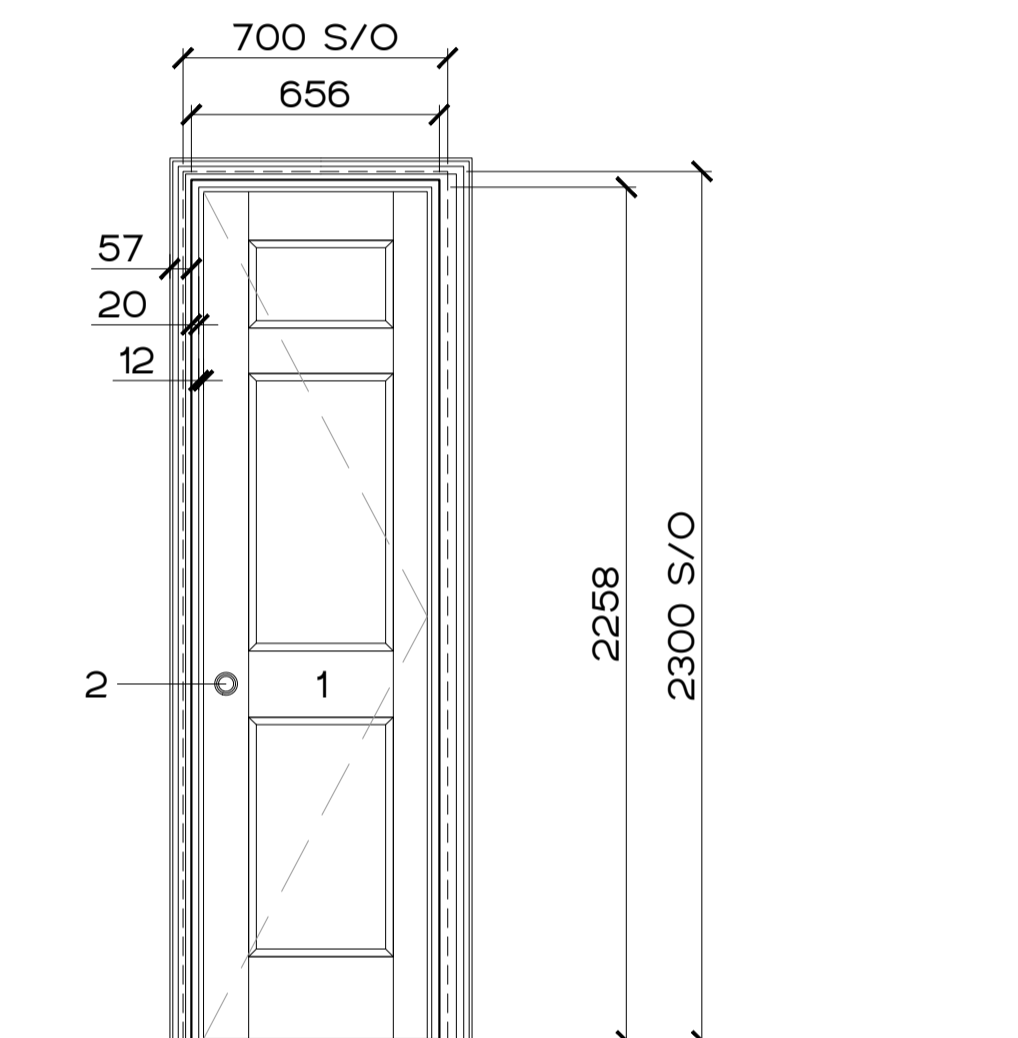
44MM SOLID CORE

FD30

NOTES:

1. WHITE PAINTED TIMBER
2. REFER TO IRONMONGERY SCHEDULE PLACED AT 940MM ABOVE FFL. THUMB TURN LOCKS REQUIRED FOR BATHROOMS / WC'S

D1.09



SINGLE DOOR

TRADITIONAL 6 PANELED TIMBER DOOR

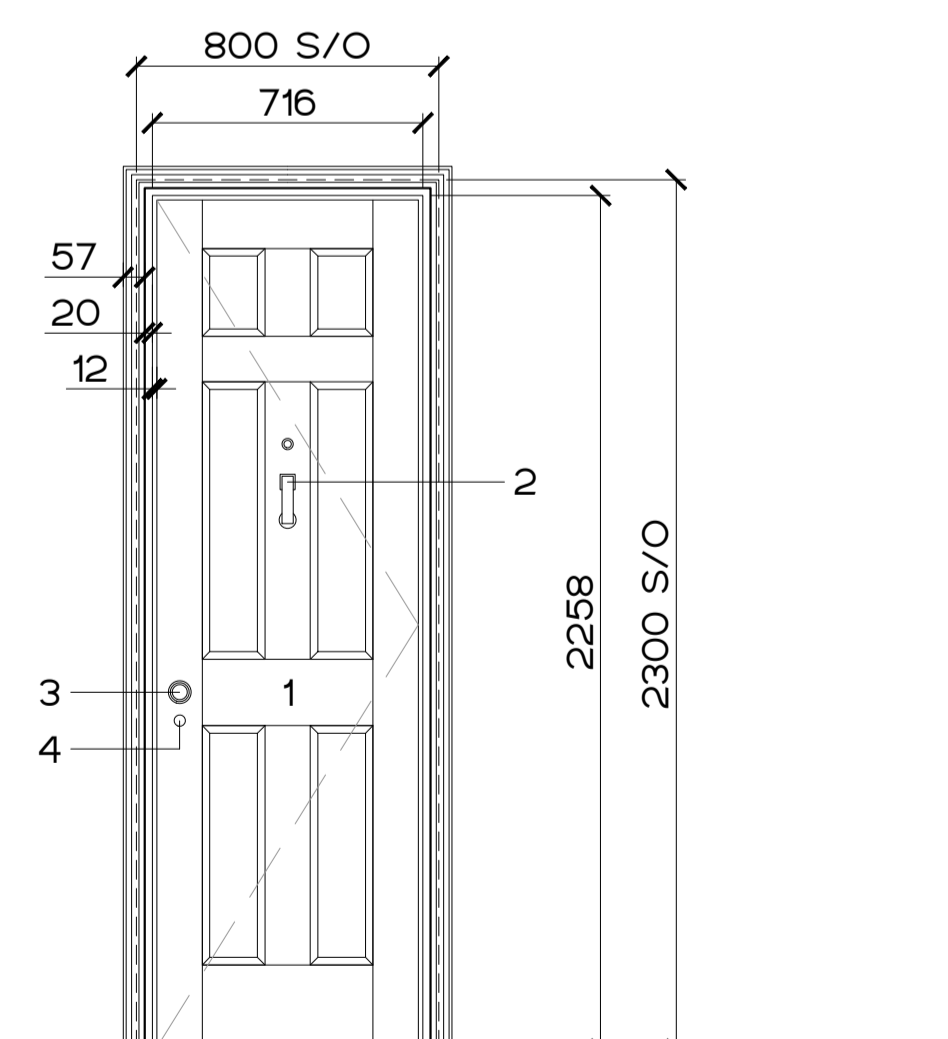
54MM SOLID CORE

FD30

NOTES:

1. WHITE PAINTED TIMBER
2. REFER TO IRONMONGERY SCHEDULE PLACED AT 1500MM ABOVE FFL
3. REFER TO IRONMONGERY SCHEDULE PLACED AT 940MM ABOVE FFL
4. LOCK
5. EYE VIEWER PLACED CENTRALLY AT 1600MM ABOVE FFL

D1.11



FIRST FLOOR APARTMENT ENTRANCE DOOR

TRADITIONAL 6 PANELED TIMBER DOOR

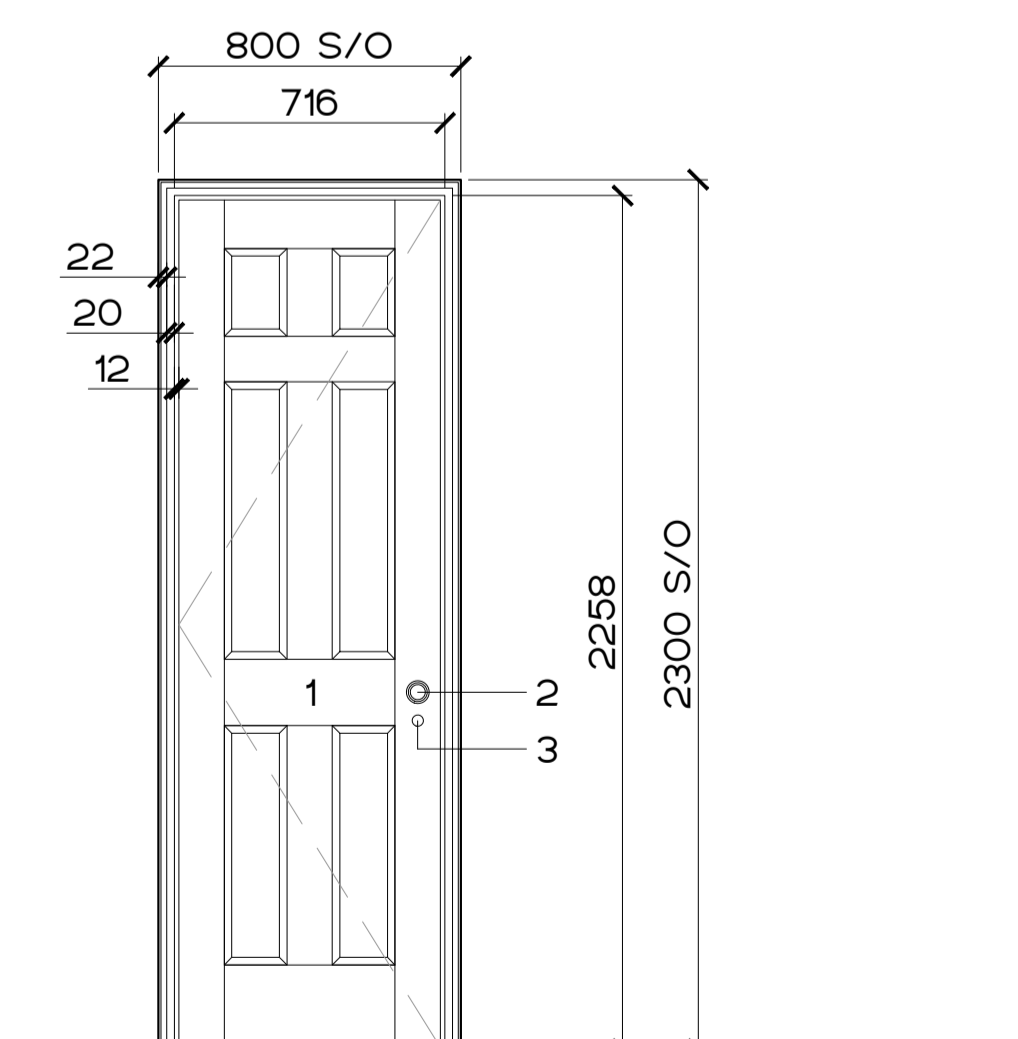
44MM SOLID CORE

FD30

NOTES:

1. WHITE PAINTED TIMBER
2. REFER TO IRONMONGERY SCHEDULE PLACED AT 940MM ABOVE FFL
3. THUMBTURN LOCK

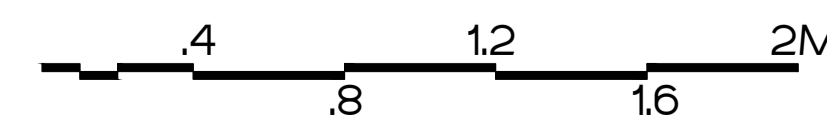
D 1.12



SINGLE DOOR - ENSUITE

**DISCLAIMER**  
THIS DRAWING IS THE COPYRIGHT OF RIGBY & RIGBY. DO NOT SCALE. ALL DIMENSIONS TO BE CHECKED ON SITE. PLEASE REFER TO WWW.RIGBYANDRIGBY.COM/LEGAL FOR ALL TERMS & CONDITIONS.

**REVISIONS**  
20210610 - REV A - CHANGES TO INTERNAL APARTMENT DOORS  
20210812 - REV B - ALL DOORS TRADITIONAL PANELLLED DOORS  
20210906 - REV C - NOTES UPDATED



**MONTPELIANO**  
KNIGHTSBIRDGE  
PROPOSED DOOR SCHEDULE  
INTERNAL DOORS  
200\_592 REV C  
1:20 @A1, 1:40 @ A3  
INFORMATION

**RIGBY & RIGBY**

+44 (0)20 3418 0446  
RIGBYANDRIGBY.COM

