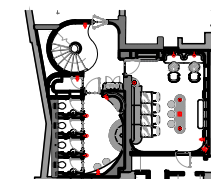


DOOR CODE	D114
DOOR LOCATION	RESTROOM DOOR
APPEARS ON	LOWER GROUND FLOOR
HINGE	CONCEALED. PVC.
SLIDING TRACK	--
LOCK & BOLT SET	--
DOOR CLOSER	--
DOOR HANDLE	03-HW-07
STOPPER	--
VIEWER	--
DOOR GUARD	--
DOOR DROP SEAL	--
ELEC. CARD READER	--
MISCELLANEOUS	--
MISCELLANEOUS	--
FINISHES	AS PER SPECIFIED

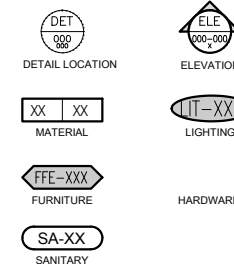
R&R Door Code: DB.04

NB. ALL DRAWING REFERENCE NUMBERS HAVE 'JW-ID-' PREFIX

KEY PLAN



DRAWING LEGEND



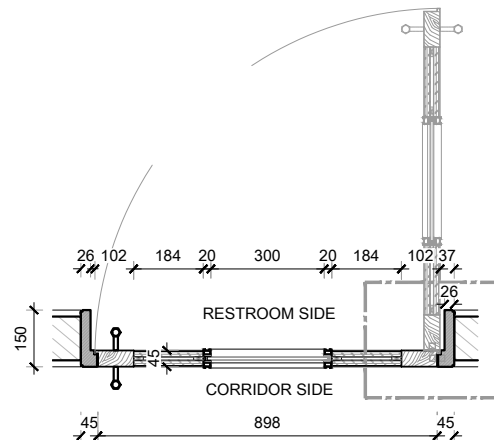
REVISION	COMMENT	DATE
D2	100% DESIGN DEVELOPMENT	30.04.21

DESIGN INTENT ONLY

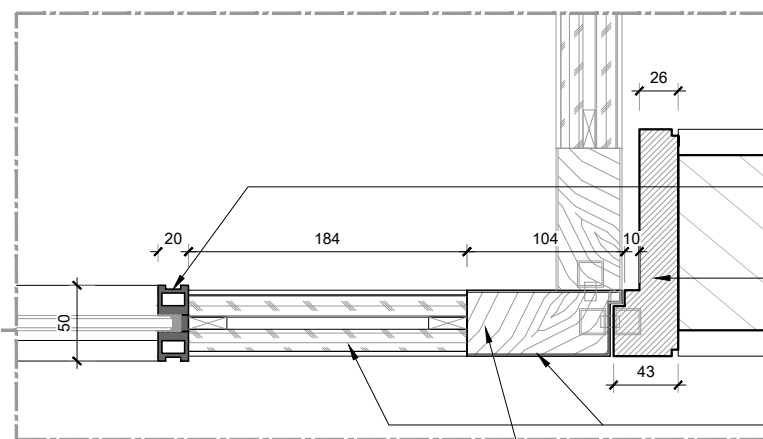
DESIGN DEVELOPMENT

PROJECT TITLE	
NAMMOS_LONDON	
DRAWING TITLE	
RESTROOM DOOR - 114	
DRAWING NUMBER	
JW-ID-LGF-7004	
DATE	DRAWN
30.04.2021	CA
STUDIO	CHECKED
LDN	CS
JOB NUMBER	SCALE
NAM	VARIOUS@A3

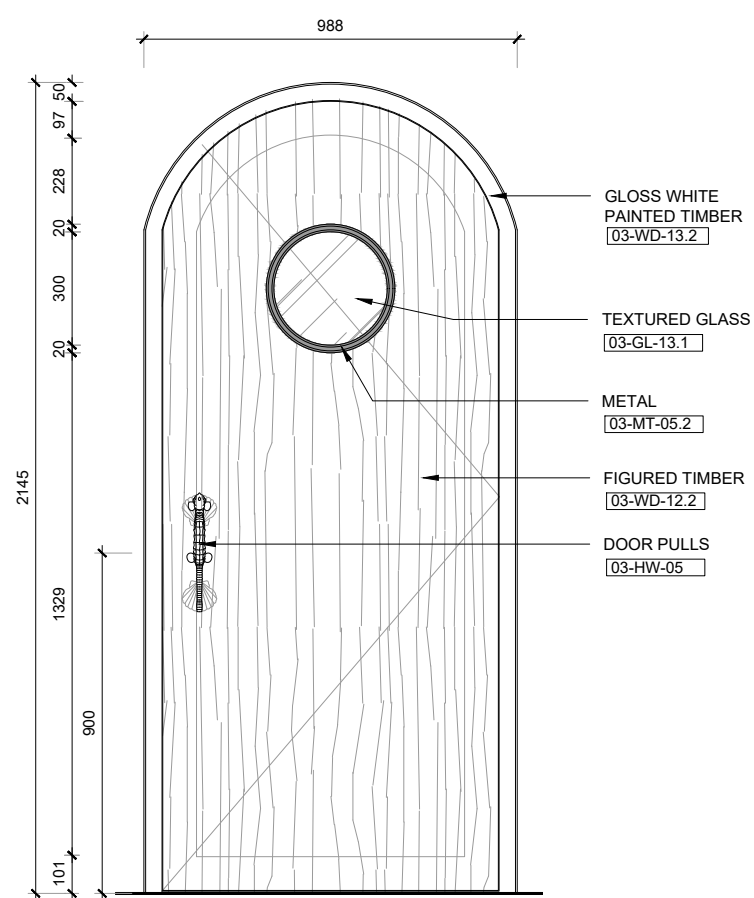
ALL IDEAS, DESIGNS AND PLANS INDICATED OR REPRESENTED BY THESE DRAWINGS ARE OWNED BY AND ARE THE PROPERTY OF JOYCE WANG LTD. AND WERE CREATED AND DEVELOPED FOR USE IN CONNECTION WITH THE SPECIFIED PROJECT. NONE OF SUCH IDEAS, DESIGNS OR PLANS SHALL BE USED FOR ANY PURPOSE WHATSOEVER WITHOUT WRITTEN PERMISSION OF JOYCE WANG LTD. DO NOT SCALE FROM DRAWINGS. CONTRACTORS HAVE THE RESPONSIBILITY TO DEVELOP ALL DETAILS FURTHER WHEN REQUIRED. DO NOT SCALE FROM THIS DRAWING.



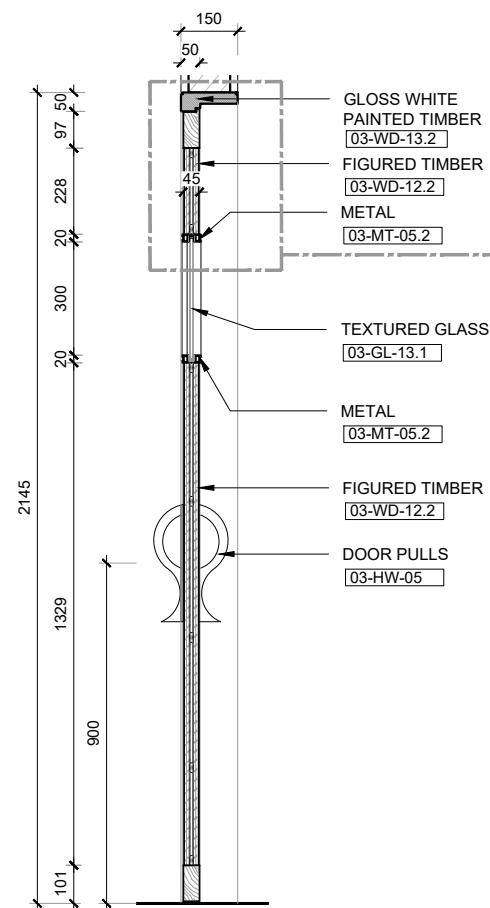
A PLAN
1:20@A3



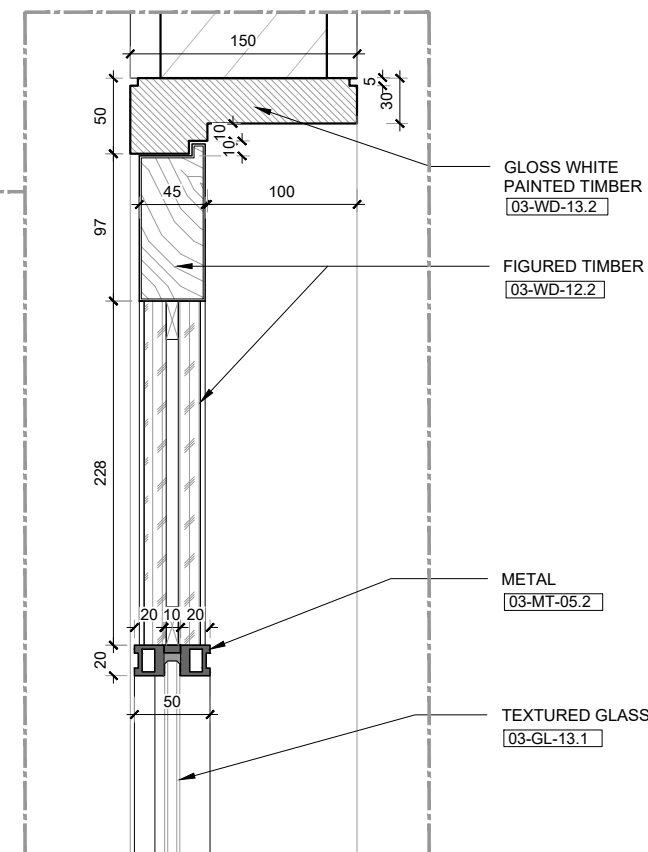
B DETAIL
1:5@A3



C ELEVATION
1:20@A3



D SECTION
1:20@A3



E DETAIL
1:5@A3