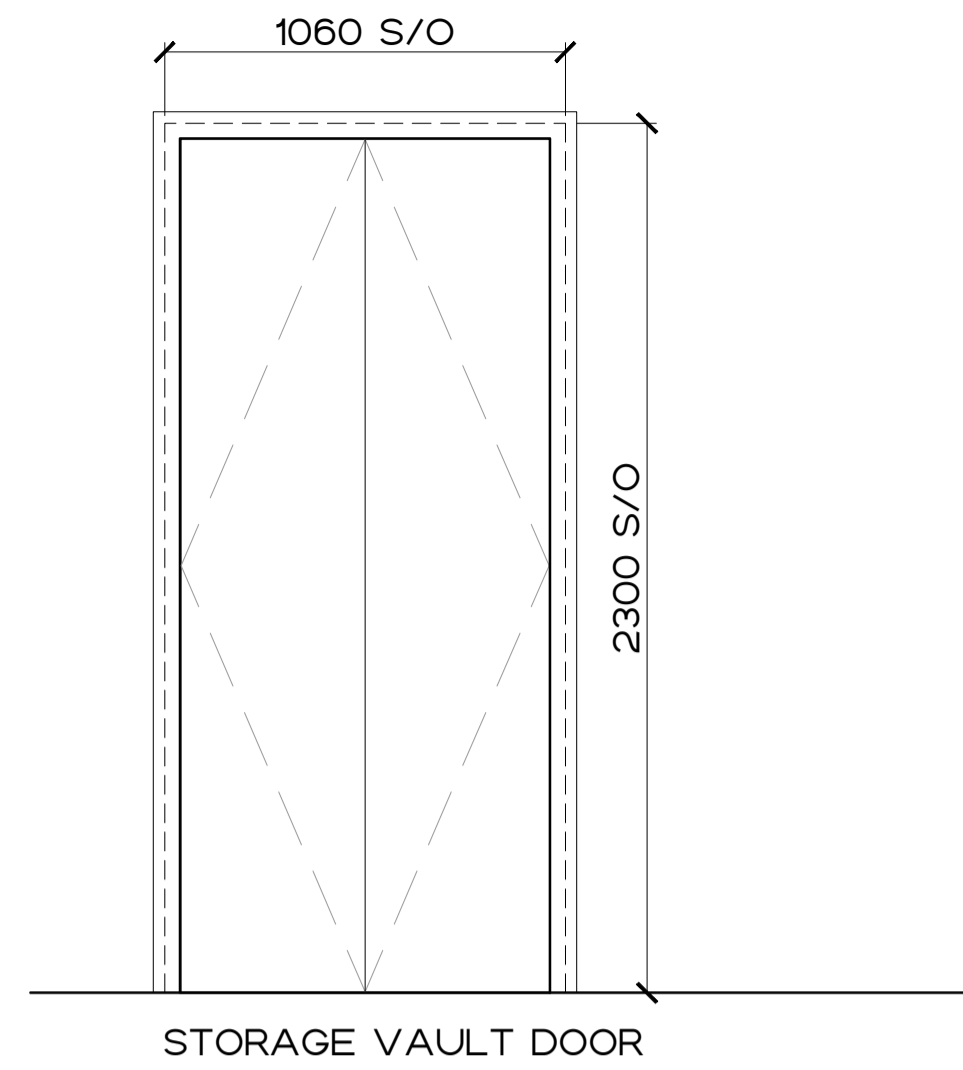


44MM SOLID CORE DOOR

NOTES:

- 1. DOUBLE DOOR

BD.10



PDR ESCAPE DOOR

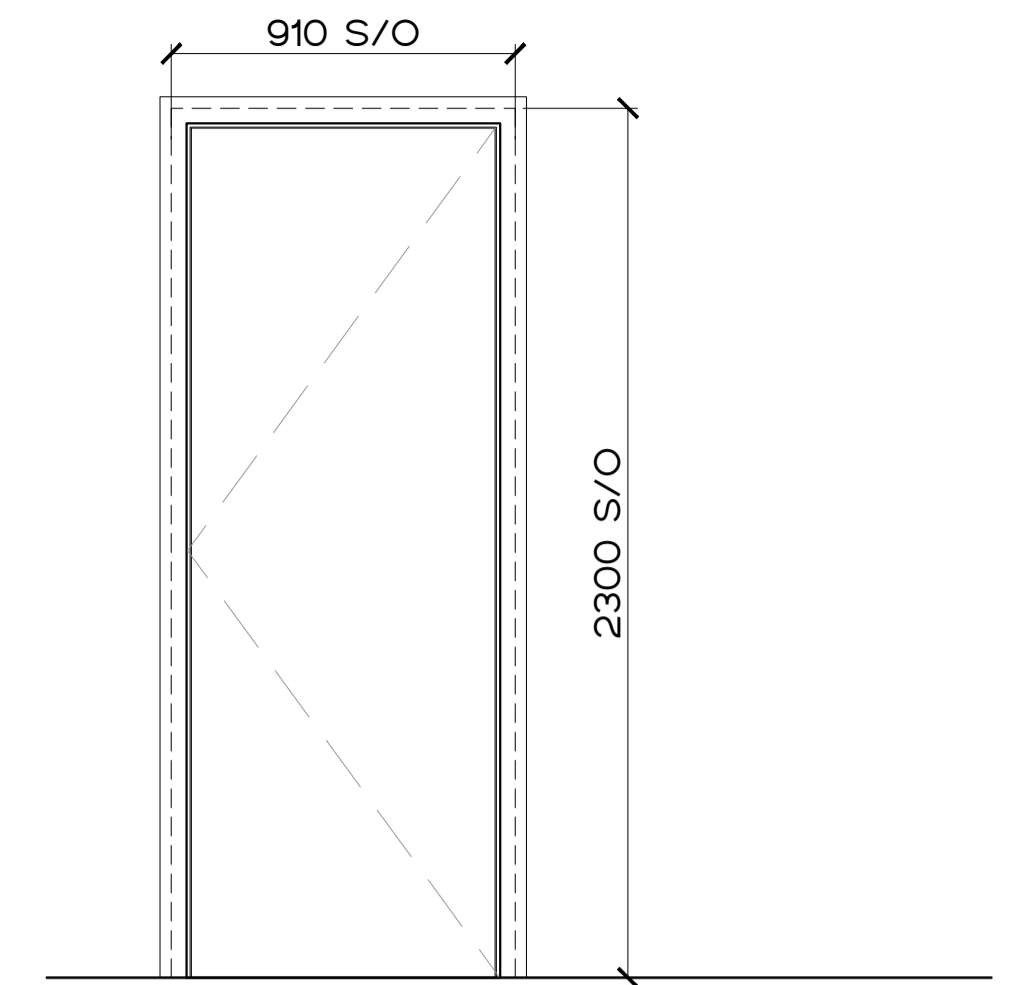
44MM SOLID CORE

FD30

NOTES:

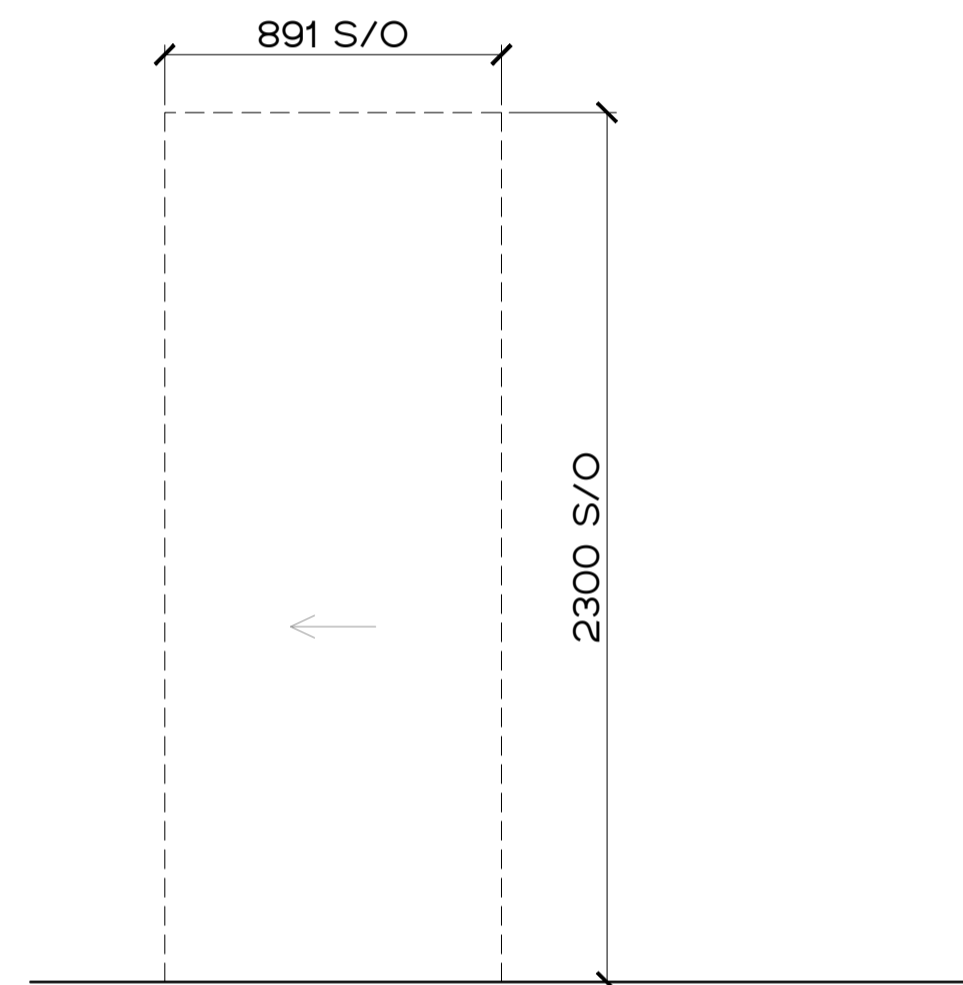
- 1.

DB.14



FREEZER ROOM DOOR TO KMS SPECIFICATION

DB.11



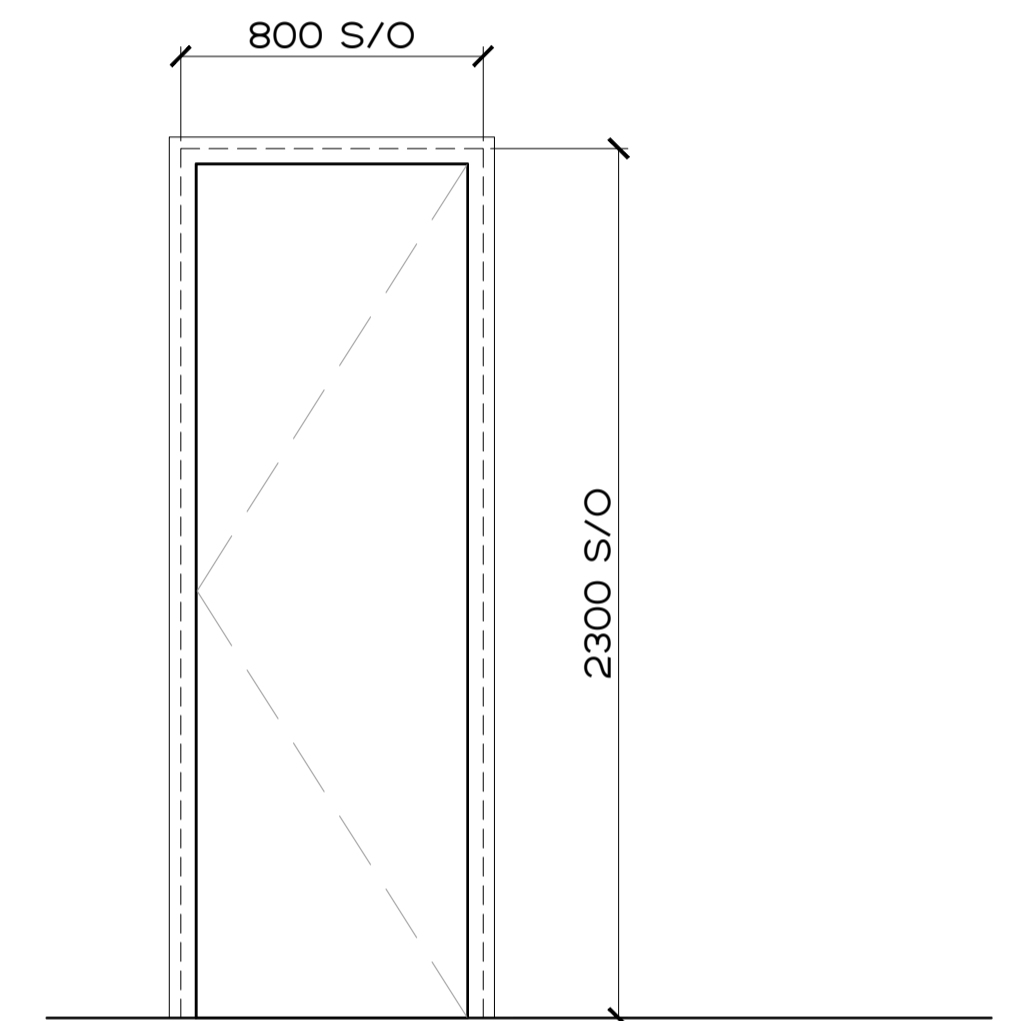
44MM SOLID CORE DOOR

FD30

NOTES:

- 1.

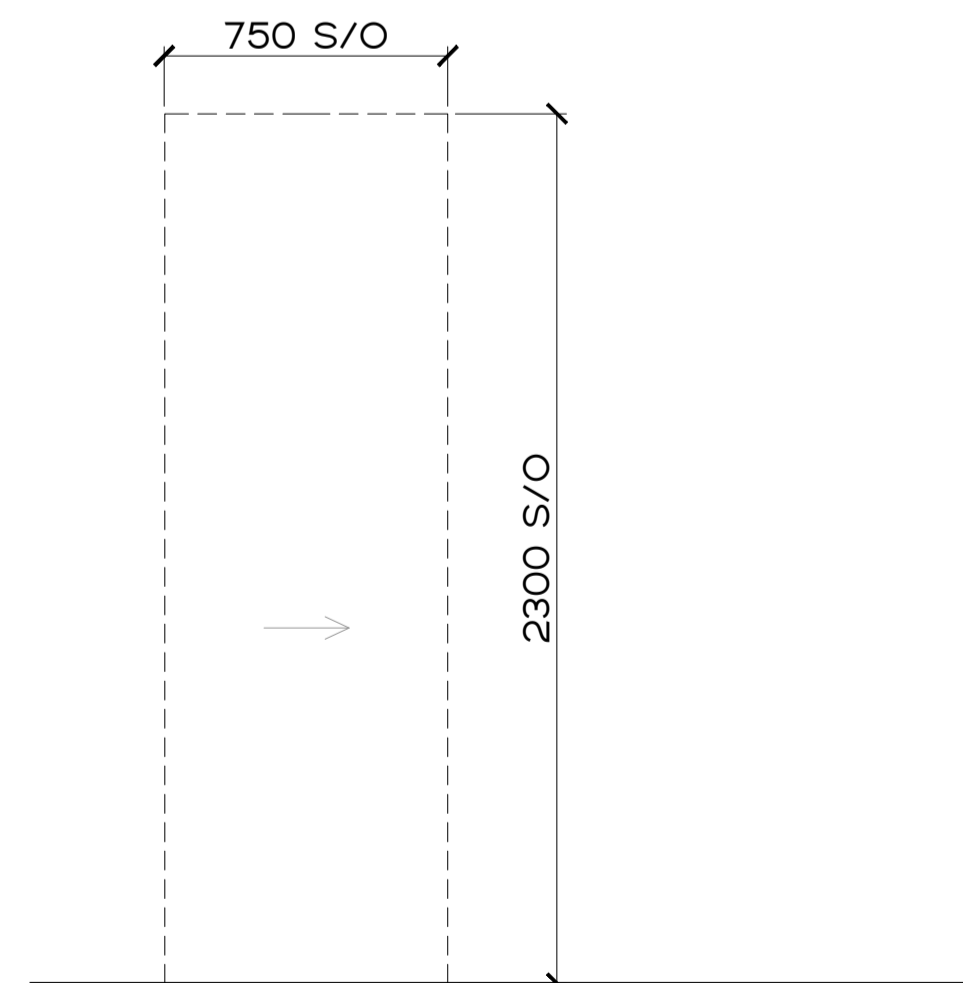
- DB.15 RHO
- DB.18 LHO
- DB.26 RHO



DOOR TO KMS SPEC

COLD ROOM DOOR TO KMS SPECIFICATION

DB.12  
DB.13



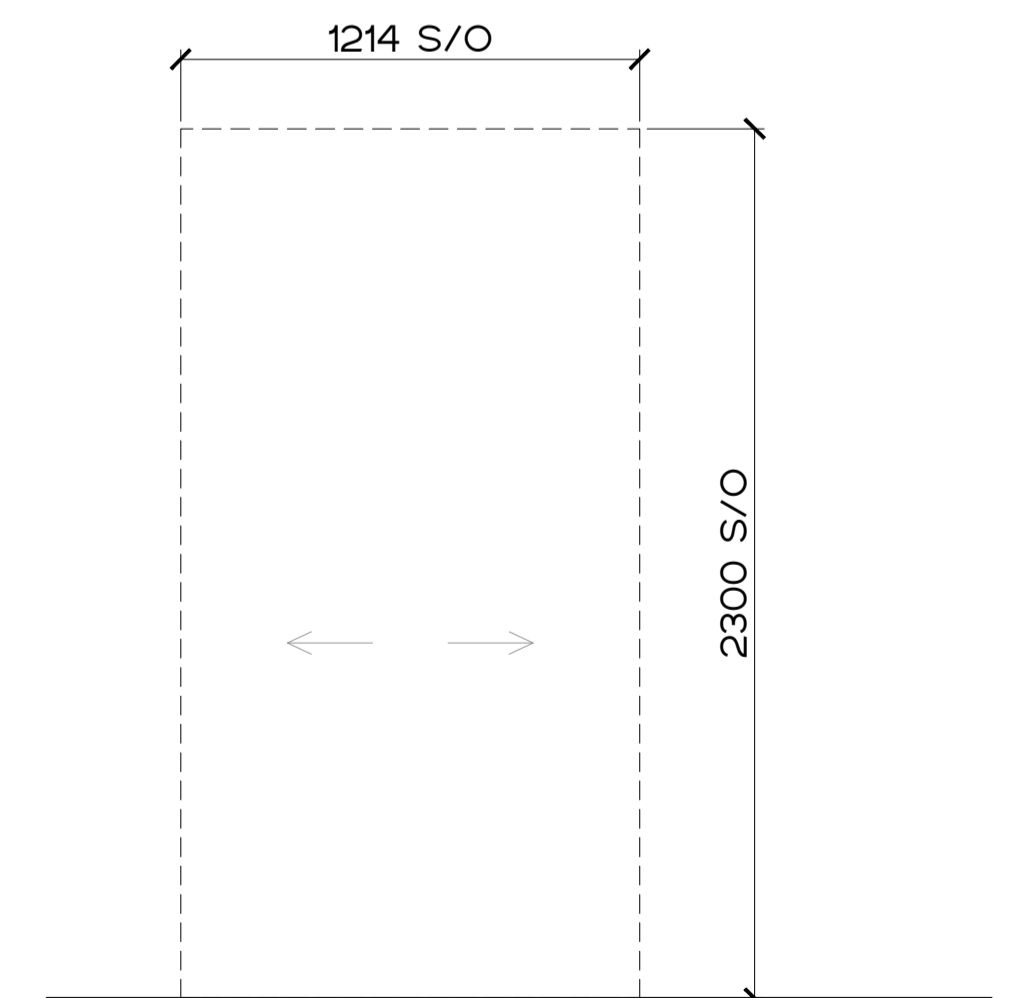
PLANT ROOM DOOR

FD30

NOTES:

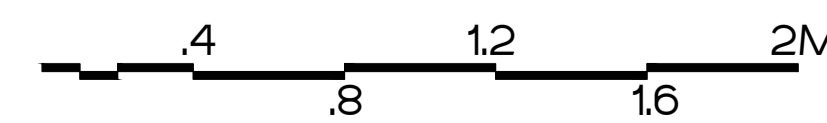
- 1.

DB.16



DISCLAIMER  
THIS DRAWING IS THE COPYRIGHT OF RIGBY & RIGBY. DO NOT SCALE, ALL DIMENSIONS TO BE CHECKED ON SITE. PLEASE REFER TO WWW.RIGBYANDRIGBY.COM/LEGAL FOR ALL TERMS & CONDITIONS.

REVISIONS



MONTPELIANO  
KNIGHTSBIRDGE  
PROPOSED DOOR SCHEDULE  
INTERNAL DOORS  
200\_597 REV -  
1:20 @A1, 1:40 @ A3  
COMMENT

RIGBY & RIGBY

+44 (0)20 3418 0446  
RIGBYANDRIGBY.COM

