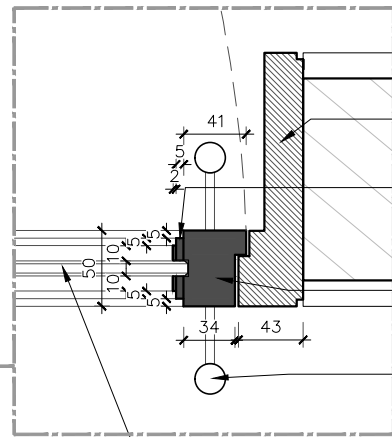


A PLAN
1:20@A3

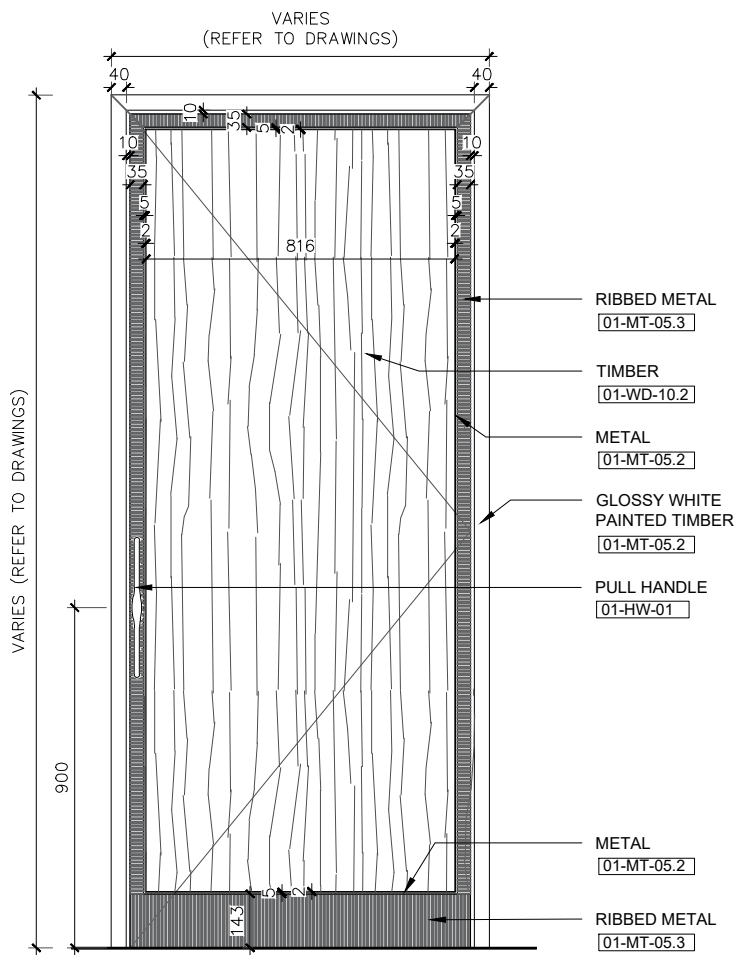


B DETAIL
1:5@A3

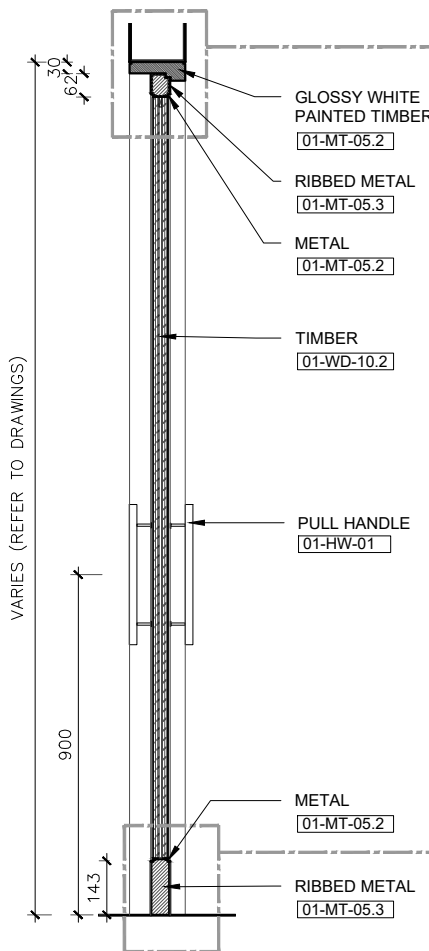
- GLOSSY WHITE PAINTED TIMBER [01-MT-05.2]
- METAL [01-MT-05.2]
- RIBBED METAL [01-MT-05.3]
- PULL HANDLE [01-HW-01]
- TIMBER [01-WD-10.2]

DOOR CODE	D102
DOOR LOCATION	BOH DOOR
APPEARS ON	GROUND FLOOR
HINGE	CONCEALED, PVC.
SLIDING TRACK	--
LOCK & BOLT SET	--
DOOR CLOSER	SOFT CLOSING
DOOR HANDLE	01-HW-01
STOPPER	--
VIEWER	--
DOOR GUARD	--
DOOR DROP SEAL	--
ELEC. CARD READER	--
MISCELLANEOUS	--
MISCELLANEOUS	--
FINISHES	AS PER SPECIFIED

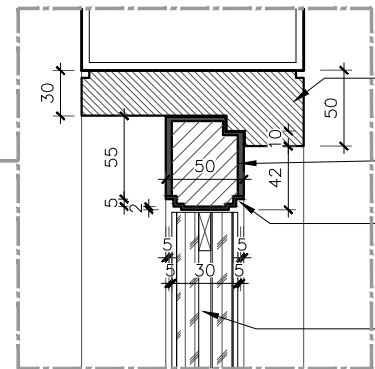
R&R Door Code: DO.05



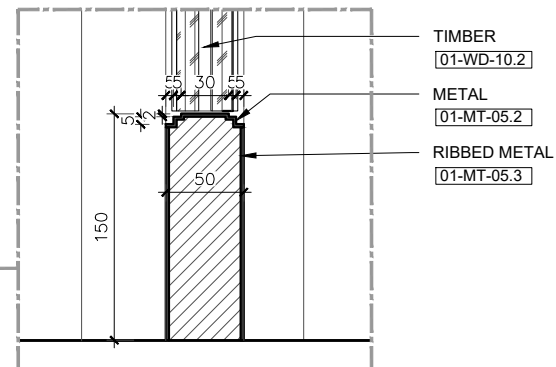
C ELEVATION
1:20@A3



D SECTION
1:20@A3



E DETAIL
1:5@A3



F DETAIL
1:5@A3

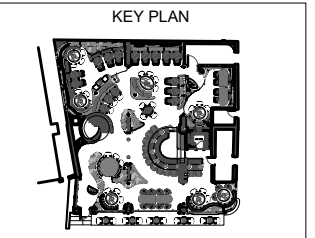
- TIMBER [01-WD-10.2]
- METAL [01-MT-05.2]
- RIBBED METAL [01-MT-05.3]

WANG
JFK | LHR | HKG

LHR
+44 (0) 207 436 8846
1 WARREN MEWS
LONDON
W1T 6AJ

HKG
+852 2804 1138
18 SAU WAH FONG, G/F,
WAN CHAI,
HONG KONG

NB. ALL DRAWING REFERENCE NUMBERS HAVE 'JW-ID-' PREFIX



DRAWING LEGEND

DET DETAIL LOCATION	ELE ELEVATION
XX MATERIAL	LIT-XXX LIGHTING
FFE-XXX FURNITURE	SA-XX SANITARY
HARDWARE	

REVISION	COMMENT	DATE
D2	100% DESIGN DEVELOPMENT	30.04.21

DESIGN INTENT ONLY

DESIGN DEVELOPMENT

PROJECT TITLE NAMMOS_LONDON	
DRAWING TITLE BOH DOOR - 102	
DRAWING NUMBER JW-ID-GF-7002	
DATE 30.04.2021	DRAWN CA
STUDIO LDN	CHECKED CS
JOB NUMBER NAM	SCALE VARIOUS@A3

ALL IDEAS, DESIGNS AND PLANS INDICATED OR REPRESENTED BY THESE DRAWINGS ARE OWNED BY AND ARE THE PROPERTY OF JWC WANG LTD. AND WERE CREATED AND DEVELOPED FOR USE IN CONNECTION WITH THE SPECIFIED PROJECT. NONE OF SUCH IDEAS, DESIGNS OR PLANS SHALL BE USED FOR ANY PURPOSE WHATSOEVER WITHOUT WRITTEN PERMISSION OF JWC WANG LTD. DO NOT SCALE FROM DRAWINGS. CONTRACTORS HAVE THE RESPONSIBILITY TO DEVELOP ALL DETAILS FURTHER WHEN REQUIRED. DO NOT SCALE FROM THIS DRAWING.