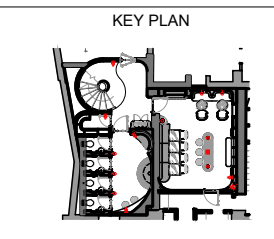


DOOR CODE	D112
DOOR LOCATION	CLOAKROOM DOOR
APPEARS ON	LOWER GROUND FLOOR
HINGE	CONCEALED. PVC.
SLIDING TRACK	--
LOCK & BOLT SET	--
DOOR CLOSER	--
DOOR HANDLE	03-HW-07
STOPPER	--
VIEWER	--
DOOR GUARD	--
DOOR DROP SEAL	--
ELEC. CARD READER	--
MISCELLANEOUS	--
MISCELLANEOUS	--
FINISHES	AS PER SPECIFIED

R&R Door Code: DB.03

NB. ALL DRAWING REFERENCE NUMBERS HAVE 'JW-ID-' PREFIX



DRAWING LEGEND

DET DETAIL LOCATION	ELE ELEVATION
XX MATERIAL	LIT-XXX LIGHTING
FFE-XXX FURNITURE	SA-XX HARDWARE
SA-XX SANITARY	

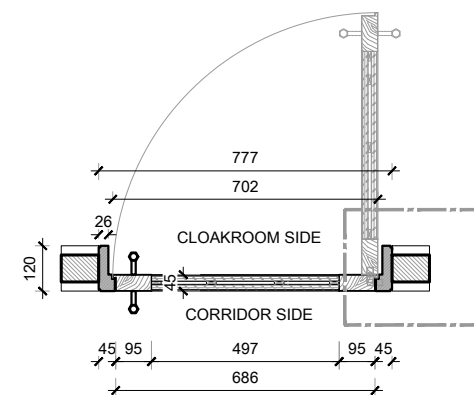
REVISION	COMMENT	DATE
D2	100% DESIGN DEVELOPMENT	30.04.21

DESIGN INTENT ONLY

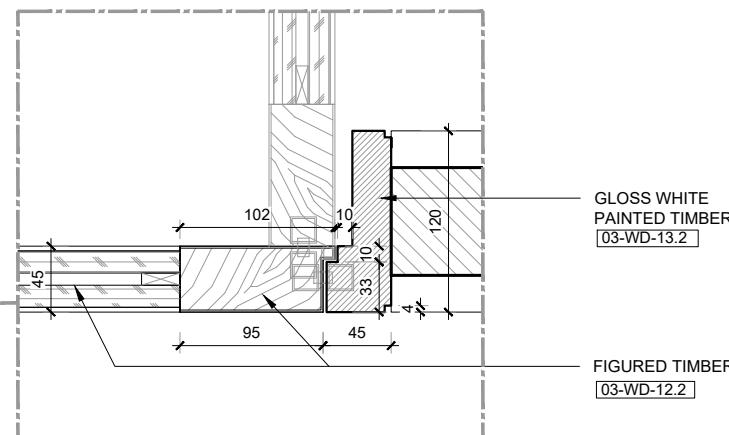
DESIGN DEVELOPMENT

PROJECT TITLE NAMMOS_LONDON	
DRAWING TITLE CLOAKROOM - 112	
DRAWING NUMBER JW-ID-LGF-7002	
DATE 30.04.2021	DRAWN CA
STUDIO LDN	CHECKED CS
JOB NUMBER NAM	SCALE VARIOUS@A3

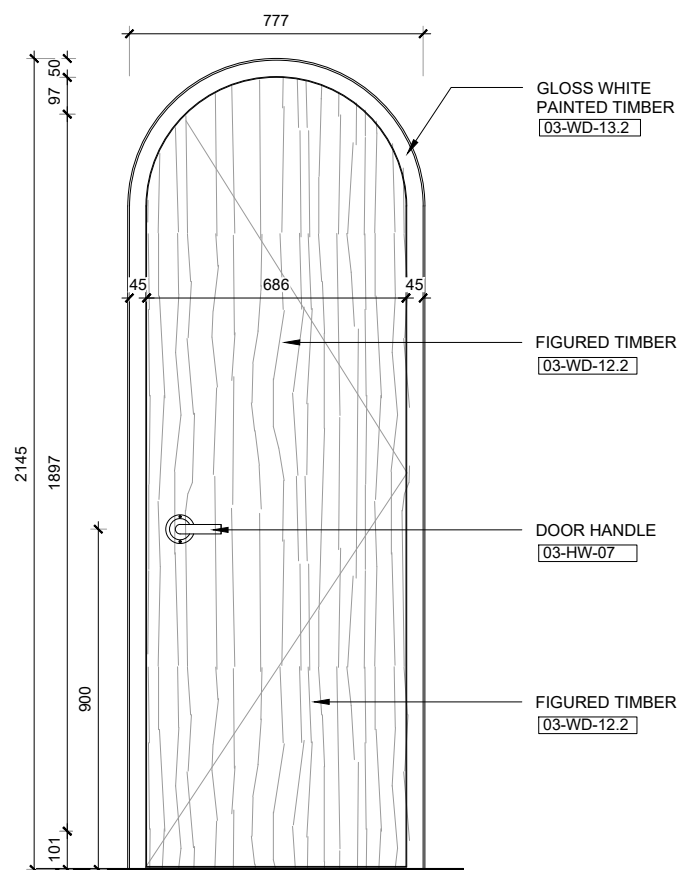
ALL IDEAS, DESIGNS AND PLANS INDICATED OR REPRESENTED BY THESE DRAWINGS ARE OWNED BY AND ARE THE PROPERTY OF JOYCE WANG LTD. AND WERE CREATED AND DEVELOPED FOR USE IN CONNECTION WITH THE SPECIFIED PROJECT. NONE OF SUCH IDEAS, DESIGNS OR PLANS SHALL BE USED FOR ANY PURPOSE WHATSOEVER WITHOUT WRITTEN PERMISSION OF JOYCE WANG LTD. DO NOT SCALE FROM DRAWINGS. CONTRACTORS HAVE THE RESPONSIBILITY TO DEVELOP ALL DETAILS FURTHER WHEN REQUIRED. DO NOT SCALE FROM THIS DRAWING.



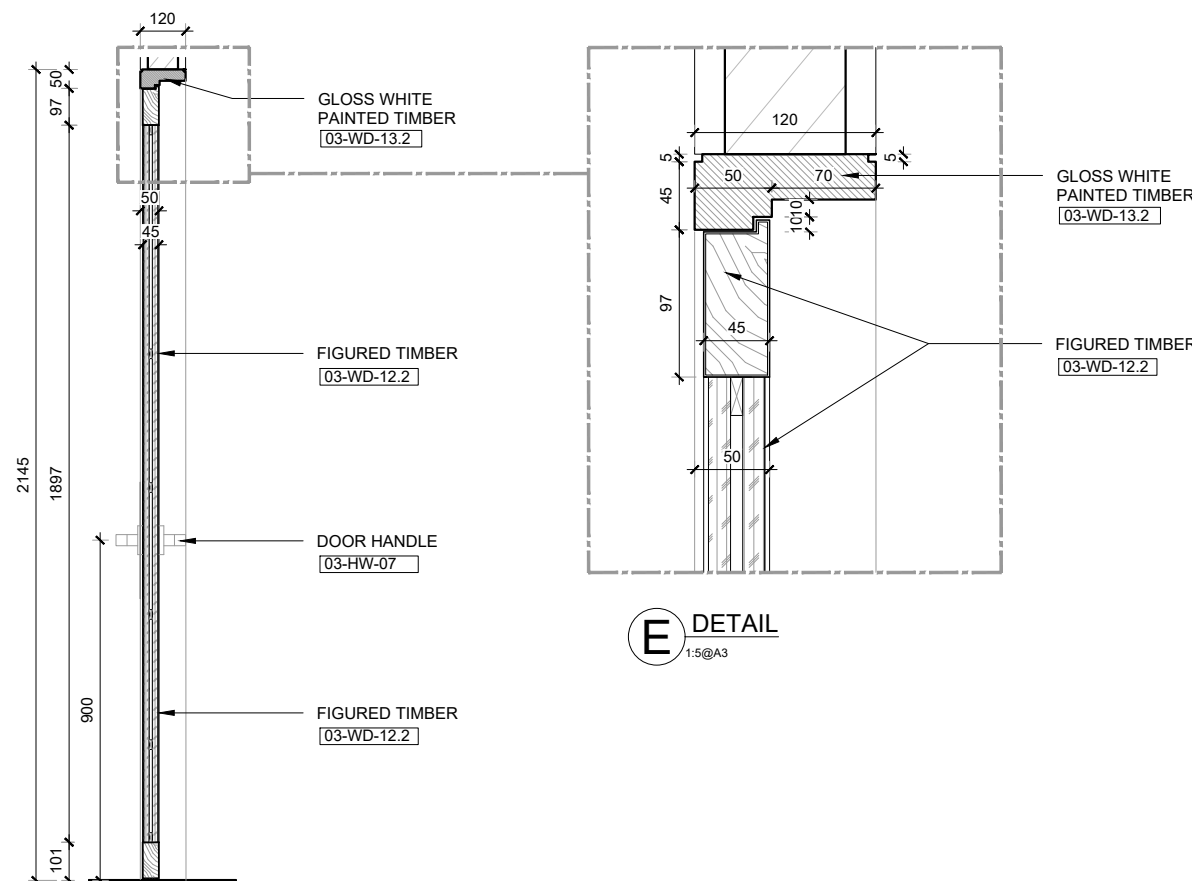
A PLAN
1:20@A3



B DETAIL
1:5@A3



C ELEVATION
1:20@A3



D SECTION
1:20@A3

E DETAIL
1:5@A3