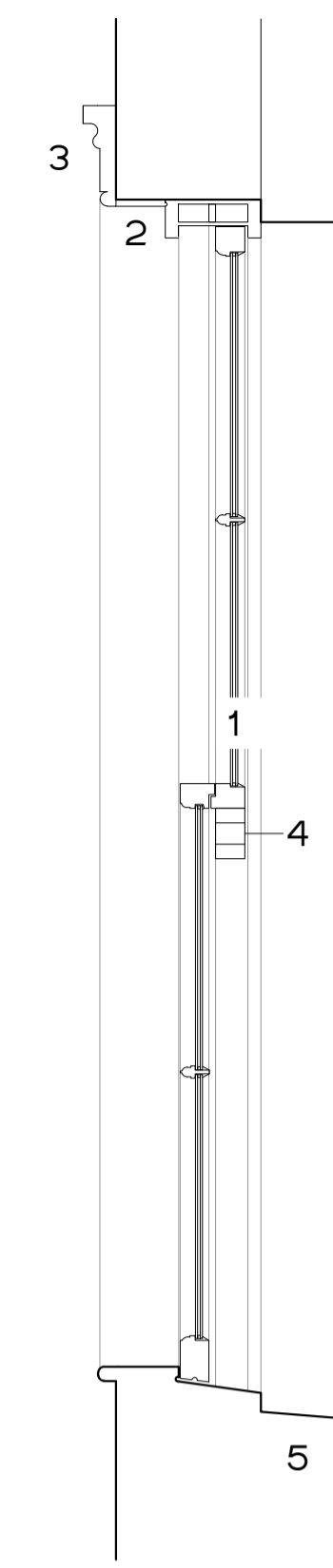
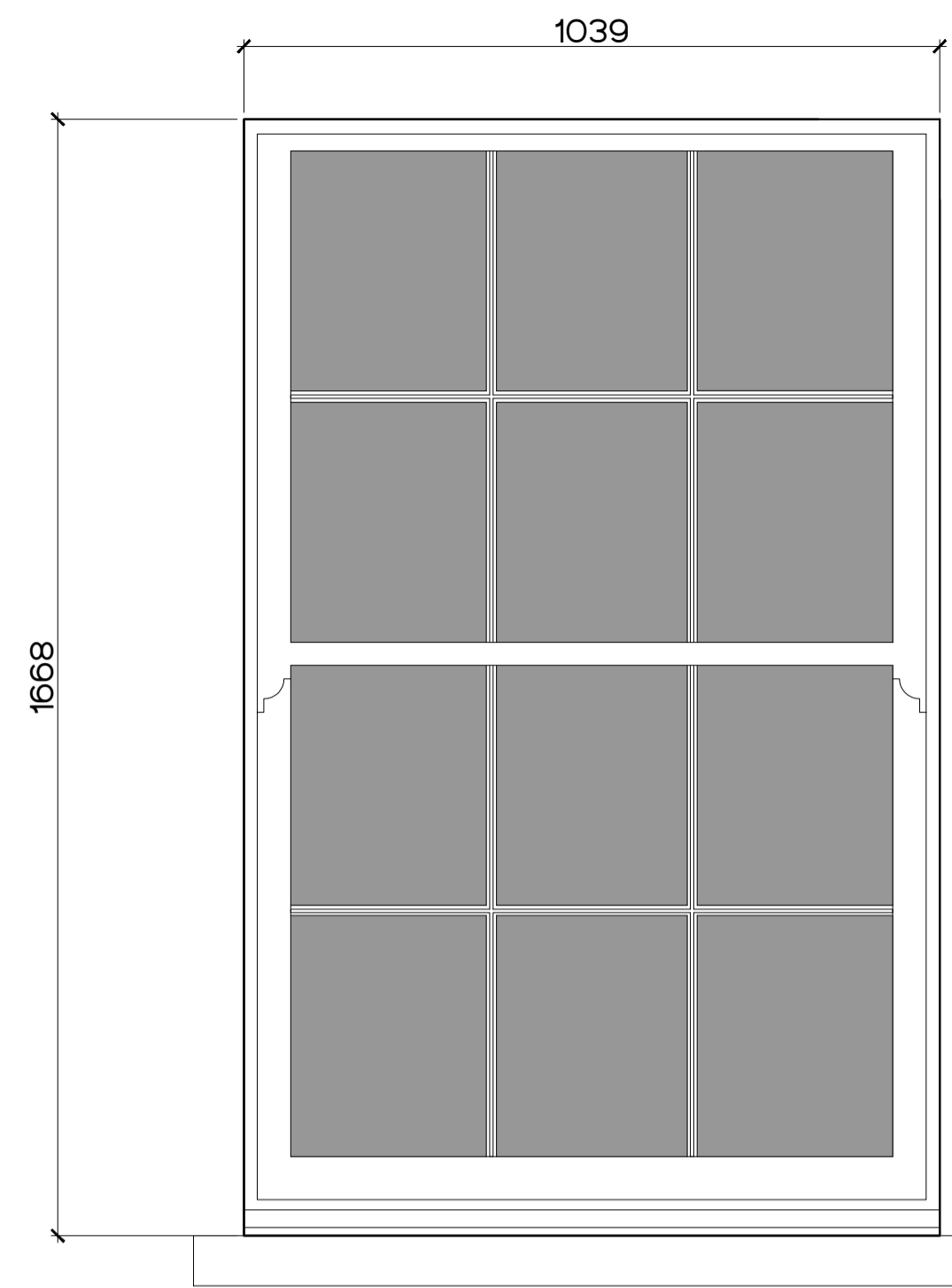


1. 10MM HD10, 10MM SUPER THIN DOUBLE GLAZING BY HISTOGLASS. TRANSLUCENT AS TO A BATHROOM
2. TRADITIONAL TIMBER SASH WINDOW CONSTRUCTION
3. TIMBER ARCHITRAVE TO MATCH EXISTING AS PER APPROVED DRAWING 200_510
4. SASH HORNS TO MATCH EXISTING
5. EXISTING STONE CILL TO BE RETAINED

N.B. ALL DIMENSIONS ARE TO BE CHECKED ON SITE BY CONTRACTOR. RECESS ALREADY EXISTS WITHIN ELEVATION

W1.11

1:10 PROPOSED SECTION

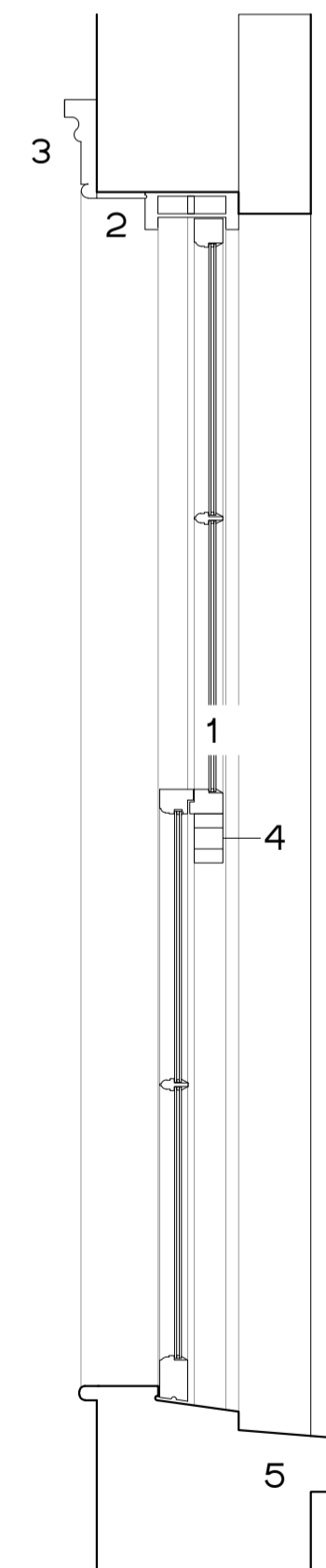
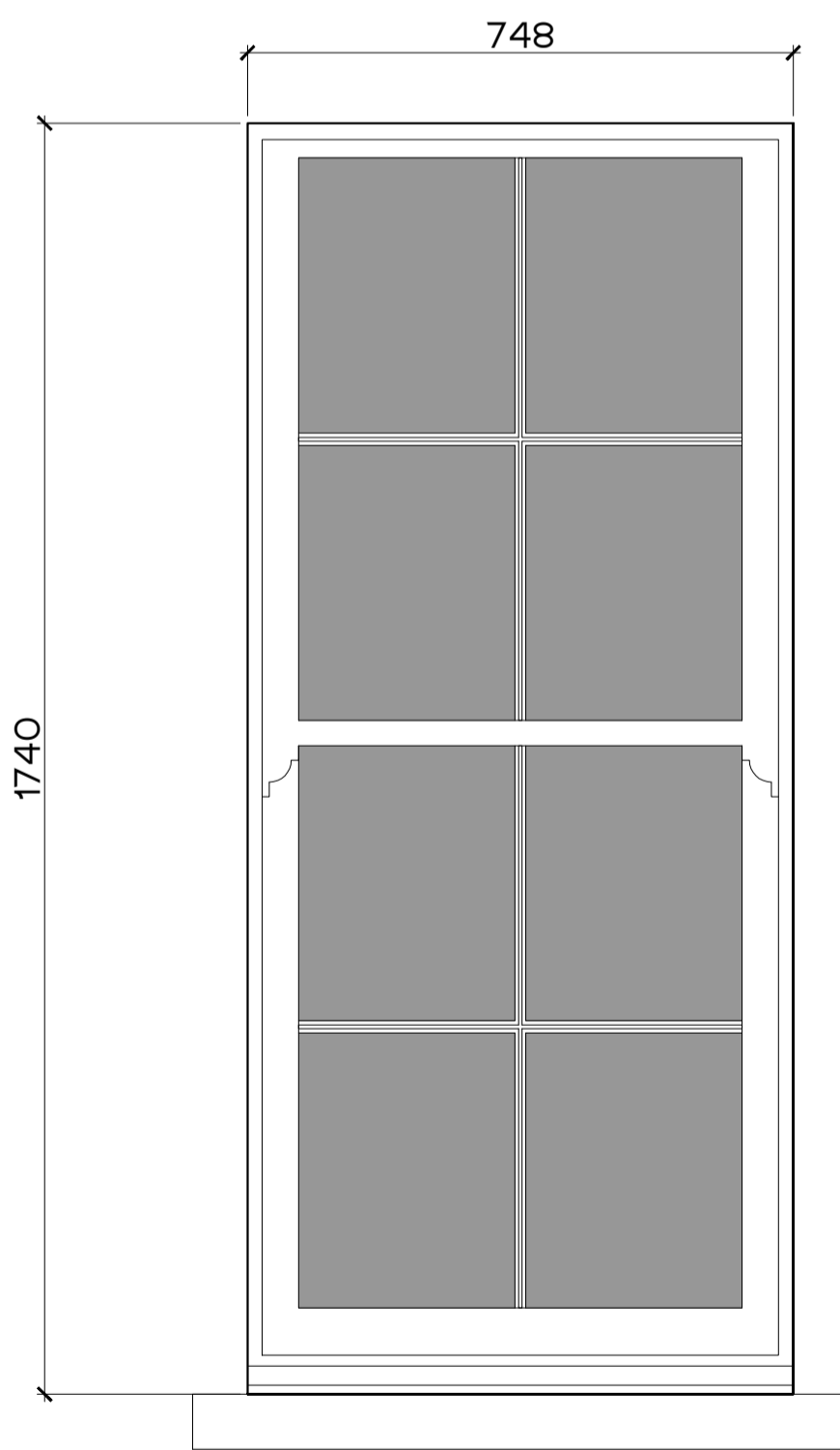


1. 10MM HD10, 10MM SUPER THIN DOUBLE GLAZING BY HISTOGLASS. TRANSLUCENT AS TO A BATHROOM
2. TRADITIONAL TIMBER SASH WINDOW CONSTRUCTION
3. TIMBER ARCHITRAVE TO MATCH EXISTING AS PER APPROVED DRAWING 200_510
4. SASH HORNS TO MATCH EXISTING
5. EXISTING STONE CILL TO BE RETAINED

N.B. ALL DIMENSIONS ARE TO BE CHECKED ON SITE BY CONTRACTOR. WINDOW TO REPLACE EXISTING IN ELEVATION

W2.13

1:10 PROPOSED SECTION

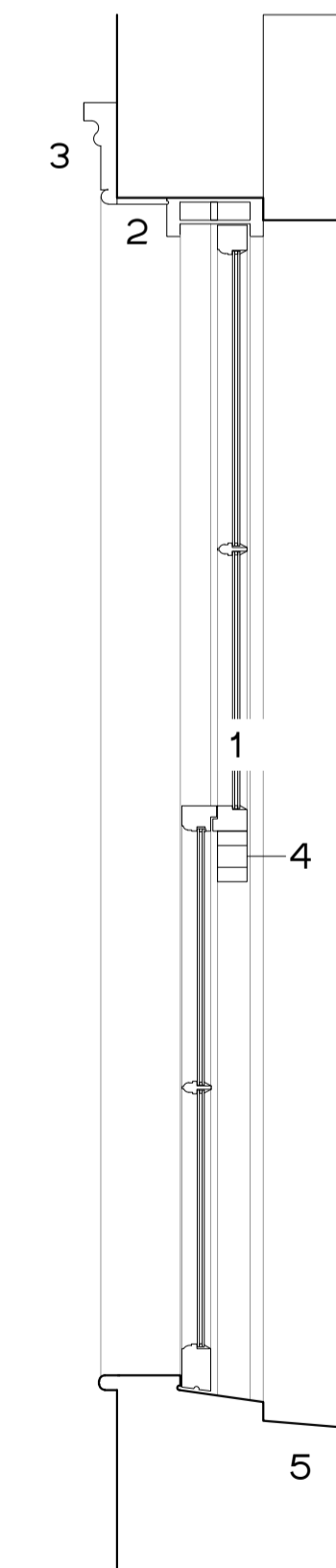
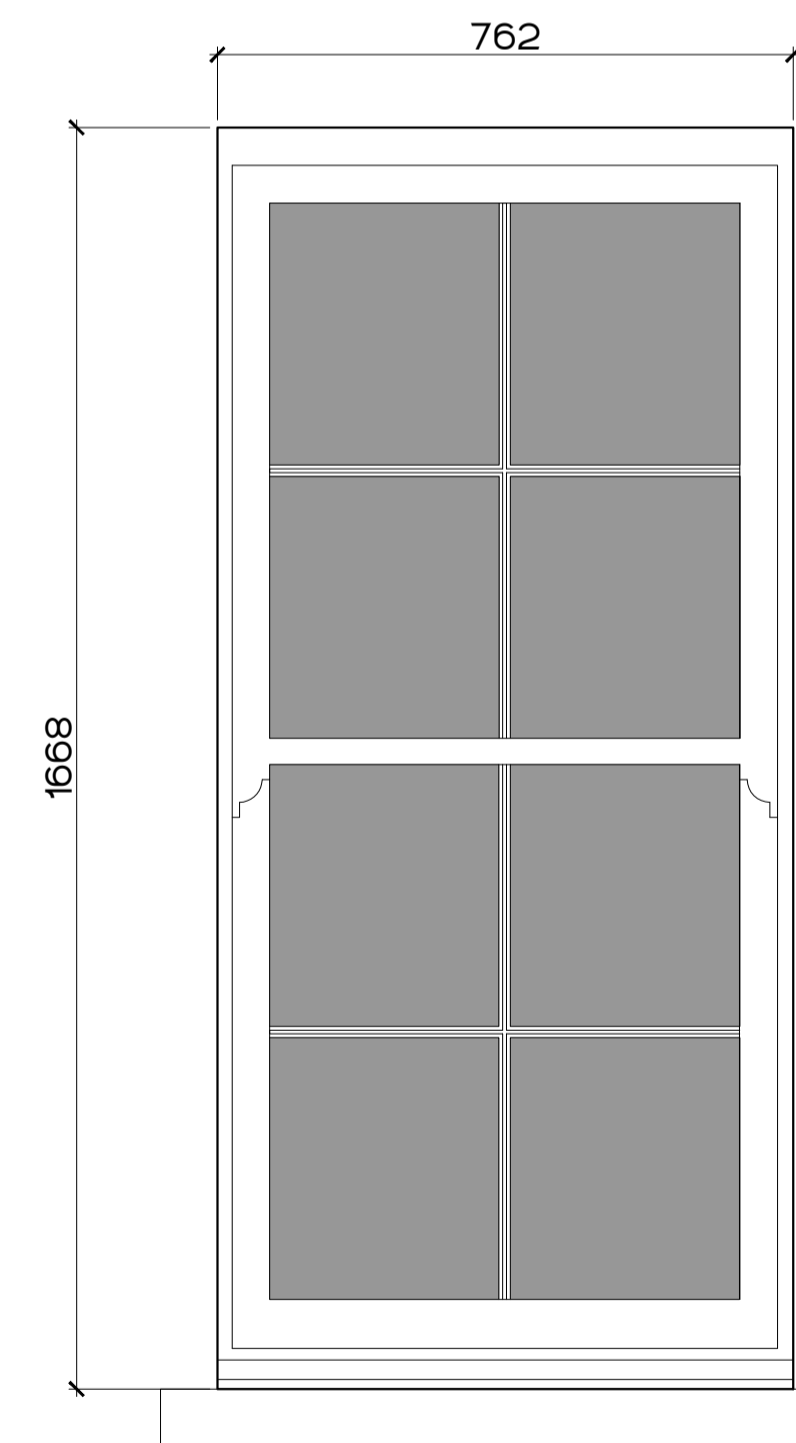


1. 10MM HD10, 10MM SUPER THIN DOUBLE GLAZING BY HISTOGLASS. CLEAR
2. TRADITIONAL TIMBER SASH WINDOW CONSTRUCTION
3. TIMBER ARCHITRAVE TO MATCH EXISTING AS PER APPROVED DRAWING 200_510
4. SASH HORNS TO MATCH EXISTING
5. EXISTING STONE CILL TO BE MOVED & RETAINED

N.B. ALL DIMENSIONS ARE TO BE CHECKED ON SITE BY CONTRACTOR

W2.11

1:10 PROPOSED SECTION



1. 10MM HD10, 10MM SUPER THIN DOUBLE GLAZING BY HISTOGLASS. CLEAR
2. TRADITIONAL TIMBER SASH WINDOW CONSTRUCTION
3. TIMBER ARCHITRAVE TO MATCH EXISTING AS PER APPROVED DRAWING 200_510
4. SASH HORNS TO MATCH EXISTING
5. EXISTING STONE CILL TO BE MOVED & RETAINED

N.B. ALL DIMENSIONS ARE TO BE CHECKED ON SITE BY CONTRACTOR

W2.14

1:10 PROPOSED SECTION

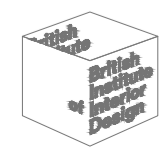
NEW WINDOWS ON THE WEST ELEVATION. REFER TO DRAWING 200_453 FOR WINDOW CODES



DISCLAIMER

THIS DRAWING IS THE COPYRIGHT OF RIGBY & RIGBY. DO NOT SCALE. ALL DIMENSIONS TO BE CHECKED ON SITE. PLEASE REFER TO WWW.RIGBYANDRIGBY.COM/LEGAL FOR ALL TERMS & CONDITIONS.

REVISIONS



MONTPELIANO
KNIGHTSBRIDGE
PROPOSED WINDOW DETAILS
SECTIONS & ELEVATIONS
200_552 REV -
1:10 @ A1, 1:20 @ A3
INFORMATION



+44 (0)20 3418 0446
RIGBYANDRIGBY.COM