

Section A-A through the text
Scale 1:5

Letters are screw fixed on spacers to the existing stone fascia.

Built-up letters have 1.2mm brass faces and returns with the returns painted different colours - green, pink, red and yellow for the four different letter shapes.

Flat cut 10mm opal 030 acrylic backs.

Fitted with low energy warm white LEDs for halo illumination.



Proposed

Menu - 2 off
Scale 1:10

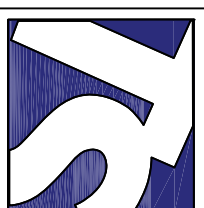
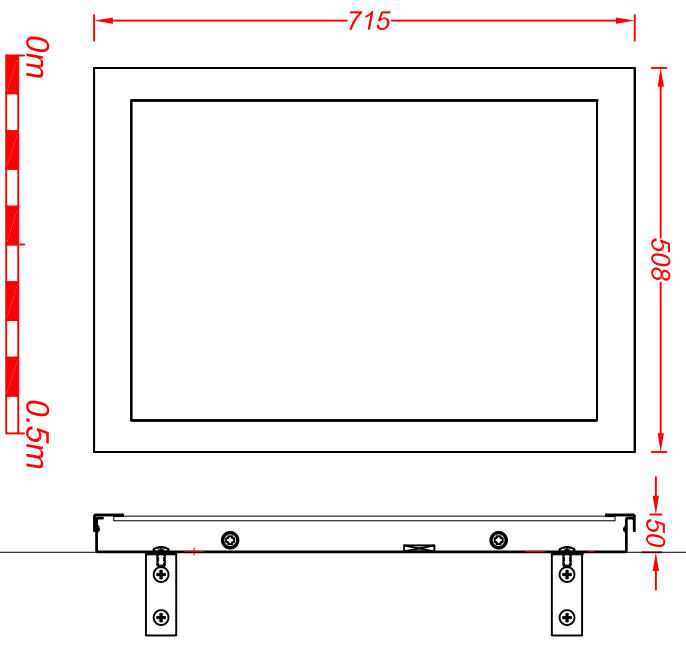
Folded and welded 1.2mm polished brass front door and hinged back.

6mm toughened glass face.

Steel hinge and chrome lock.

Fitted with low energy white LEDs for internal illumination.

Small brackets on the rear of the box allow screw fixings into the sides of the columns.



Technical Signs
Floor 1 - Unit 3
Hille Business Centre
132 St Albans Road
Watford, Herts, WD24 4AE
Tel: 01923 811999
Fax: 01923 811998
Email: info@technicalsigns.co.uk

Client: Tablu		Address/Job details	
1 Dover St		Mayfair	
W1S 4LD		Proposed Signs	
Job No			
Drawn by	DN	Date	18/06/21
Scale	As specified (A3)		Drawing No
			596442-2
		Rev	