

**Section A-A through the text**  
Scale 1:5

Letters are screw fixed on spacers to the existing stone fascia.

Built-up letters have 1.2mm brass faces and returns with the returns painted different colours - green, pink, red and yellow for the four different letter shapes.

Flat cut 10mm opal 030 acrylic backs.

Fitted with low energy warm white LEDs for halo illumination.

**Menu - 2 off**  
Scale 1:10

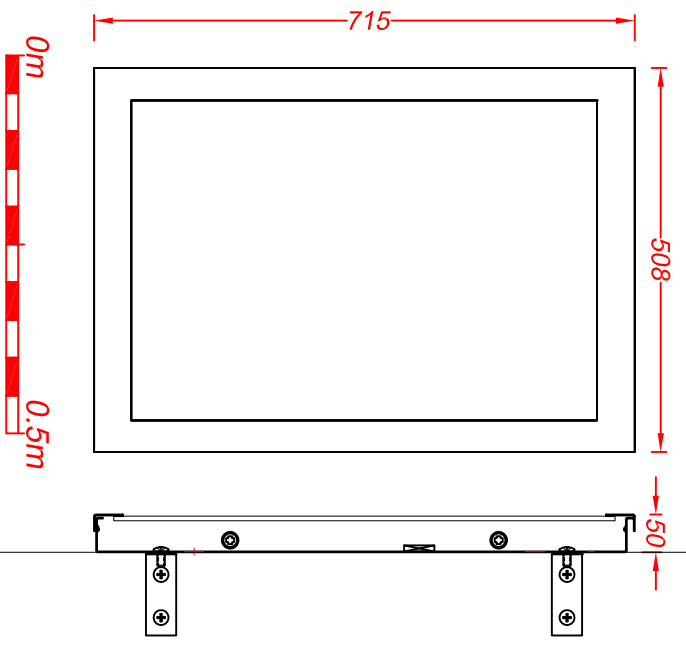
Folded and welded 1.2mm polished brass front door and hinged back.

6mm toughened glass face.

Steel hinge and chrome lock.

Fitted with low energy white LEDs for internal illumination.

Small brackets on the rear of the box allow screw fixings into the sides of the columns.



**Proposed**

A Shopfront altered

10/09/21



**Technical Signs**  
Floor 1 - Unit 3  
Hille Business Centre  
132 St Albans Road  
Watford, Herts, WD24 4AE  
Tel: 01923 811999  
Fax: 01923 811998  
Email: info@technicalsigns.co.uk

Client: Tabu  
Address/Job details  
1 Dover St  
Mayfair  
W1S 4LD

Proposed Signs

Drawn by	DN	Date	18/06/21
Scale	As specified (A3)	Drawing No	596442-2
		Rev	A