

DO NOT SCALE FROM DRAWING – IF IN DOUBT ASK

TF500/4B-3AC EXTRACT FAN DETAIL

RPM: 1445
 SUPPLY: 400v THREE PHASE 50 Hz
 MOTOR RATING: 1.62kW
 F.L. CURRENT: 3.2A
 WEIGHT: 53kg

NOISE DETAILS

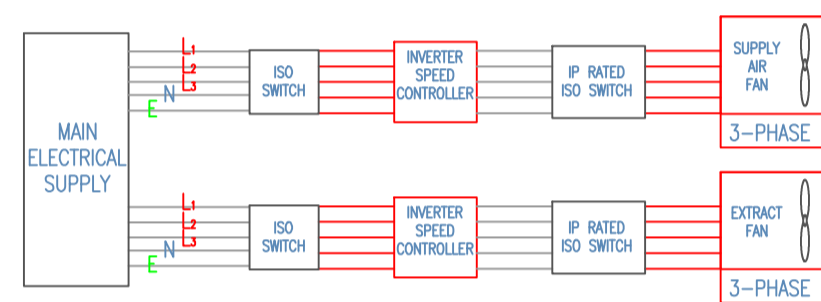
FREQUENCY Hz	63	125	250	500	1K	2K	4K	8K	TOTAL
INLET dBW	78	86	89	83	77	74	70	63	92
OUTLET dBW	79	86	88	82	79	75	71	64	91

TF500/4A-3AC SUPPLY AIR FAN DETAIL

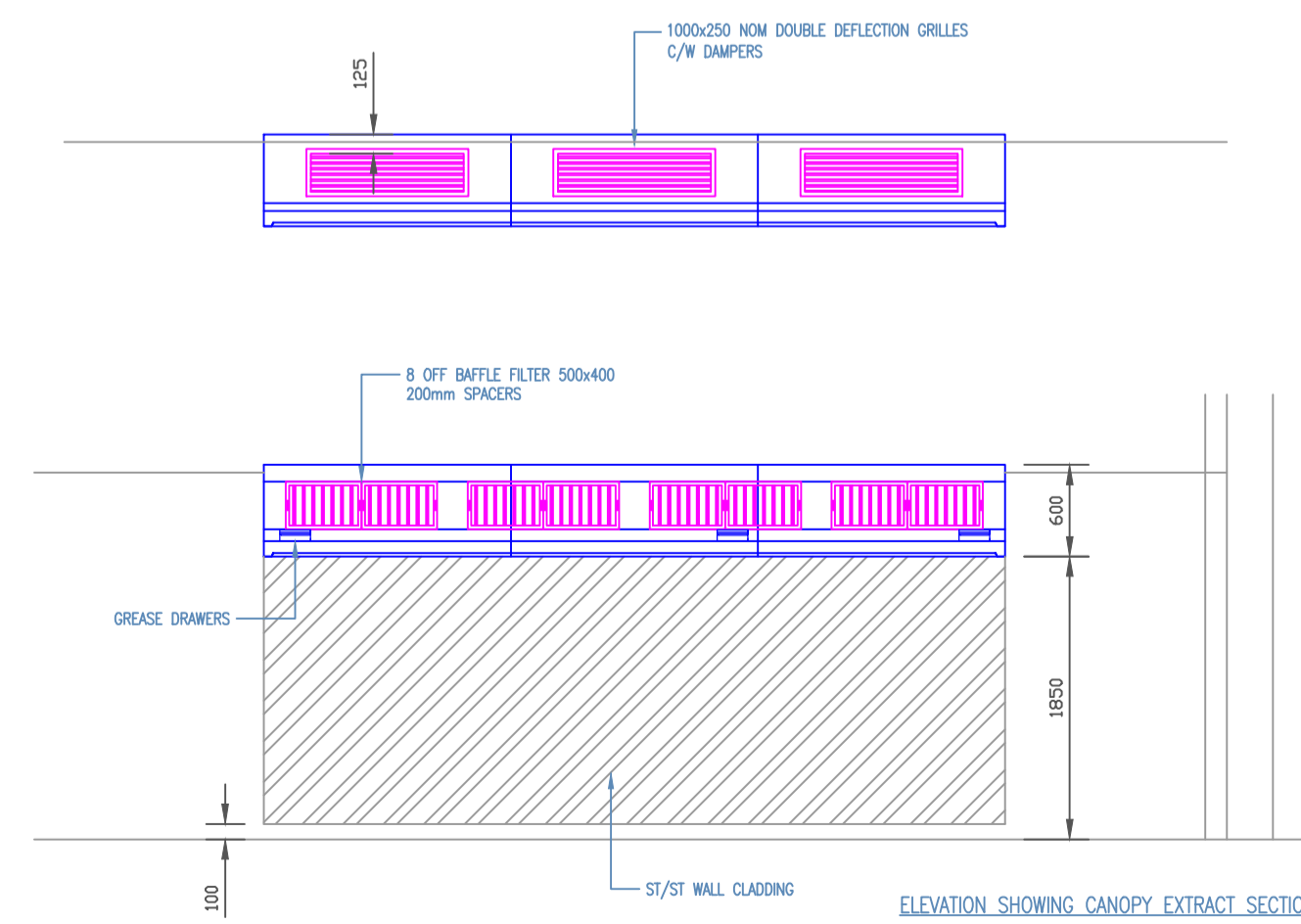
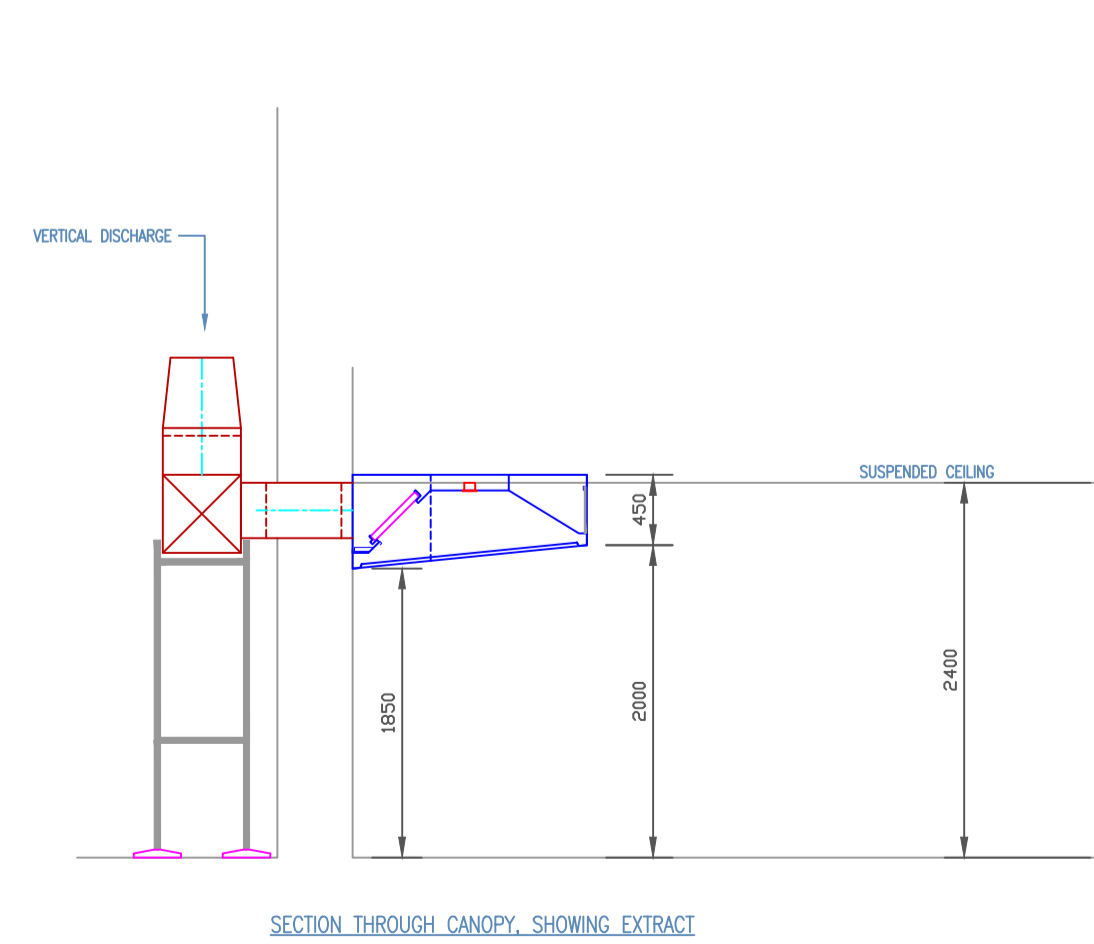
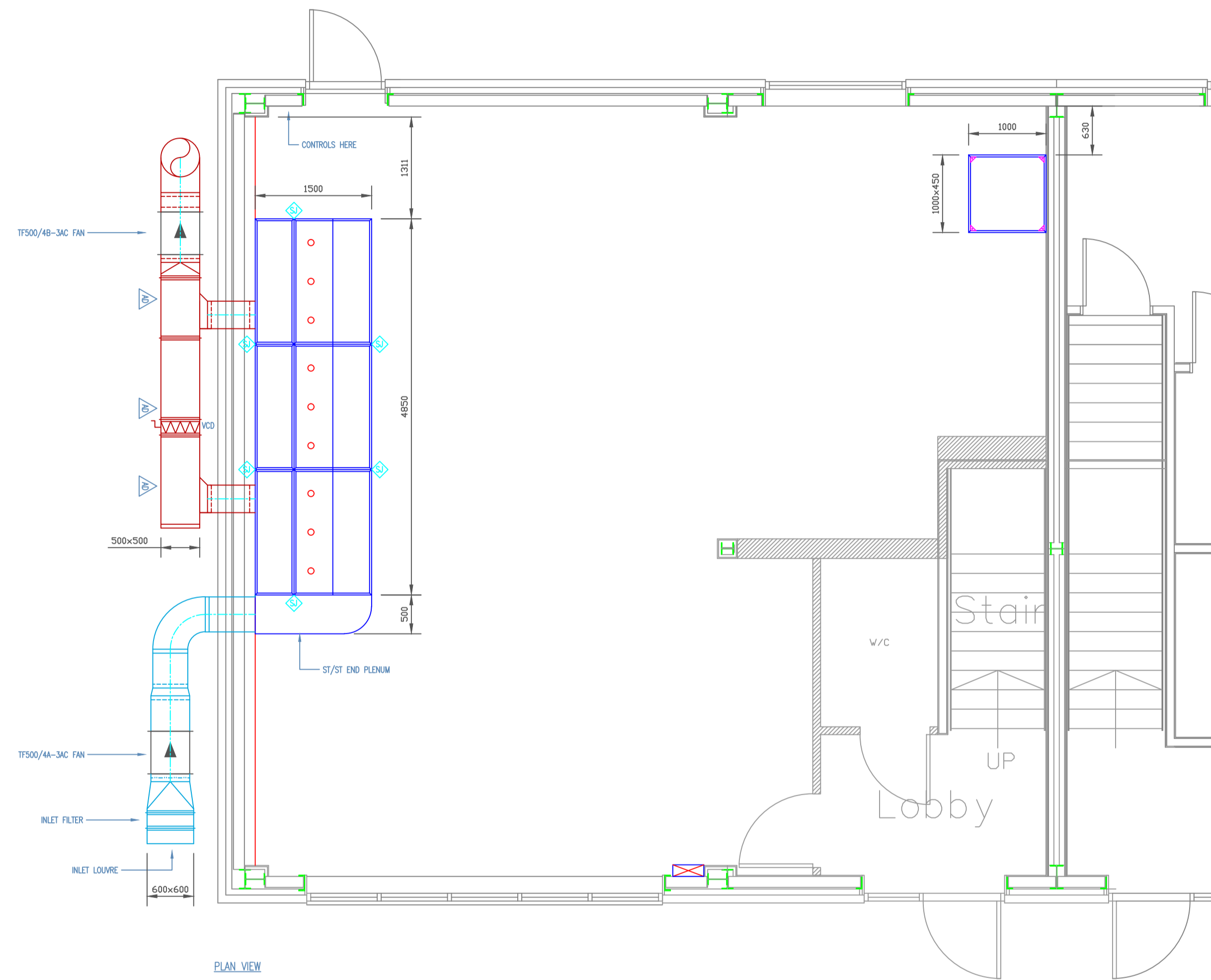
RPM: 1465
 SUPPLY: 400v THREE PHASE 50 Hz
 MOTOR RATING: 881W
 F.L. CURRENT: 3.94A
 WEIGHT: 53kg

NOISE DETAILS

FREQUENCY Hz	63	125	250	500	1K	2K	4K	8K	TOTAL dBA@3m
INLET dBW	79	91	97	81	78	74	70	64	98
OUTLET dBW	79	89	95	81	79	76	72	67	96



WE WILL SUPPLY/CONNECT ITEMS IN RED ONLY.
 ALL OTHER FEEDS/HARDWARE BY OTHERS.
 CONTROLLER POSITION AS SHOWN.
 CONNECTION TO CANOPY LIGHTS BY OTHERS



NOTES

UNLESS SPECIFIED, AGREED AND INDICATED, ALL DUCTWORK TO BE PLAIN GALVANISED STEEL.

CANOPY TO FABRICATED FROM 18g STAINLESS STEEL GRADE 304 S16 (EN58E) TO BS 1449-PART 4 AND BS 970-PART 4. SATIN FINISH No4, ALL WELDED CONSTRUCTION.

⬡ = BOLTED SITE JOINT

Rev	Description	Date
PROJECT		
MAISON BLEU		
IP31 3SH		
CLIENT		
DESCRIPTION		
VENTILATION DETAILS		
<p>THE COPYRIGHT OF THIS DRAWING IS OWNED BY NATIONWIDE VENTILATION. THE CONTENTS OF THIS DRAWING MAY NOT BE COPIED NOR MANUFACTURED IN WHOLE OR IN PART WITHOUT PRIOR WRITTEN PERMISSION FROM NATIONWIDE VENTILATION.</p>		
30 SECOND AVE CHATHAM KENT ME4 5AU		
MANUFACTURERS OF KITCHEN EXTRACT SYSTEMS AND DUCTWORK		
TEL: 01634 811116 FAX: 01634 811131		
SCALE 1:50 @ A1	REVISION:	
DRAWN: IT	CHECKED:	
DRAWING No: NWV8398/1	DATE: 12.08.21	