

GENERAL NOTES

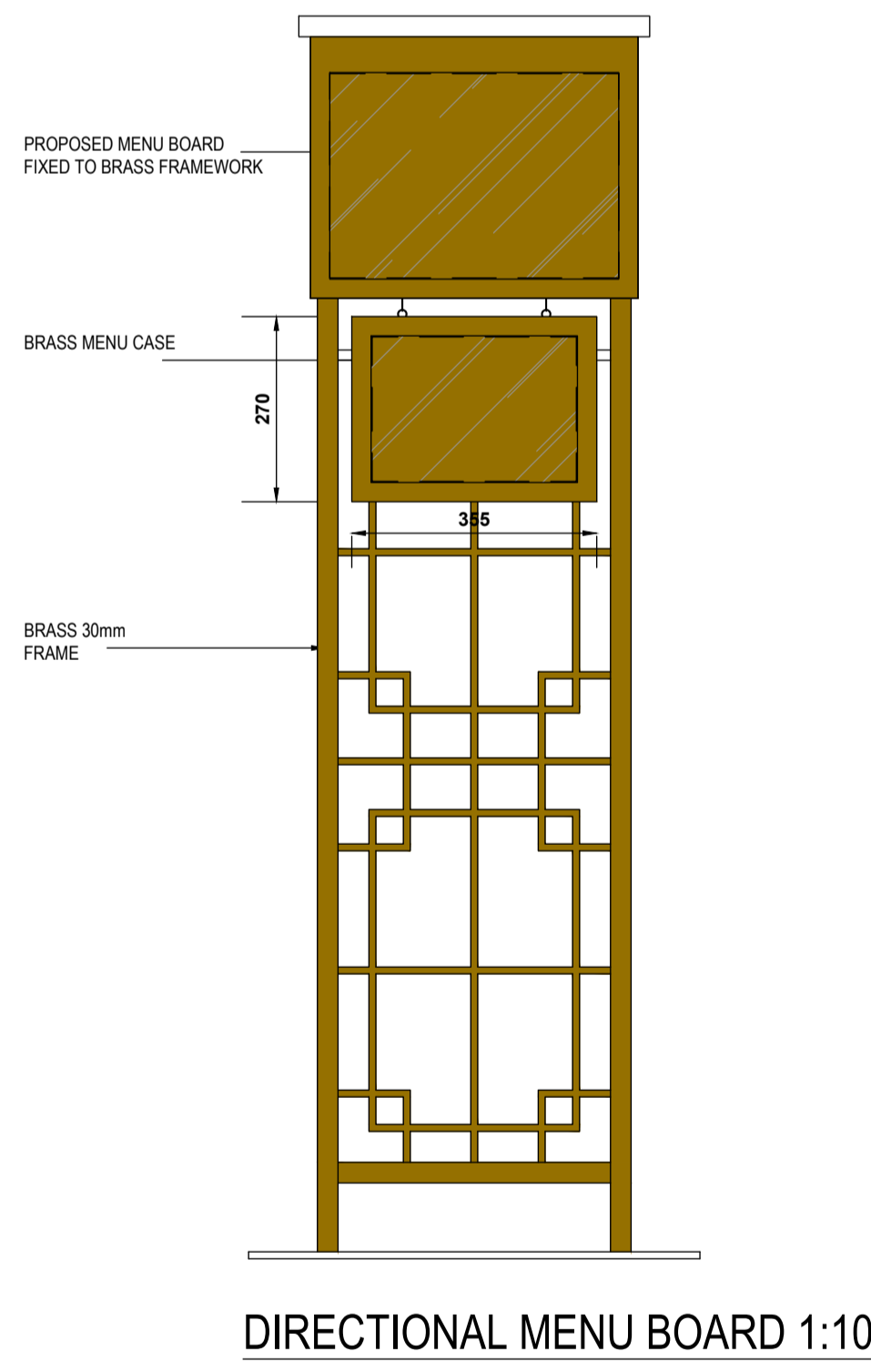
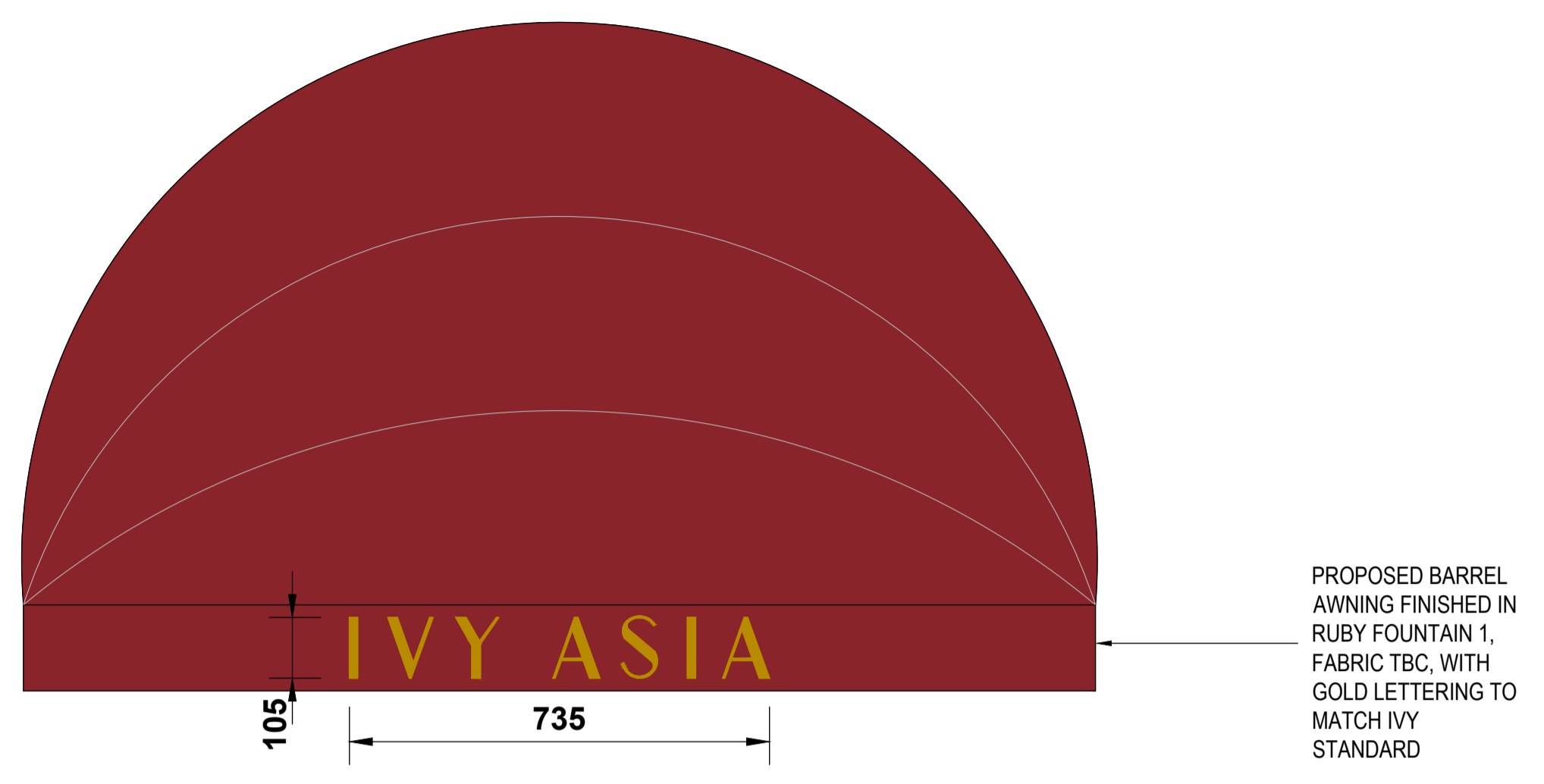
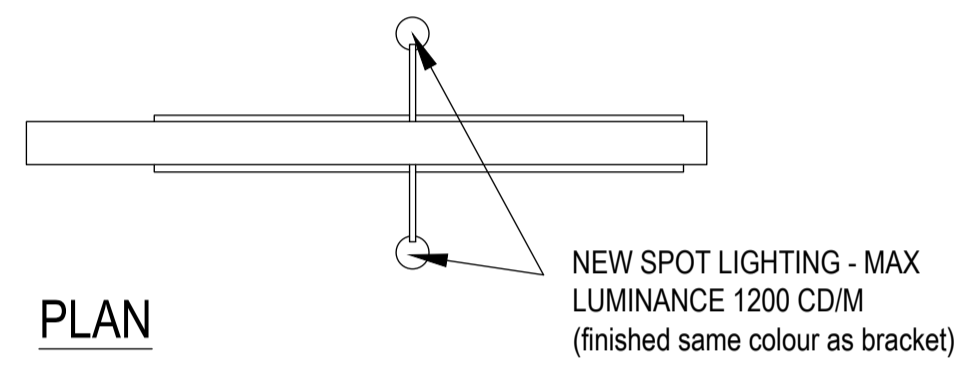
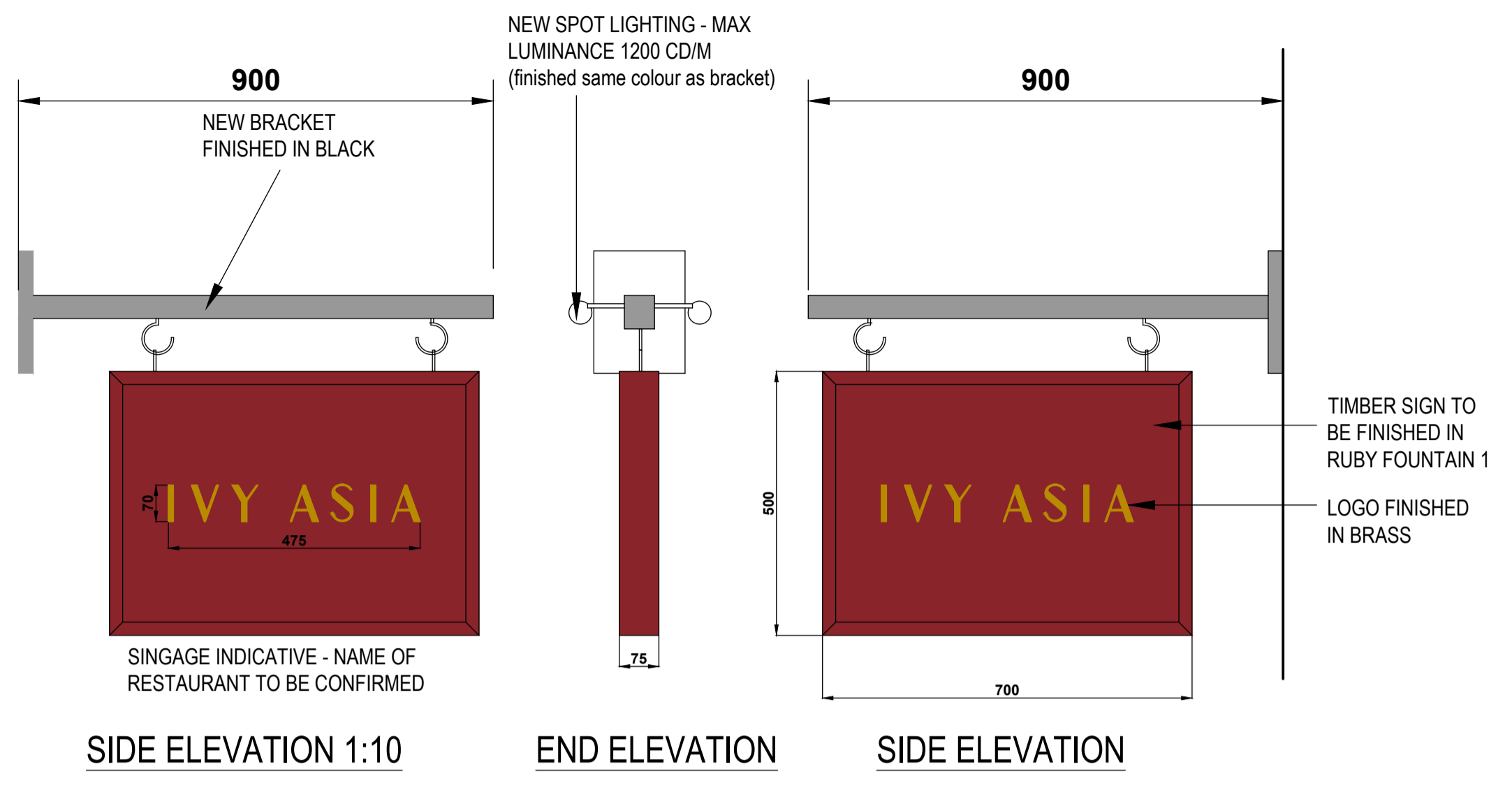
ALL DIMENSIONS TO BE CHECKED ON SITE PRIOR TO COMMENCEMENT OF WORKS - PLEASE REPORT ERRORS OR OMISSIONS TO THE ARCHITECT.

THIS DRAWING HAS BEEN PRODUCED FOR THE PURPOSES OF PLANNING AND BUILDING REGULATIONS APPROVALS ONLY AND IS NOT INTENDED TO BE A FULL WORKING DRAWING.

THIS DRAWING IS TO BE READ IN CONJUNCTION WITH ANY WRITTEN SPECIFICATIONS, SCHEDULES OF WORK AND STRUCTURAL ENGINEERS DETAILS AS APPROPRIATE.

THIS DRAWING IS THE COPYRIGHT OF PUMP HOUSE DESIGNS AND ANY FURTHER REPRODUCTION OF THE PLAN IS NOT PERMITTED WITHOUT OBTAINING PRIOR CONSENT.

© CROWN COPYRIGHT - LICENCE NO. 100032237



PROPOSED BARREL AWNING DETAIL SCALE 1:10



PROPOSED FASCIA SIGNAGE DETAIL SCALE 1:10



PumpHouse DESIGNS
Architectural & Interior Design Consultants

Pump House Yard
The Green
Sedlescombe
East Sussex
TN33 0QA
info@pumphousedesigns.co.uk
www.pumphousedesigns.co.uk

T: 01424 871120

F	
E	
D	
C	
B	
A	
IVY ASIA BRIGHTON	
51 SHIP STREET	
BRIGHTON	
BN1 1AF	
PROPOSED EXTERNAL DETAILS	
DRAWN BY - O TAYLOR	
DATE - AUGUST 2021	
SCALE - 1:10/1:100 @ A1	
DRAWING No. 6990 / 231	

