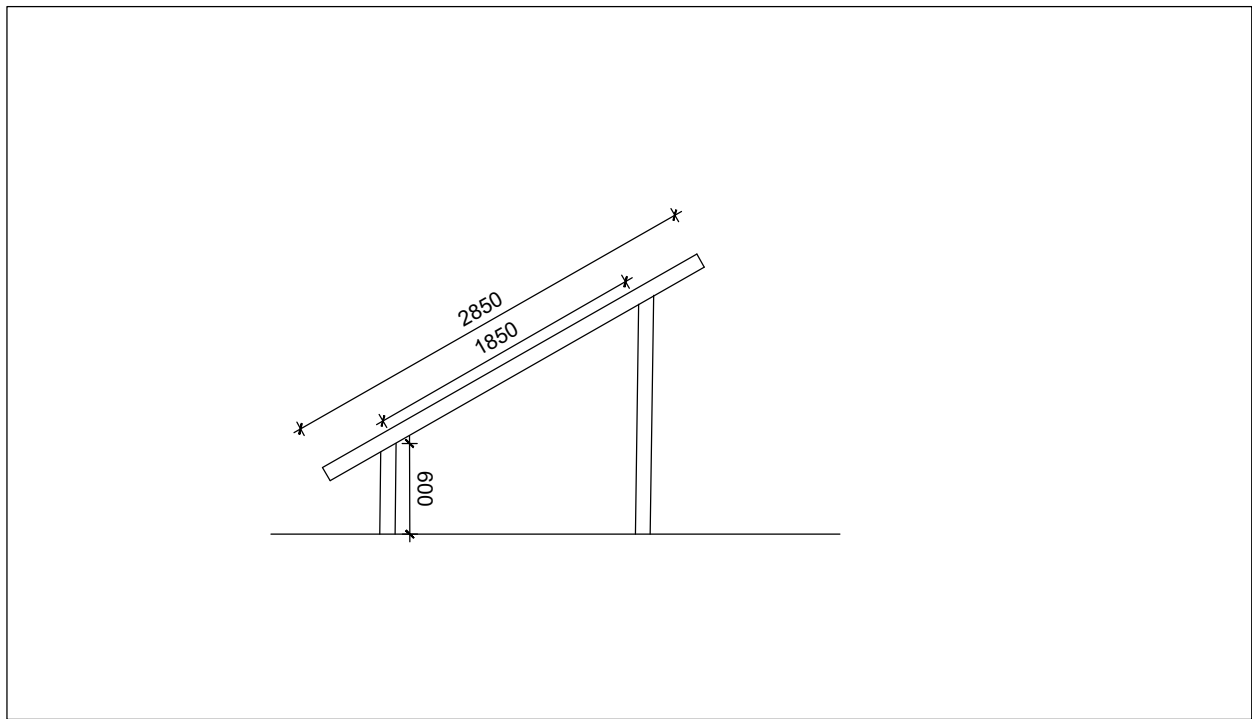


1 30 PANEL GROUND MOUNT PLAN
 Scale: 1:50



2 SECTION
 Scale: 1:50

revision	date	note	by
dwg status		PLANNING_DRAWING	

dwg title	PV_PLAN PV_SECTION
-----------	-------------------------------------

date 16/08/2021 scale 1:50

dwg no	PV01	rev	0
--------	-------------	-----	----------