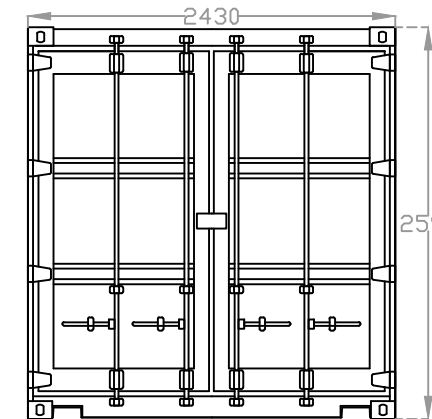
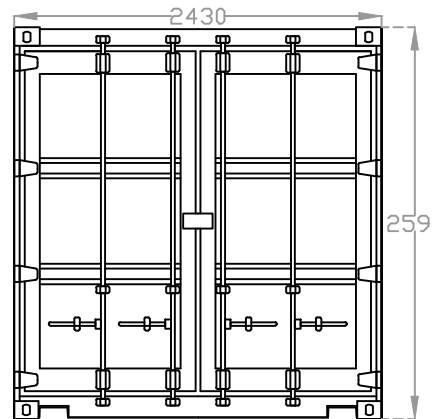
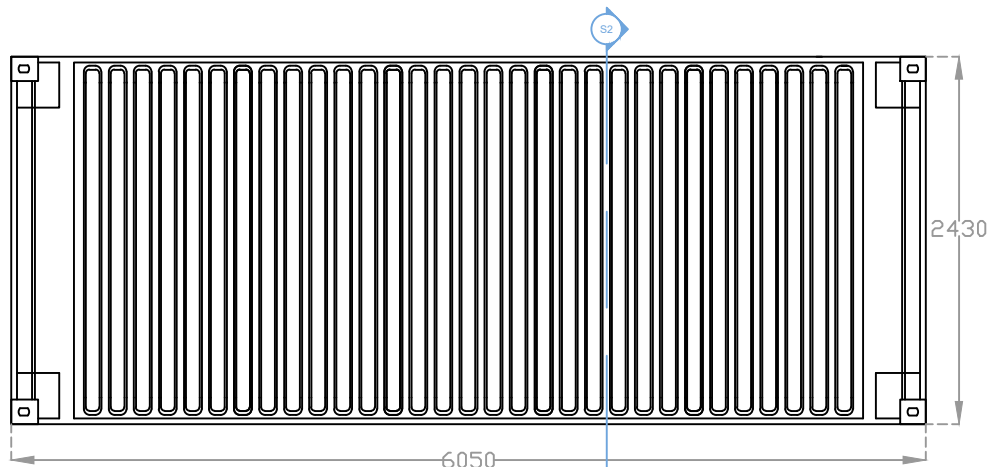
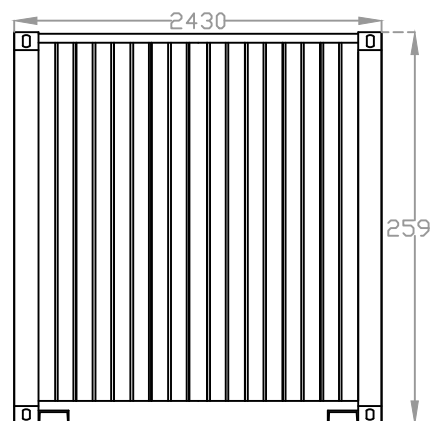


S1 - Plan section

S2 - Cross section



Side Elevation B



Side Elevation C

2 x Shipping Container 20ft  
 Steel construction set on existing surface  
 Dimensions 6050 x 2430 x 2590mm

**SCALE:** 1:50 @ A3

**DRAWN BY:** Bethan Parsons

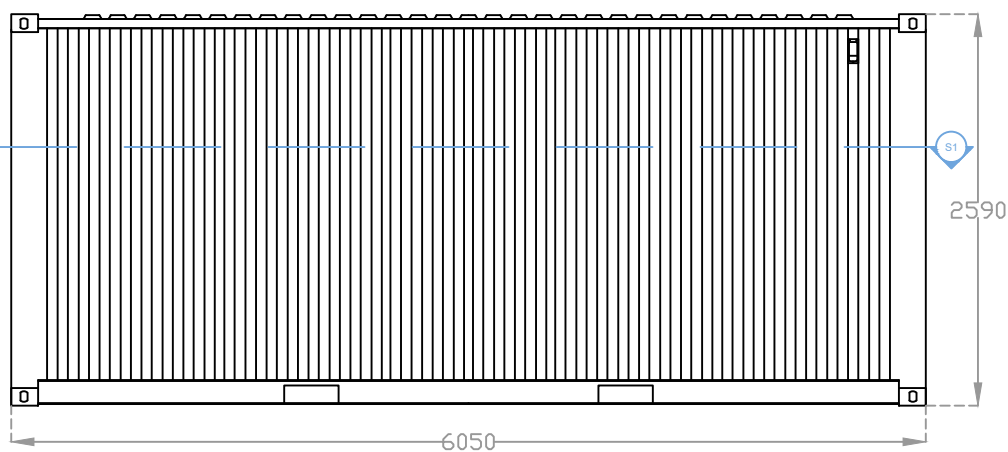
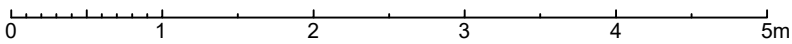
**SUBMISSIONS**

DESCRIPTION:	DATE:
Issued for Review	29/03/2021

**Shipping Container**

- Plan view
- S1 Plan section
- S2 Cross section
- Side Elevation A
- Side Elevation B
- Side Elevation C

Plan view



Side Elevation A