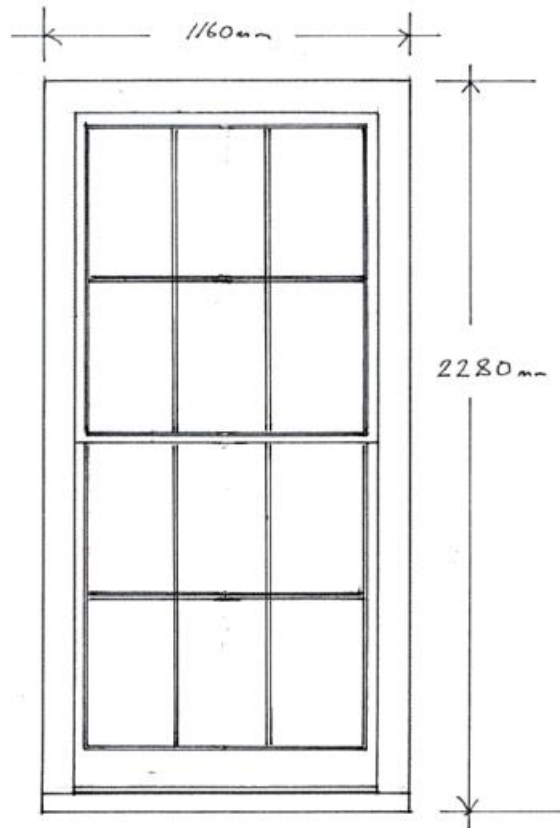


Elevation: 6 over 6 Single glazed Timber Sashes



PROPOSED SASH WINDOW
REINSTATEMENT.

AT GLOVE HOUSE
THE CLOVE
EPSOM.

SCALE 1:20

GROUND FLOOR.

FRONT ELEVATION

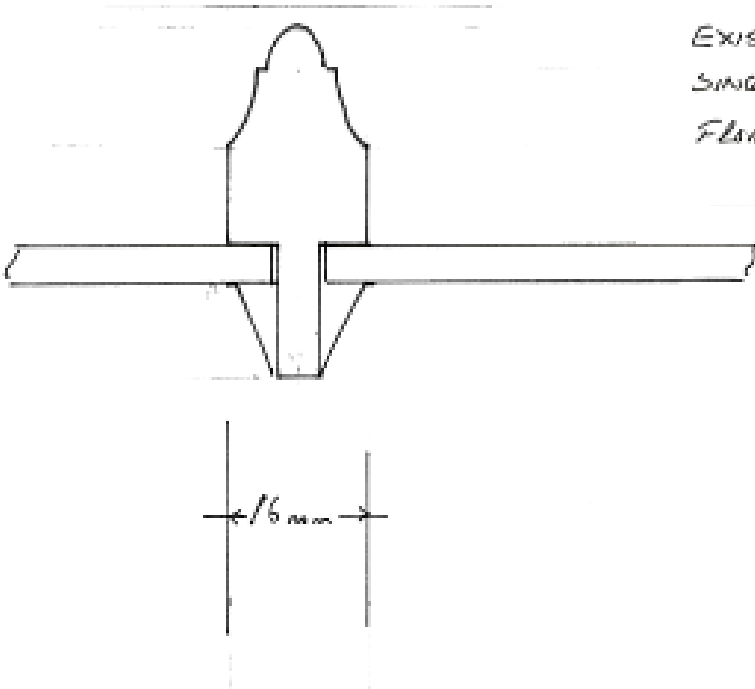
DRAWING N: 3

SEE DRAWING 2 FOR DETAILS.

SAME AS SINGLE GLAZED EXISTING.

Cross Section

DRAWING 2. SCALE 1:1



EXISTING "HOUWEN + ASTELICE" MOLDING.
SINGLE GLAZED GLAZING BAR.
FROM MODEL EXISTING ORIGINAL WINDOW.