

Project name  
Vercelli, 36-38 Priestpopple  
New Frontage

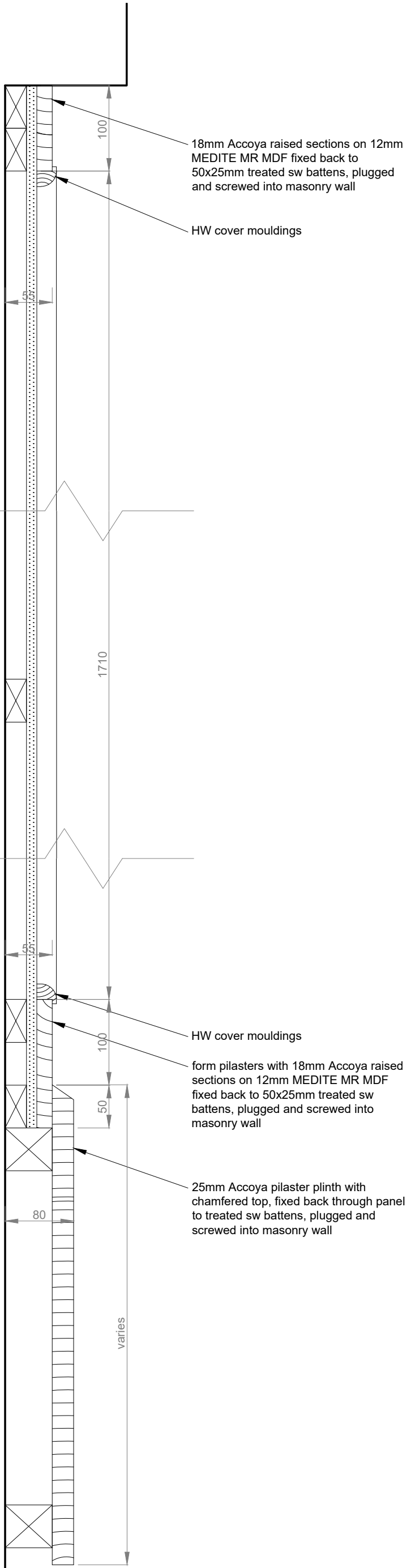
Date	Drawn by	Scale
September 2021 JC		1:5@A3

Job no	Drawing no	Rev
1374D	P07	

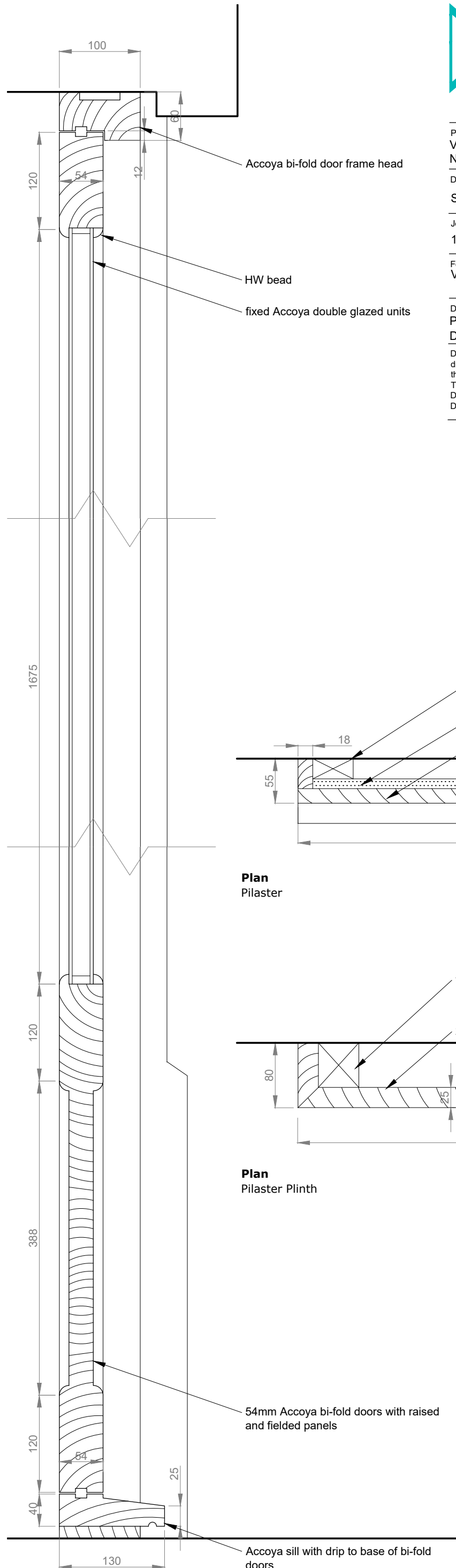
For  
Vercelli

Drawing title  
Proposed  
Detail Plans & Sections

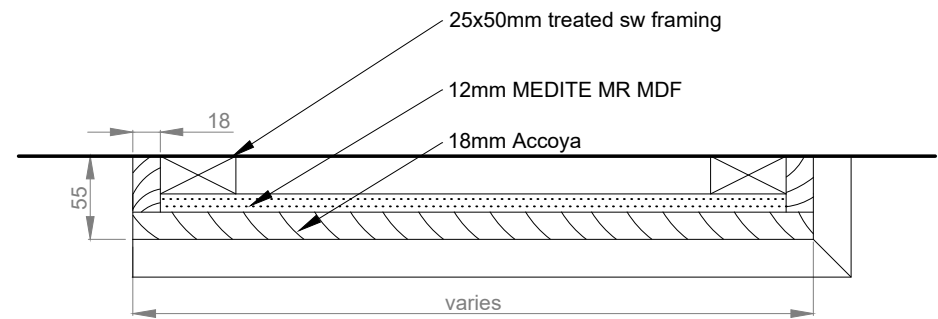
Discrepancies, ambiguities and/or omissions between this drawing and information given elsewhere must be reported to the architect before proceeding.  
This drawing is copyright.  
Dimensions must be checked on site.  
Do not scale off dimensions from this drawing.



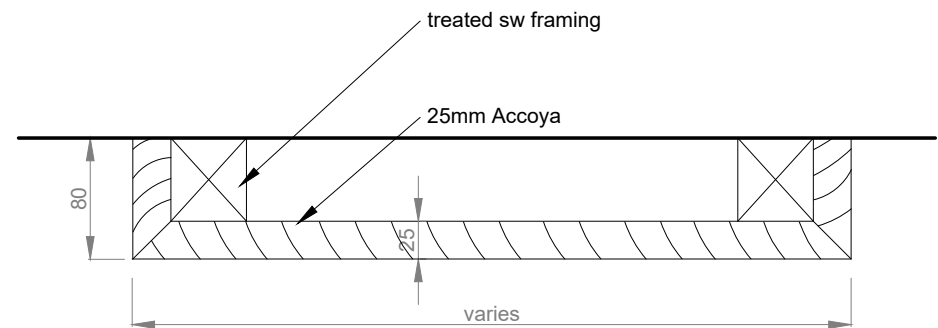
**Section**  
Through Pilaster



**Section**  
Through bi-folding doors



**Plan**  
Pilaster



**Plan**  
Pilaster Plinth