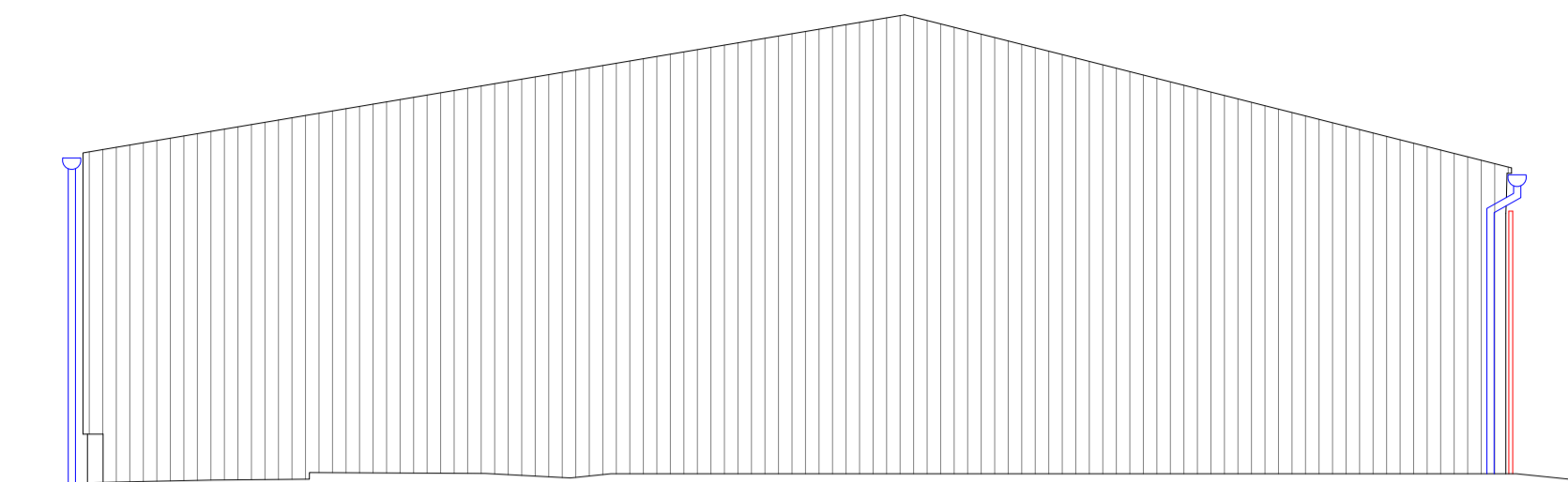
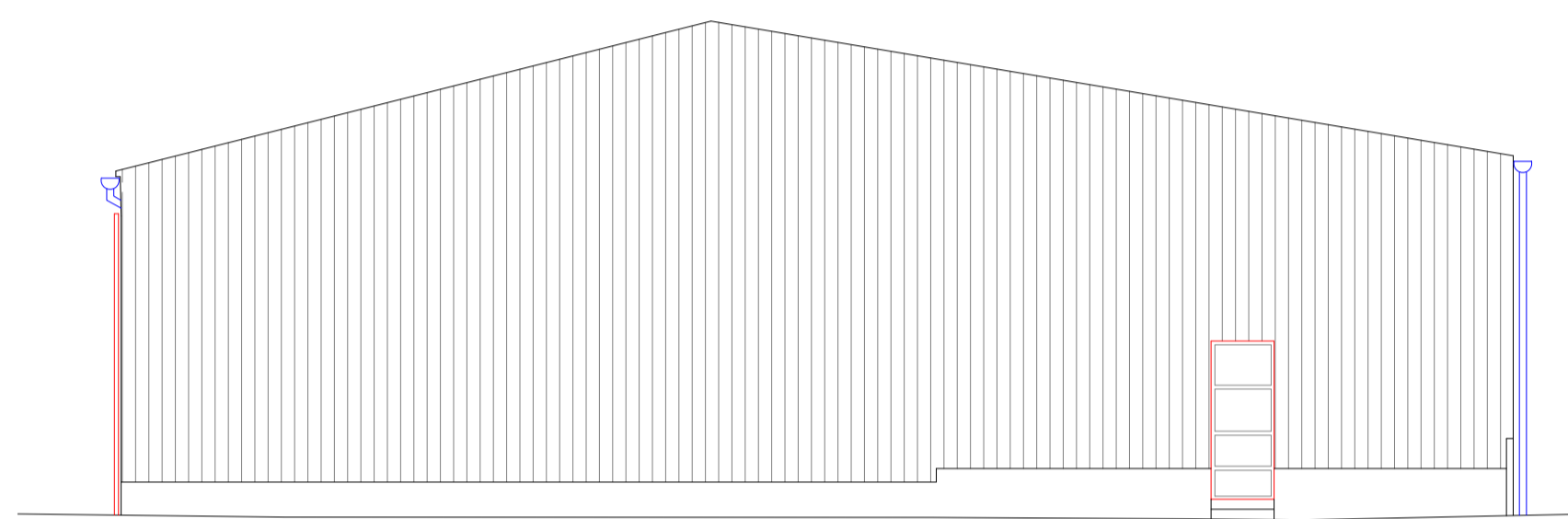


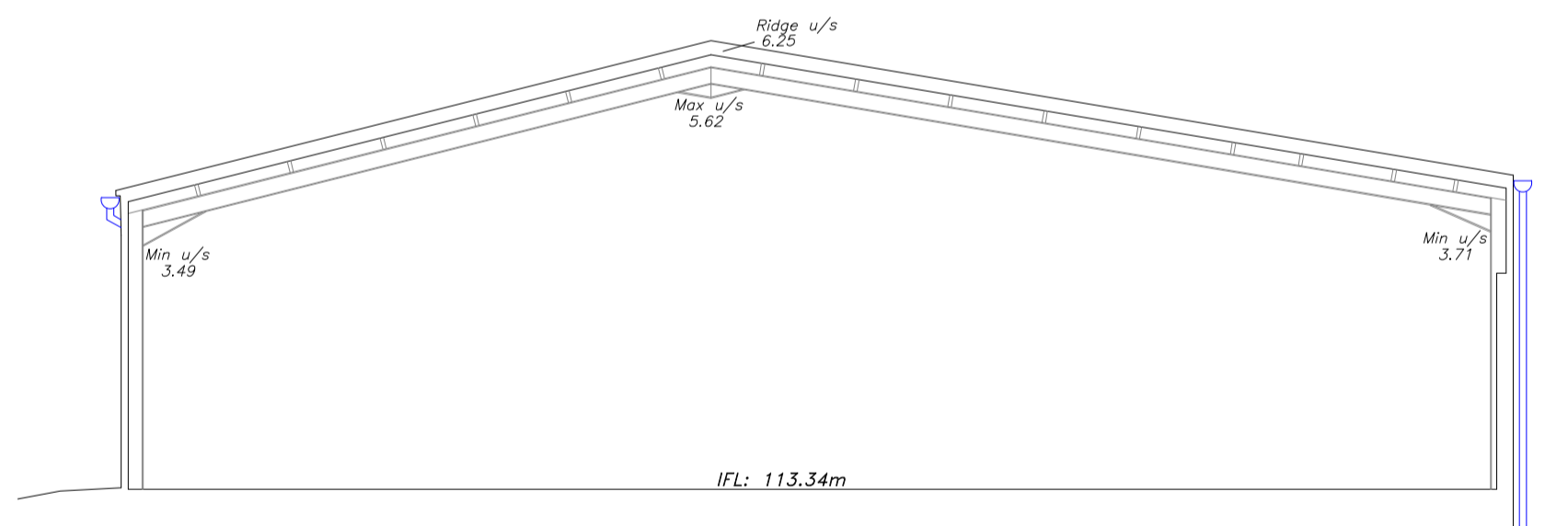
Datum: 111.00m.
Elevation 1.



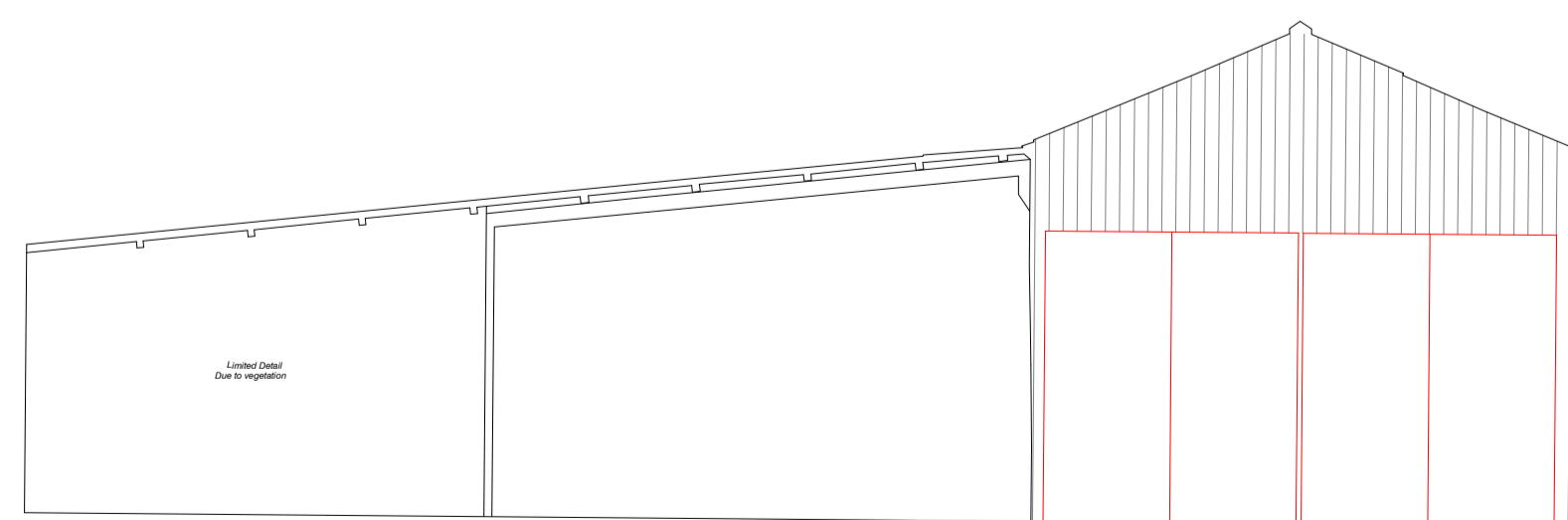
Datum: 111.00m.
Elevation 2.



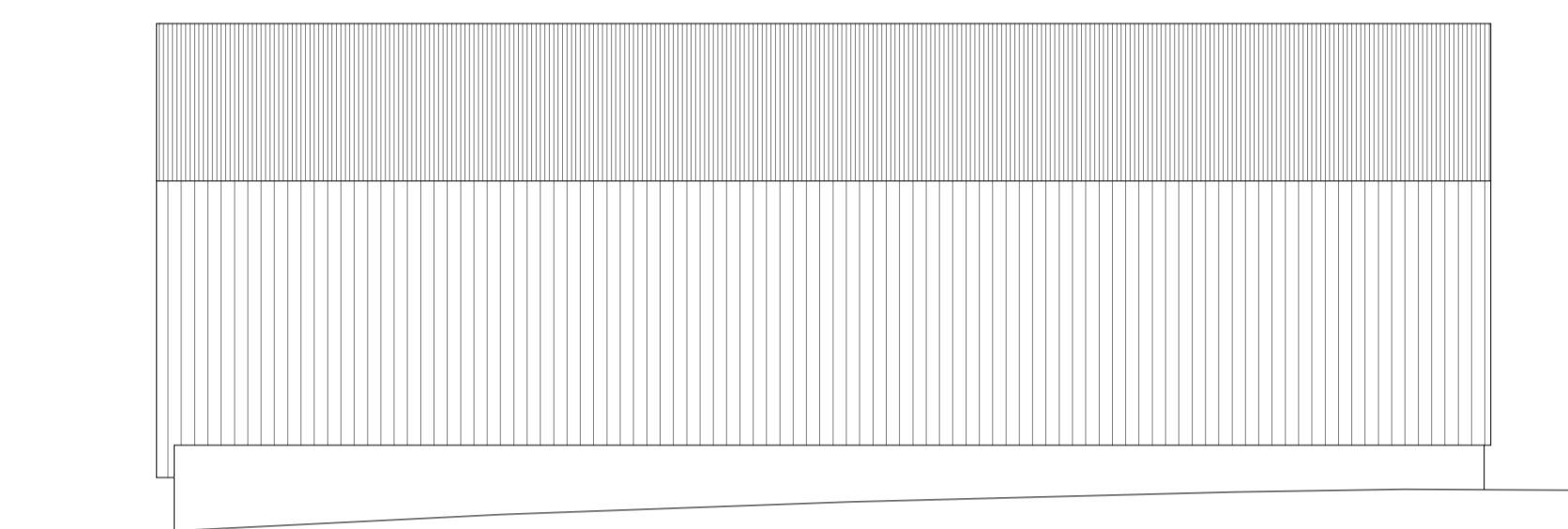
Datum: 111.00m.
Elevation 3.



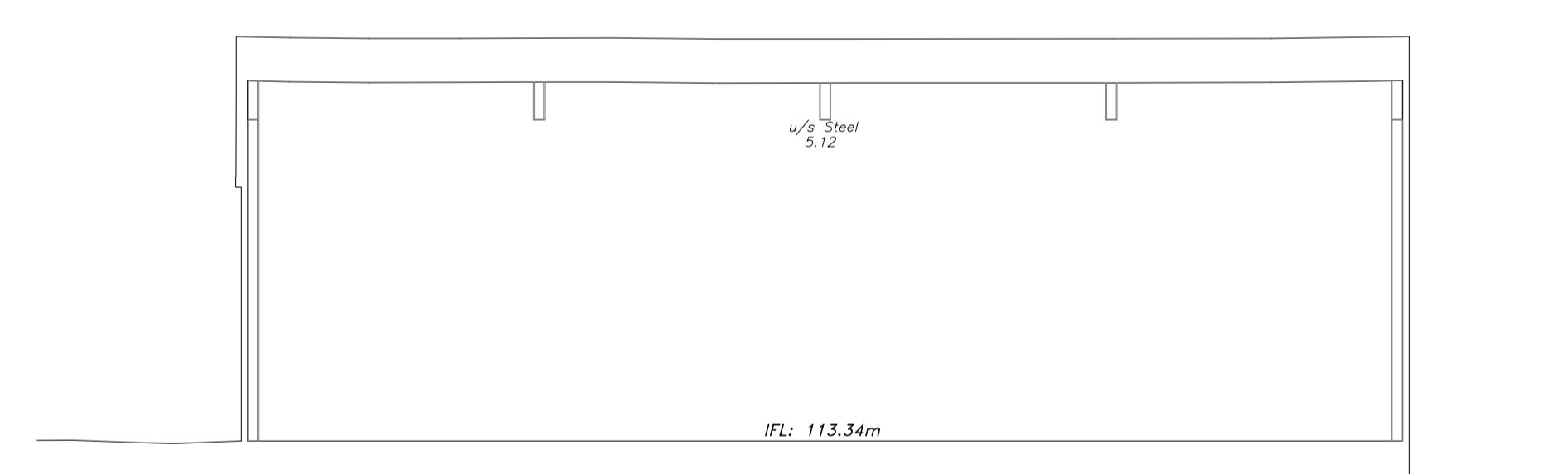
Datum: 111.00m.
Section 1.



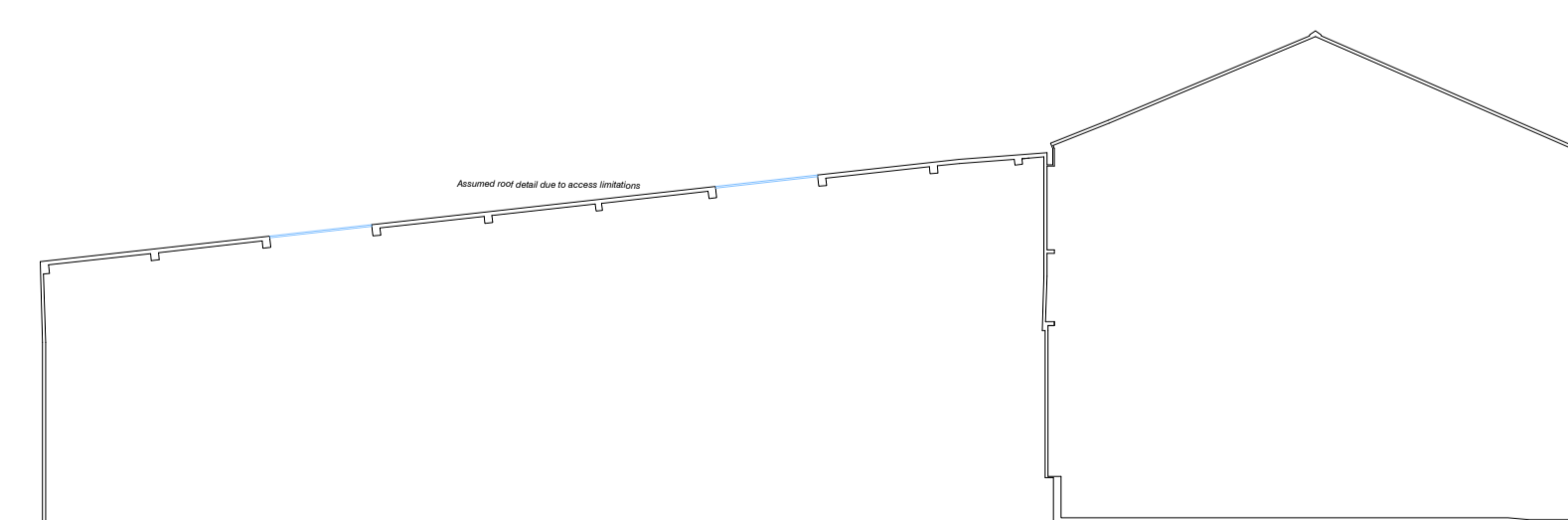
Datum: 111.00m.
Elevation 5.



Datum: 111.00m.
Elevation 4.



Datum: 111.00m.
Section 2.



Datum: 111.00m.
Section C.

OS Note:
Some services may have been omitted due to parked vehicles. The Ordnance Survey site is to be used as a guide only.

OS Buildings **Surveyed Buildings**

This survey has been orientated to the Ordnance Survey (O.S.) National Grid (OSGB36) via Global Navigational Satellite Systems (GNSS) and the O.S. Active Network (OS Net).
A true OSGB36 coordinate has been established near to the site centre via a transformation using the OSTN02 & OS02M02 transformation models.
The survey has been correlated to this point and a further one or more OSGB36 points established to create a true O.S. bearing for angle orientation.
No scale factor has been applied to the survey therefore the coordinates shown are arbitrary & not true O.S. Coordinates which have a scale factor applied.
Please refer to Survey Station Table to enable establishment of the onsite grid.

Building Survey Legend:

SHT: 1.00	Sill Height from FFL.
HH: 2.12	Head Height from FFL.
SL: 51.03m	Sill Level from defined datum.
HL: 52.82m	Head Level from defined datum.
Susp. Cht: 2.00	Suspended Ceiling Height from FFL.
Struct. Cht: 3.00	Structural Ceiling Height from FFL.
Susp. Ceil: 30.00m	Suspended Ceiling Level from datum.
Struct. Ceil: 31.00m	Structural Ceiling Level from datum.
IFL: 100.00m	Internal Floor Level (General).
+100.00m	Internal Floor Level (Specific).

Insertion Point
Insertion Point for overlay drawings of other floors or details.

Legend:

Buildings	Overhead Cables	Insertion character	Bank	Subsist
Grid	Column edge	Flag level	Sp	Removal Indent
Arch line	Column edge	Clay	Gr	Rubble in
Arch line	Column edge	Clay	Gr	Rubble in
Arch line	Column edge	Clay	Gr	Rubble in
Arch line	Column edge	Clay	Gr	Rubble in
Arch line	Column edge	Clay	Gr	Rubble in
Arch line	Column edge	Clay	Gr	Rubble in
Arch line	Column edge	Clay	Gr	Rubble in
Arch line	Column edge	Clay	Gr	Rubble in

Rev	Date	Description	Drawn	Q. Ref.
-----	------	-------------	-------	---------



Topographical Surveys
 Site Engineering
 Utility / CCTV Surveys
 Measured Building Surveys
 3D Laser Scanning
 Revit & BIM Models

Rowan House
 Duffield Road
 Little Eaton
 Derby
 DE21 5DR
 Tel: (01332) 830044 Fax: (01332) 830055
 admin@greenhatch-group.co.uk
 www.greenhatch-group.co.uk

St Albans
 Unit 8, The Courtyard
 144 GLA
 Hertfordshire
 AL4 4LH
 Tel: (01727) 854481

Newcastle
 24 Riverside Studios
 Newcastle Bus Park
 Newcastle Tyne
 NE4 7TL
 Tel: (01912) 738391

Poland
 ul. Panstwiska 91
 40 701 Katowice
 Poland
 Tel: (0048 32 202 2292
 www.greenhatch.pl

CLIENT

AB Produce

PROJECT

Barn Farm
Cranebrook Lane, Hilton
Lichfield

TITLE

Existing Elevations & Sections

SCALE	DATE
A1@ 1: 100	01.09.16
DRAWN	QUALITY REF
JM2	E1346

Level datum	See Note
Grid orientation	See Note
Job number	23990

Drawing No.	Rev.
23990_03_ES	0

Comments
This plan should only be used for its original purpose. Greenhatch Group accepts no responsibility for this plan if supplied to any party other than the original client.
All dimensions should be checked on site prior to design and construction.
Drainage information (where applicable) has been visually inspected from the surface and therefore should be treated as approximate only.

Notes:

© Copyright Greenhatch Group, 06/07/13