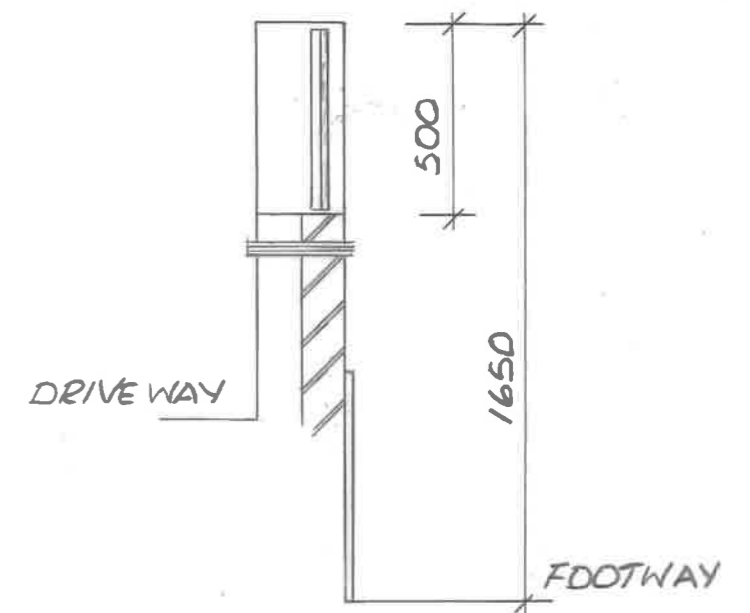
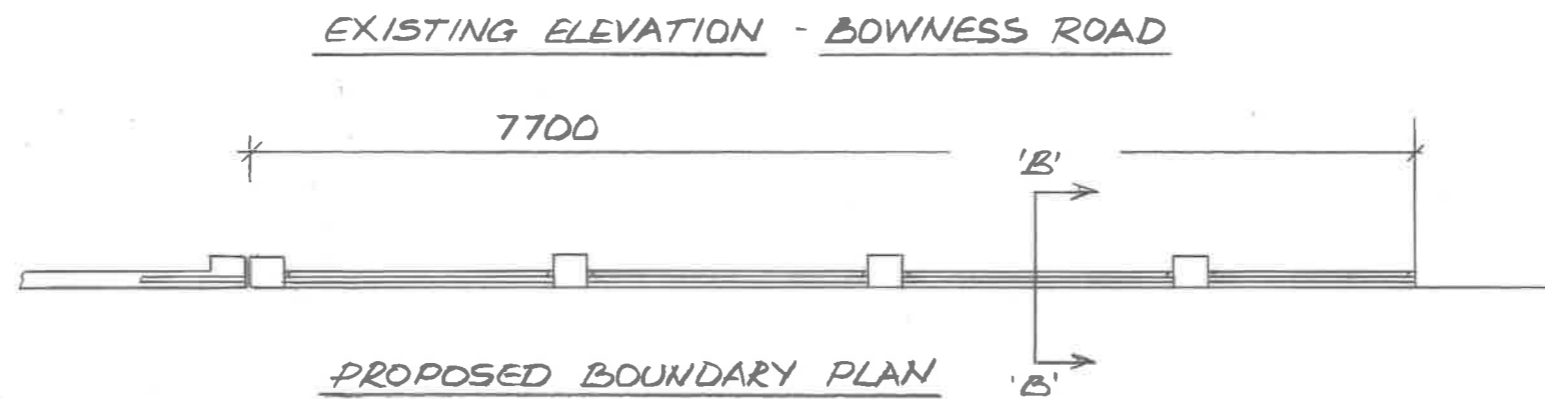
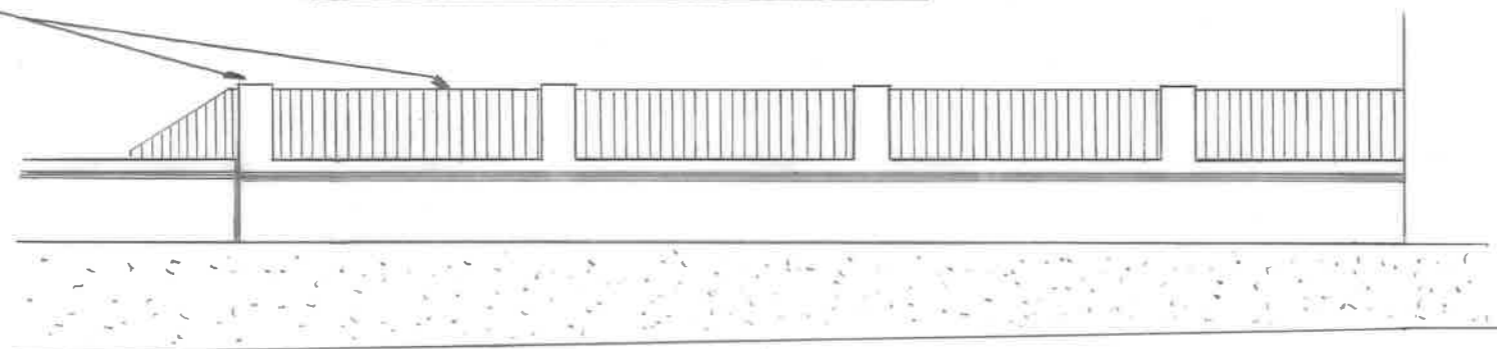


SECTION 'A-A'
(SCALE 1:20)



SECTION 'B-B'
(SCALE 1:20)



PROPOSED ELEVATION - BOWNESS ROAD

BRICK PIERS TO BE
RAISED BY 500mm
INFIL WITH CLOSE
LAPPED TIMBER
FENCE PANELS.

DRAWN: - JAC DATE: 04/08/21 ISSUE: 1	PROPOSED ALTERATIONS TO BOUNDARY WALL FACING BOWNESS ROAD AT 201 ERITH ROAD, BEXLEY HEATH, DA7 6HS FOR MR R. GOODALL
--	--

SCALE 1:50 • 1:20

SHEET 1 OF 1