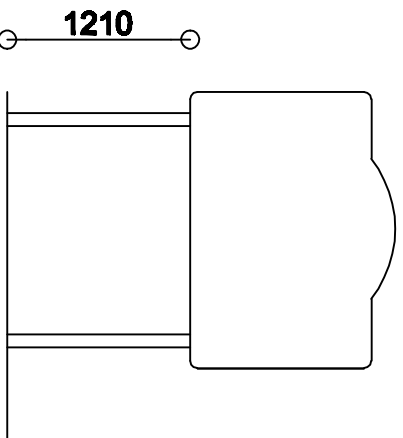


Note - this drawing shows the shape and size of the sign in place. For colours, font size etc, please see photo that accompanies the application



Graham Moir Associates Ltd
 Architectural Design Consultants
 The Hive Business Centre, 6 Beaufighter Road,
 Weston-super-Mare, BS24 8EE
 Telephone 01834 644418 & 07855 853284
 E-mail grahamgma@aol.com

Project: Sign at:
 149 Oldmixon Road
 Weston-super-Mare

Client:
B Sedgbeer

Drawing:
As installed sign

DATE:	OCT2021	DRAWN BY:	GMM
SCALE:	1:50@A4	REVISION:	-
JOB No:	SEDG	DRAWING No:	01

RESPONSIBILITY IS NOT ACCEPTED FOR ERRORS MADE BY OTHERS IN RELYING FROM THIS DRAWING. ALL DIMENSIONS AND LEVELS TO BE DERIVED FROM THE BUILDING OPERATIONS OR CONSTRUCTION. THIS DRAWING AND THE INSTRUCTIONS HEREON, ISSUED AS INSTRUCTIONS TO BE OBTAINED AND THE INSTRUCTIONS HEREON, ISSUED AS INSTRUCTIONS TO BE OBTAINED OUT WITHOUT THE WRITTEN PERMISSION OF GRAHAM MOIR ASSOCIATES