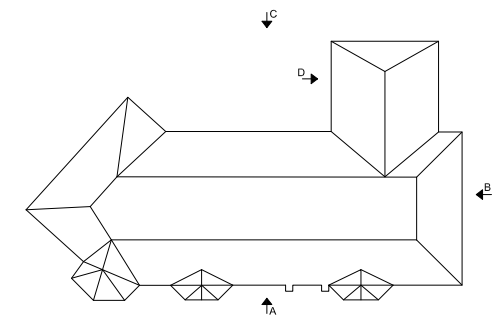


Notes:

Elevation Layout



Elevation A

FS Site Services Ltd t/a FS Windows
www.fswindows.co.uk
enquiries@fswindows.co.uk
mob: 07947 160876



Client:

Wates

Project:

1-6 Park Mansions

Drawing:

Proposed Elevation A

Drawn: PZ

Status: S4 - Suitable for Approval

Tolerances: ±3mm to overall dimensions,
±1mm to profiles, beads and other small sections

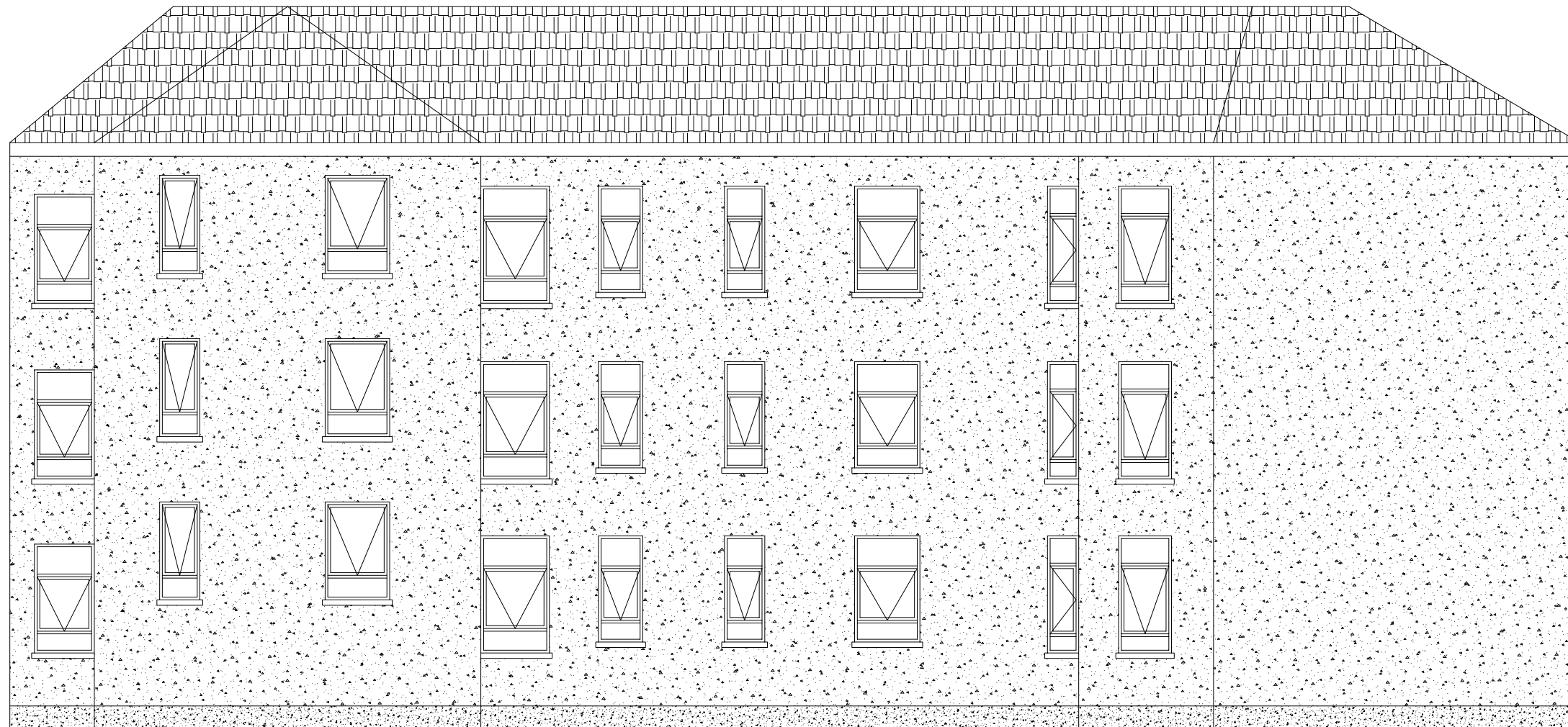
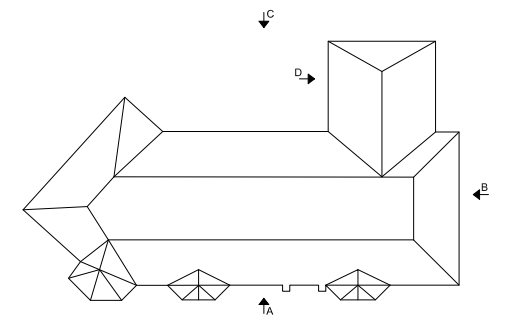
Scale:	Date	Revision
Fit To Sheet	02/09/2021	Rev. P00

Drawing No.

FSW235-004

Notes:

Elevation Layout



Elevation C

FS Site Services Ltd t/a FS Windows
www.fswindows.co.uk
enquiries@fswindows.co.uk
mob: 07947 160876



Client:

Wates

Project:

1-6 Park Mansions

Drawing:

Proposed Elevation C

Drawn: PZ

Status: S4 - Suitable for Approval

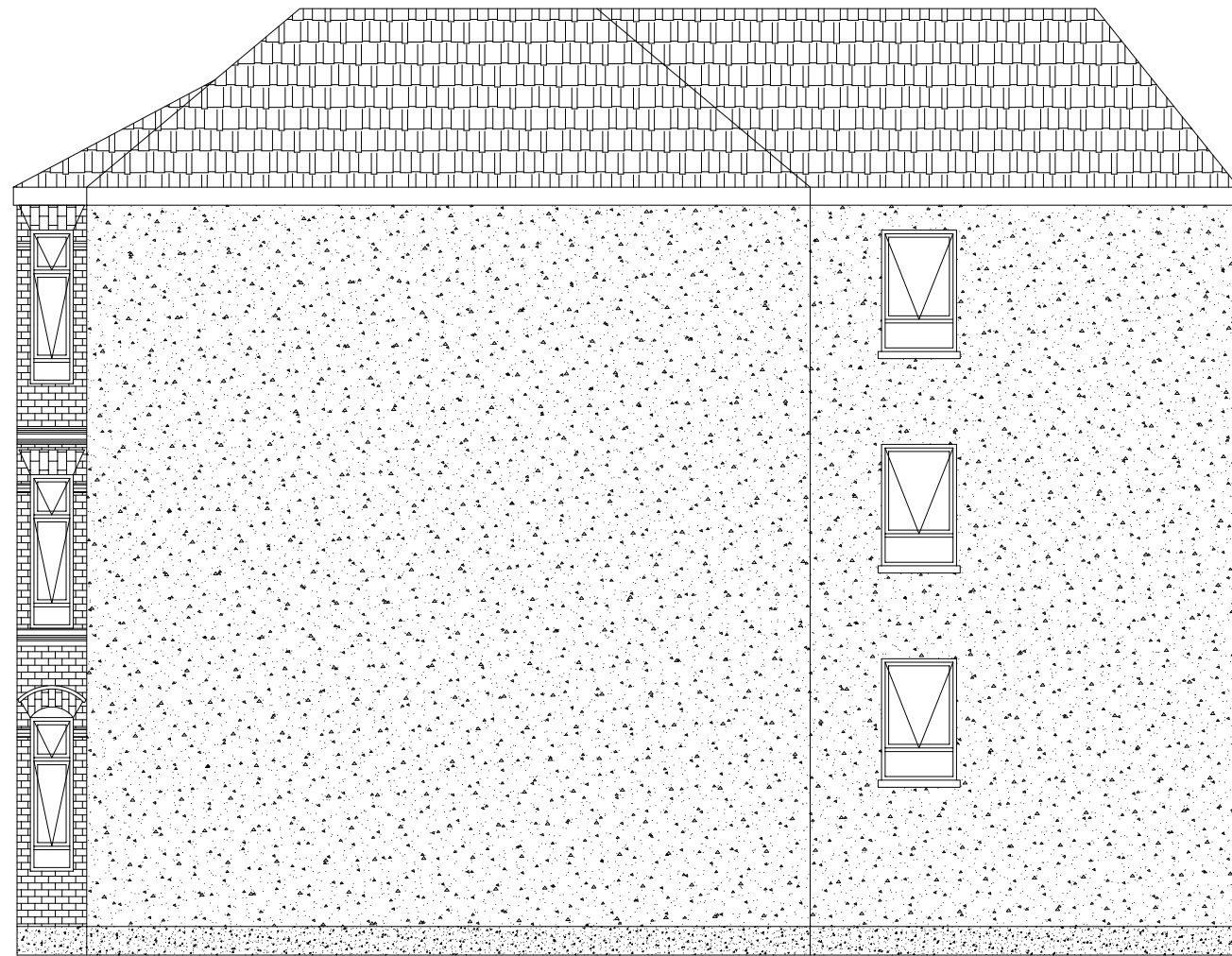
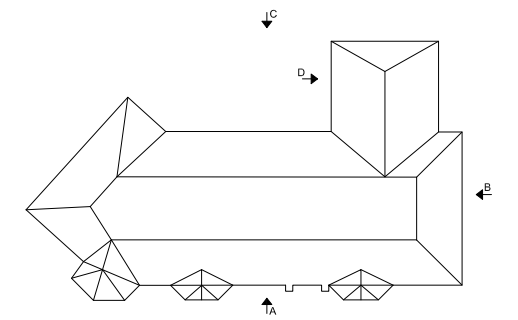
Tolerances: ±3mm to overall dimensions,
±1mm to profiles, beads and other small sections

Scale:	Date	Revision
Fit To Sheet	02/09/2021	Rev. P00

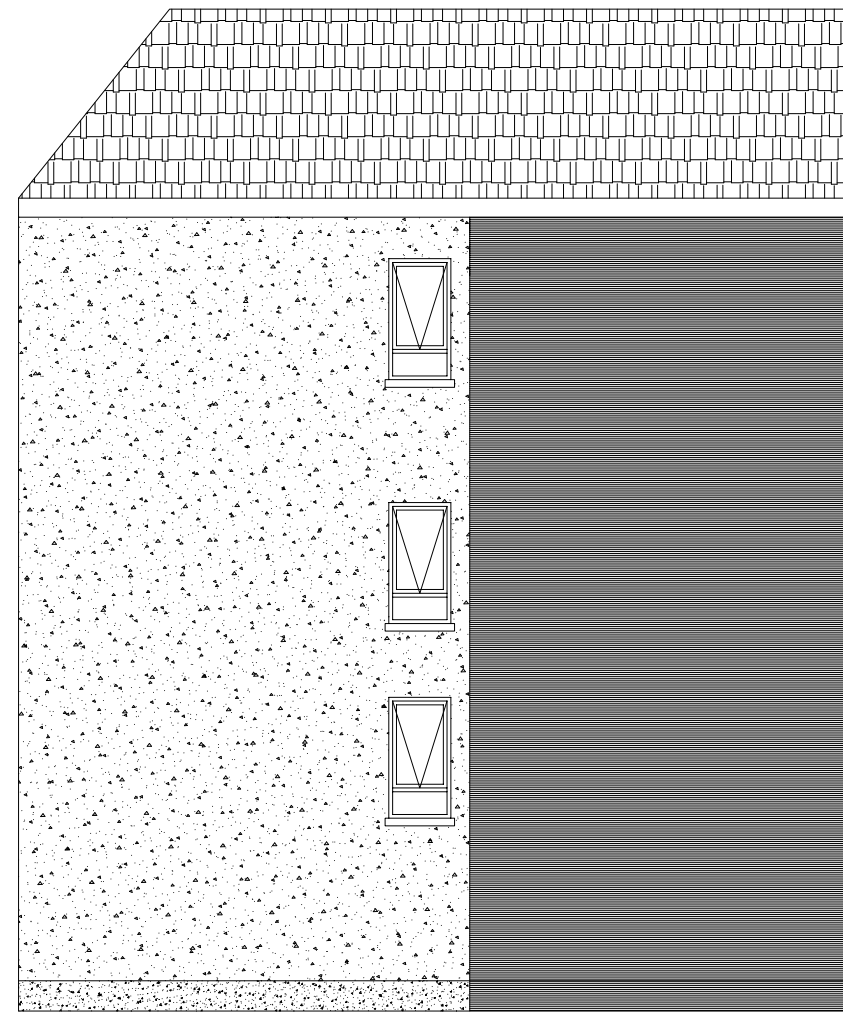
Drawing No.
FSW235-005

Notes:

Elevation Layout



Elevation B



Elevation D

FS Site Services Ltd t/a FS Windows
www.fswindows.co.uk
enquiries@fswindows.co.uk
mob: 07947 160876



Client:

Wates

Project:

1-6 Park Mansions

Drawing:

Proposed Elevation B & D

Drawn: PZ

Status: S4 - Suitable for Approval

Tolerances: ±3mm to overall dimensions,
±1mm to profiles, beads and other small sections

Scale:	Date	Revision
Fit To Sheet	02/09/2021	Rev. P00
Drawing No.		

FSW235-006