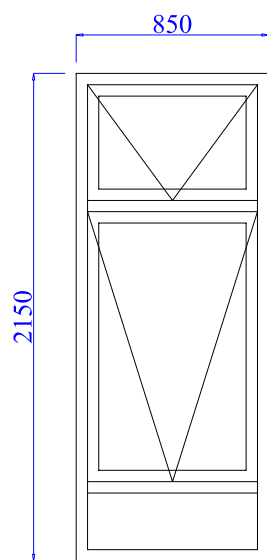
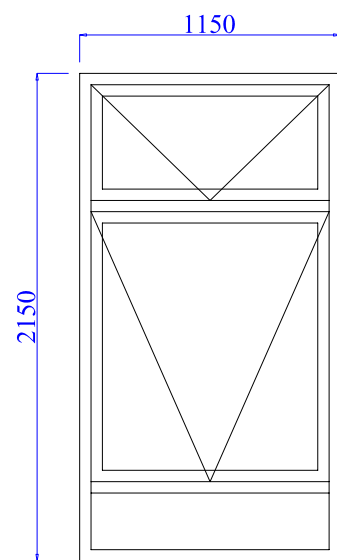


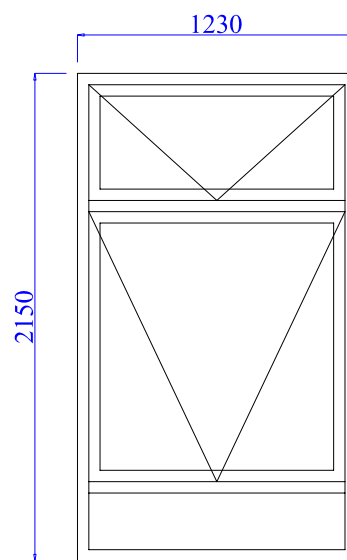
Window Type 01



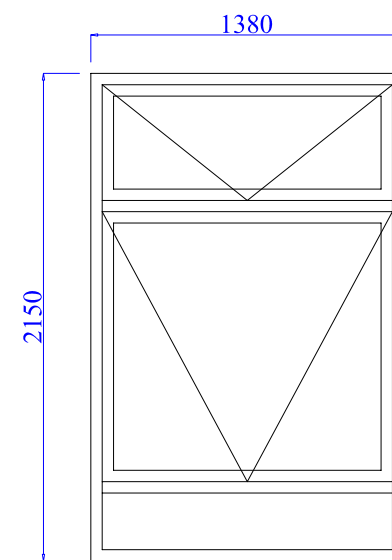
Window Type 02



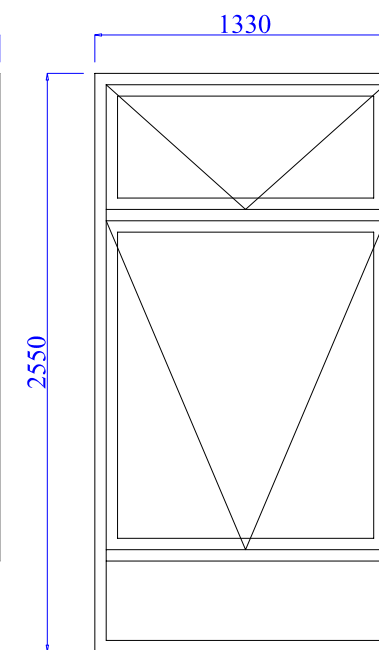
Window Type 03



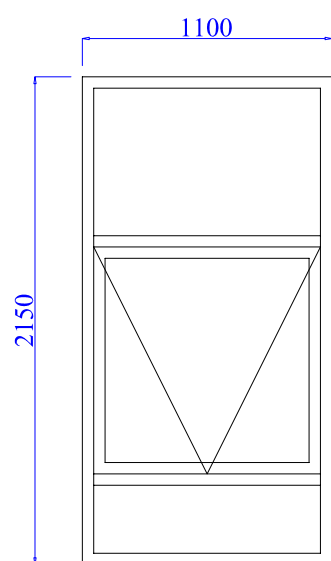
Window Type 04



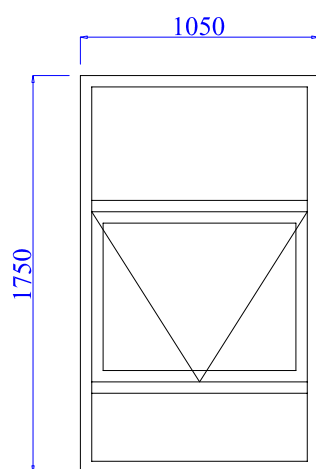
Window Type 05



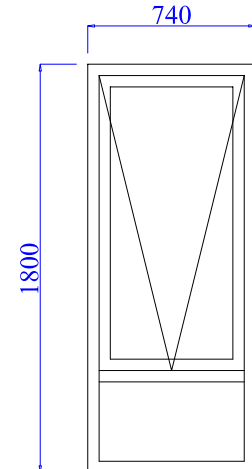
Window Type 06



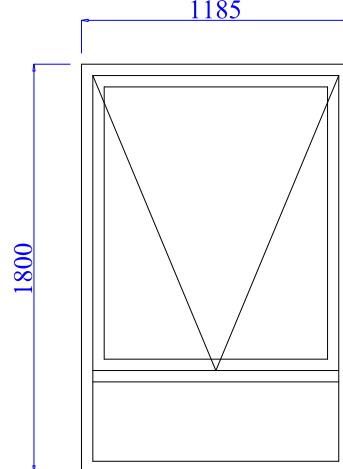
Window Type 07



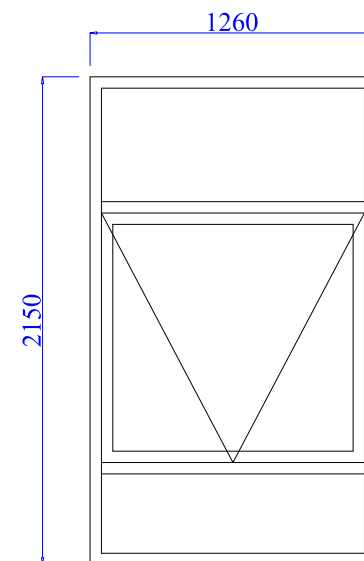
Window Type 08



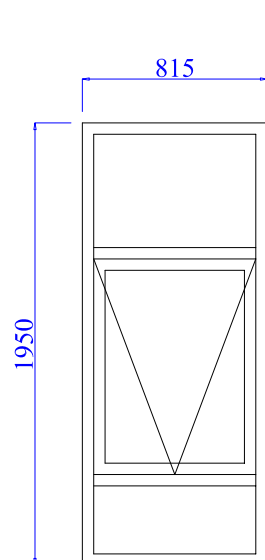
Window Type 09



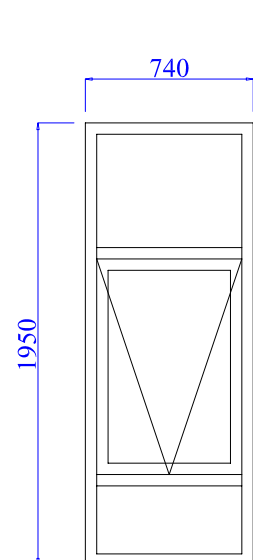
Window Type 10



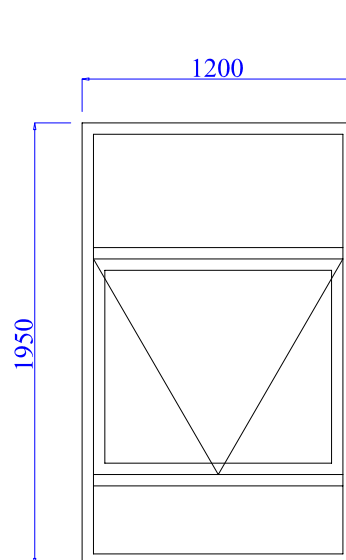
Window Type 11



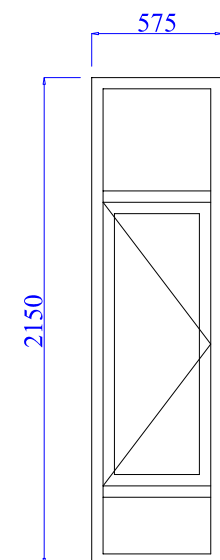
Window Type 12



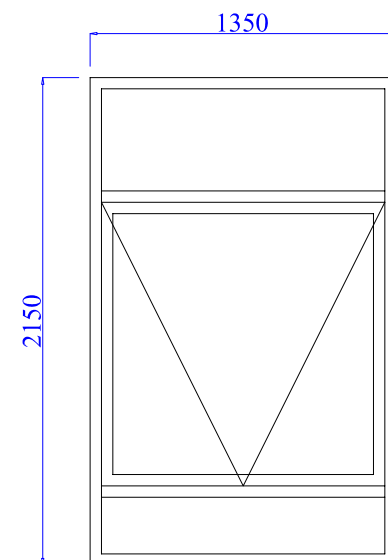
Window Type 13



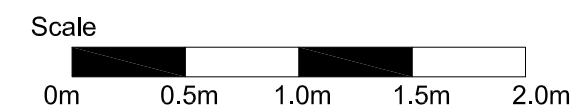
Window Type 14



Window Type 15



Window Type 16



Notes:

- This drawing is for Planning Application purposes only
- All critical dimensions to be verified on site

FS Site Services Ltd t/a FS Windows
 www.fswindows.co.uk
 enquiries@fswindows.co.uk
 mob: 07947 160876



Client:

Wates

Project:

1-6 Park Mansions

Drawing:

Window Schedule

Drawn: PZ

Status: S4 - Suitable for Approval

Tolerances: ±3mm to overall dimensions,
 ±1mm to profiles, beads and other small sections

Scale:	Date	Revision
Fit To Sheet	02/09/2021	Rev. P00
Drawing No.		

FSW235-008