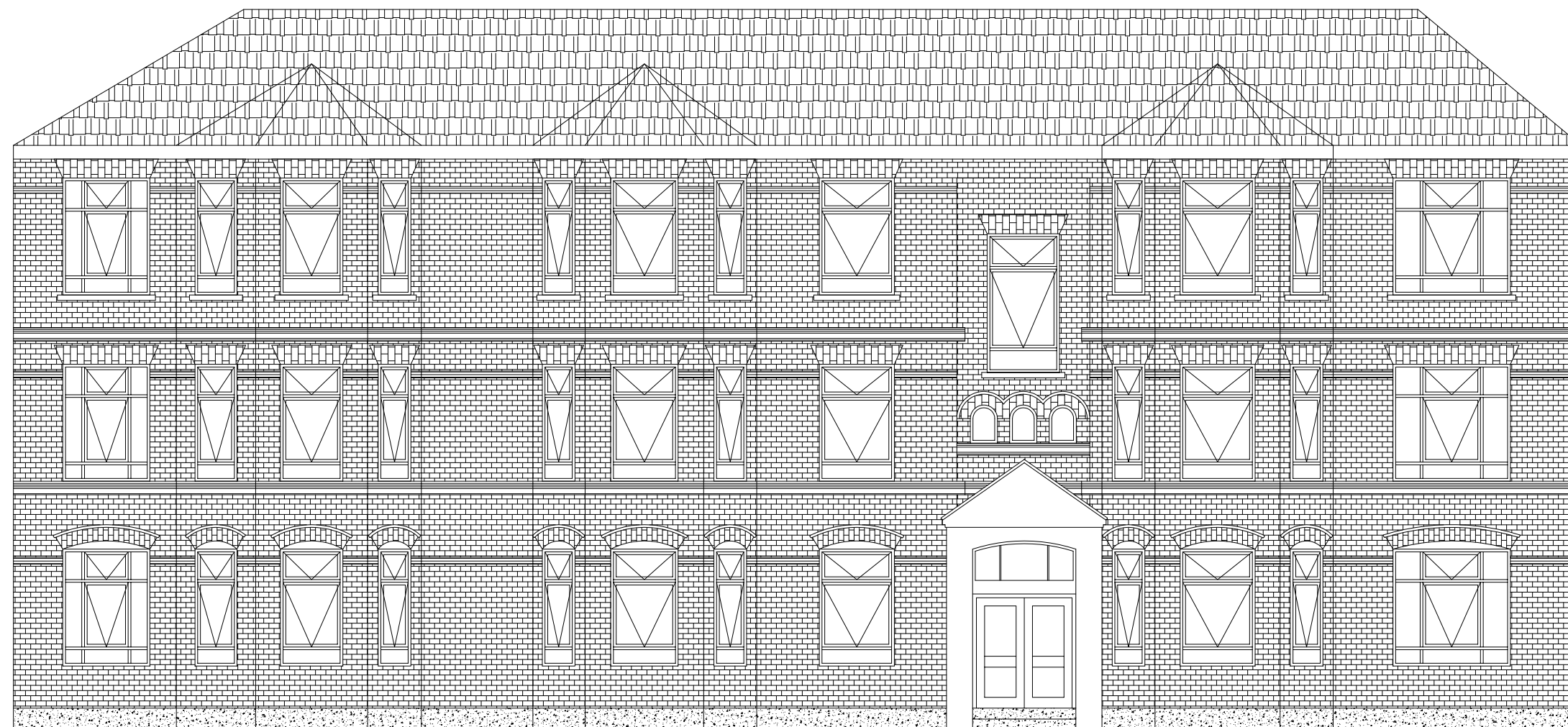
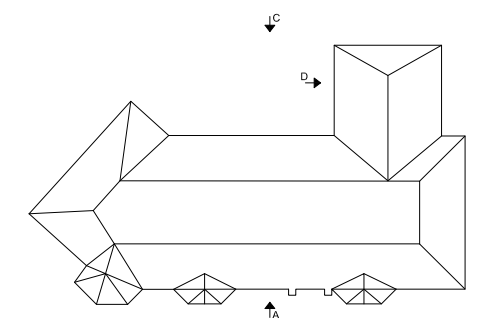


Notes:

Elevation Layout



Elevation A

FS Site Services Ltd t/a FS Windows  
www.fswindows.co.uk  
enquiries@fswindows.co.uk  
mob: 07947 160876



Client:

Wates

Project:

1-6 Park Mansions

Drawing:

Existing Elevation A

Drawn: PZ

Status: S4 - Suitable for Approval

Tolerances: ±3mm to overall dimensions,  
±1mm to profiles, beads and other small sections

Scale:	Date	Revision
--------	------	----------

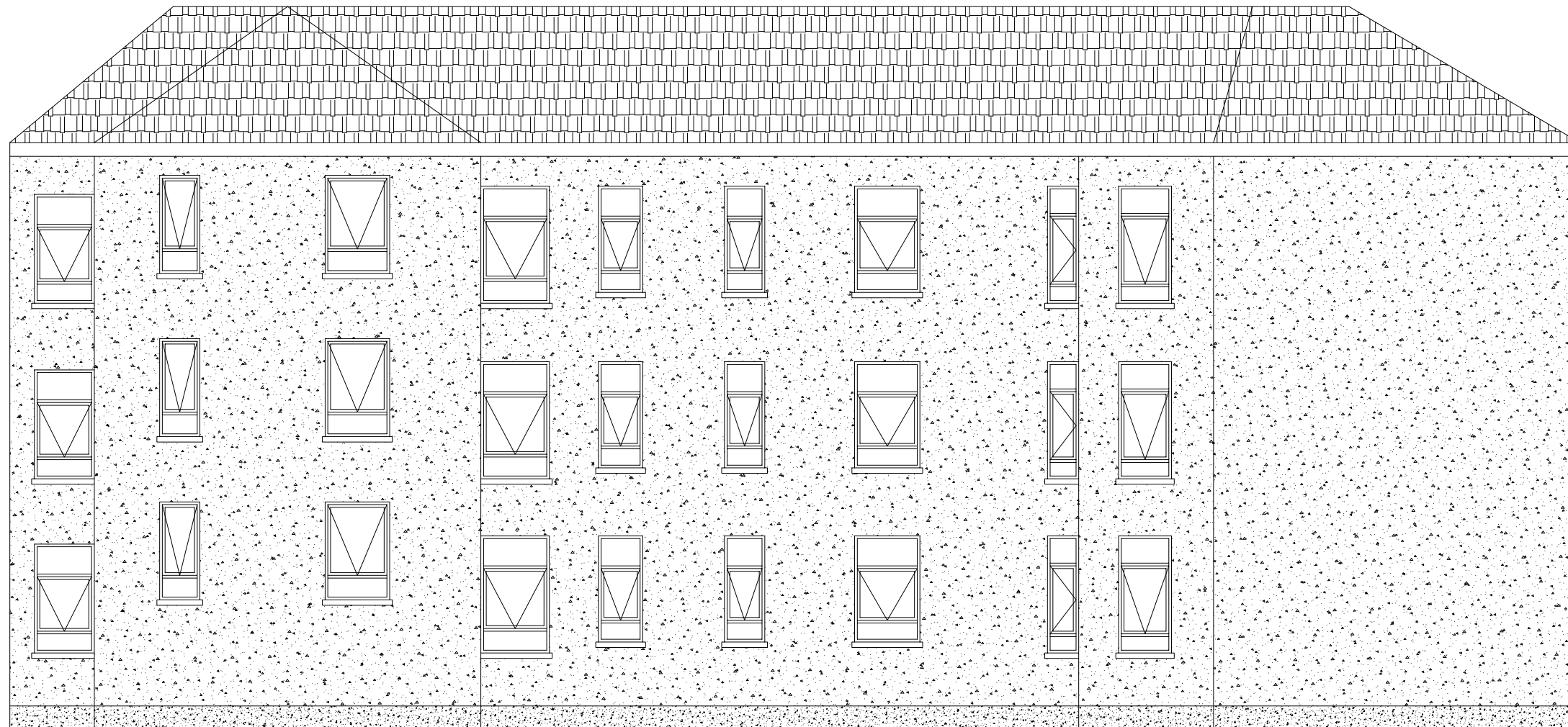
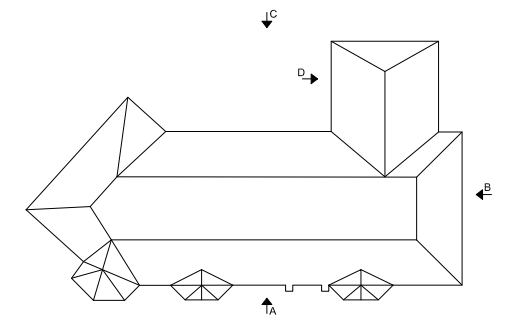
Fit To Sheet	02/09/2021	Rev. P00
--------------	------------	----------

Drawing No.

**FSW235-001**

Notes:

Elevation Layout



Elevation C

FS Site Services Ltd t/a FS Windows  
www.fswindows.co.uk  
enquiries@fswindows.co.uk  
mob: 07947 160876



Client:

Wates

Project:

1-6 Park Mansions

Drawing:

Existing Elevation C

Drawn: PZ

Status: S4 - Suitable for Approval

Tolerances: ±3mm to overall dimensions,  
±1mm to profiles, beads and other small sections

Scale:	Date	Revision
--------	------	----------

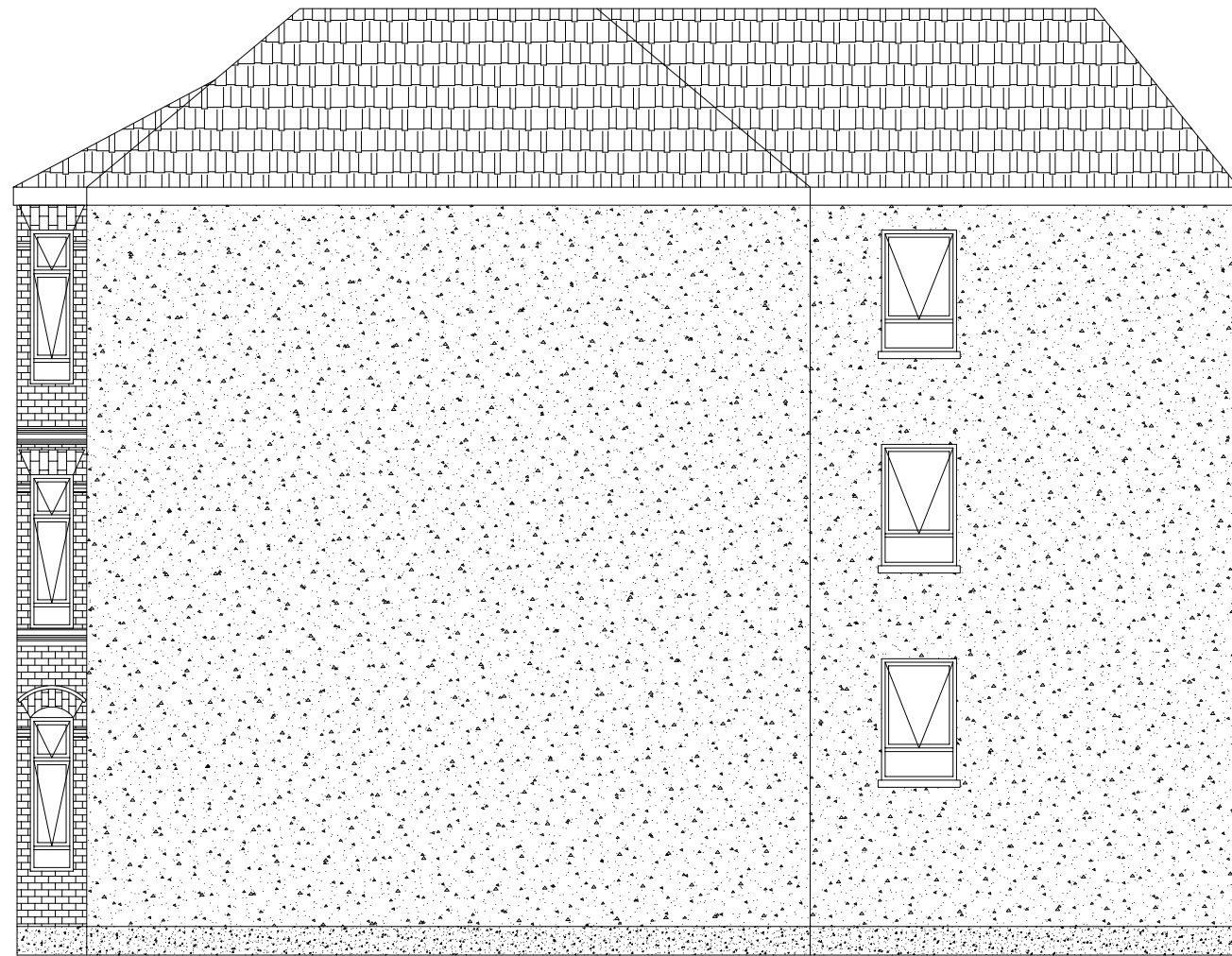
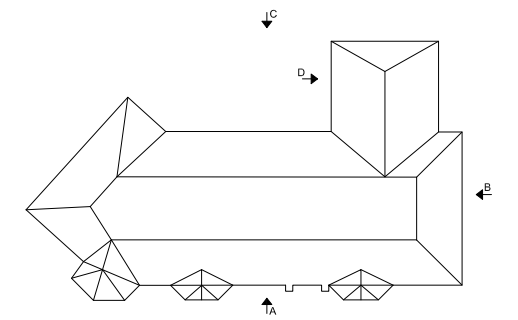
Fit To Sheet	02/09/2021	Rev. P00
--------------	------------	----------

Drawing No.

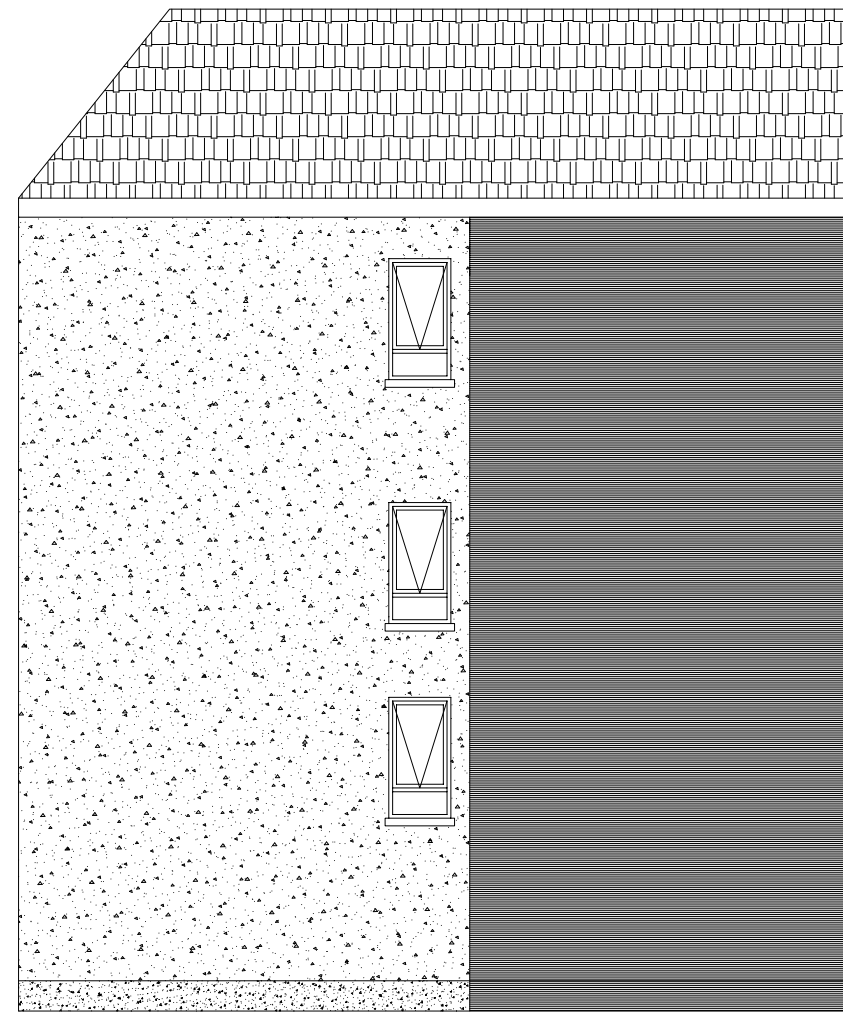
**FSW235-002**

Notes:

Elevation Layout



Elevation B



Elevation D

FS Site Services Ltd t/a FS Windows  
www.fswindows.co.uk  
enquiries@fswindows.co.uk  
mob: 07947 160876



Client:

Wates

Project:

1-6 Park Mansions

Drawing:

Existing Elevation B & D

Drawn: PZ

Status: S4 - Suitable for Approval

Tolerances: ±3mm to overall dimensions,  
±1mm to profiles, beads and other small sections

Scale:	Date	Revision
--------	------	----------

Fit To Sheet	02/09/2021	Rev. P00
--------------	------------	----------

Drawing No.

**FSW235-003**