

# CEDRAL



The world of Facades

## Fixing guide





# Cedral Lap and Cedral Click

With the visual appeal of natural timber, simplicity of installation and resistance to rot, Cedral is an attractive, low maintenance alternative to all types of weatherboard.

# Cedral soffit and fascia board

Cedral soffit and fascia board is an impact resistant, durable board which is available in 9 colours and 3 sizes.

## CONTENTS

- |    |                             |    |                                       |
|----|-----------------------------|----|---------------------------------------|
| 4  | Product features            | 20 | Installing Cedral Lap – horizontal    |
| 5  | Cedral Lap and Cedral Click | 44 | Installing Cedral Click – horizontal  |
| 6  | Dimensions and properties   | 56 | Vertical installation                 |
| 7  | System principle            | 80 | Installing Cedral soffits and fascias |
| 8  | Colours                     | 86 | Preventing efflorescence              |
| 10 | Accessories                 |    |                                       |
| 12 | Storage and handling        |    |                                       |
| 14 | General fixing information  |    |                                       |

# Product features



Easy to install



Low maintenance



Resistant to rot and immune to attack by pests and insects



Water resistant



Class 0 and EN 13501-1 fire performance classified to A2-s1, d0



UV resistant



Factory applied colour



### CEDRAL LAP

Fitted in traditional lapped style and with the visual appeal of natural timber, Cedral is an attractive, low maintenance alternative to all types of weatherboarding.



### CEDRAL CLICK & CEDRAL CLICK SMOOTH

Cedral Click is the UK's first flush fitting, fibre cement, tongue and groove cladding board and is supplied with a simple 'Click Clip System', which makes installation quick and easy.

# Dimensions & properties

DIMENSIONS	CEDRAL LAP	CEDRAL CLICK
Length	3600mm	3600mm
Width	190mm	186mm
Thickness	10mm	12mm
Weight per board	11.2kg	12.2kg
Planks per m <sup>2</sup> *	1.75	1.60
Cover width	–	174mm

\* Undulating planks 2.24 per m<sup>2</sup>, flat method 1.45 per m<sup>2</sup>

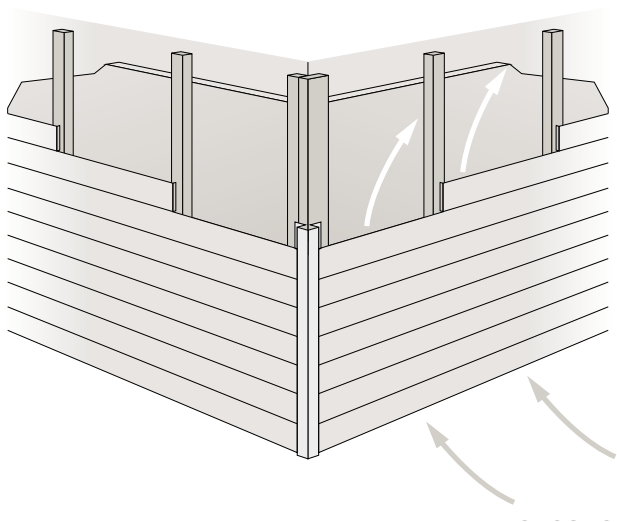
PROPERTIES (AIR DRY)	CEDRAL LAP	CEDRAL CLICK
Installed weight	19.3kg/m <sup>2</sup>	17.8kg/m <sup>2</sup>
Density	1300kg/m <sup>3</sup>	1300kg/m <sup>3</sup>
Bending strength:		
Longitudinal	23N/mm <sup>2</sup>	23N/mm <sup>2</sup>
Transverse	11N/mm <sup>2</sup>	11N/mm <sup>2</sup>
Modus of elasticity:		
Longitudinal	7500N/mm <sup>2</sup>	7500N/mm <sup>2</sup>
Transverse	5500N/mm <sup>2</sup>	5500N/mm <sup>2</sup>
Expansion from dry air to saturated	1.75mm/m	1.75mm/m
Thermal conductivity	0.212W/mK	0.212W/mK
Reaction to fire:		
Building Regulations	Class 0	Class 0
EN13501-1	A2-s1, d0	A2-s1, d0

# System principle: ventilated rainscreen

Cedral Lap and Cedral Click are installed to the ventilated rainscreen principle. This means air can flow in at the base of the system, behind the cladding and then out, over the top of the Cedral weatherboard system.

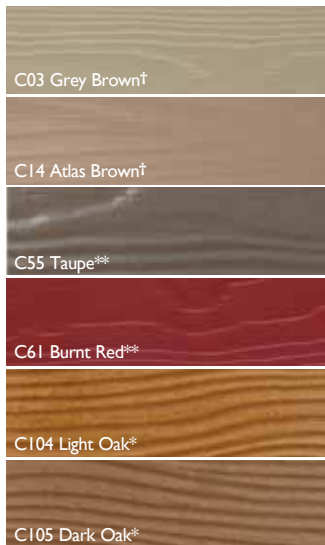
A minimum 30mm ventilation gap must be left behind the boards with a minimum 10mm continuous gap left at the top and bottom of the system for full circulation.

The air flow behind the Cedral weatherboard enables the system to remove moisture. Impeding this process could lead to moisture problems within the system.



# Colour range

## EARTH TONES



## FOREST TONES



## WOODSTAINS

Cedral Lap is available in 2 woodstain shades designed to mimic the appearance of stained natural wood finish and as such, a variation in colour and shade is part of the effect inherent in the material design. The translucent finish will be accentuated by the effects of ambient light and viewing angle.

Due to transparent coating, it is not recommended to install Cedral Lap woodstain colours vertically.

\* Not available in Cedral Click, Cedral Click Smooth or Cedral Lap Smooth.

\*\* Cedral Click in the colours identified may be subject to minimum order quantities and extended lead times.

† Cedral Board is available in these colours.



## MINERAL TONES



## OCEAN TONES



## AVAILABILITY

Cedral Lap can be supplied in a range of 21 factory applied colours and two woodstain finishes providing an aesthetic option to suit most project requirements.

Cedral Click and Cedral Click Smooth finishes can be supplied in a range of 10 factory applied colours. Other colours within the range, bespoke colours and Cedral Click Smooth are subject to minimum order quantities and extended lead times.

All painted colours are available in a smooth finish for Cedral Lap and Cedral Click (subject to extended lead times).

Bespoke colours are subject to minimum order quantities and extended lead times.

# Accessories

## TOUCH UP PAINT

Cedral touch up paint is available in 0.5 litre quantities for all colours. This should be applied sparingly with a small brush, only where there is damage to paint or on cut edges. Any overspill should be removed immediately.

## ALUMINIUM TRIMS

Supplied in 3m lengths (horizontal and vertical applications) and colours to match and complement the Cedral range\* (Perforated closures are 2.5m in length).



\* Cedral Click Start profiles are not colour matched

## CEDRAL LAP SCREWS

The use of Cedral lap screws is recommended when installing Cedral Lap. Size 4.0 x 45mm. Supplied in boxes of 250.



## CEDRAL COLOUR MATCHED SCREWS

The use of Cedral colour matched screws is recommended for all visible fixings. Supplied in boxes of 100, size 4.8 x 38mm.



## CLICK CLIPS AND SCREWS

The use of Cedral Click Clips is required when installing Cedral Click. These are supplied complete with stainless steel screws in boxes of 250. For metal, Click Clips and rivets are available.



*For your nearest*

*stockist, please*

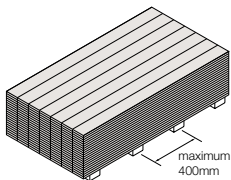
*visit [cedral.co.uk](http://cedral.co.uk)*

# Storage and handling

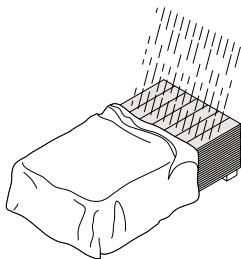
## STORAGE

Cedral should be stored under cover on the pallets on which they are supplied. Any temporary transportation hoods should be removed to release any trapped moisture and the pack re-covered with an opaque tarpaulin.

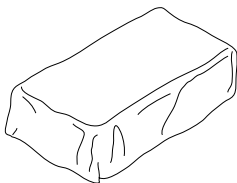
The planks should be protected from mud staining.



Ensure sufficient bearers, stack on a level surface and never stack against a wall



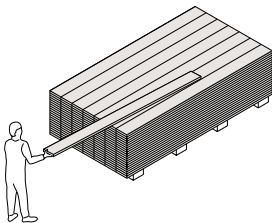
Must be protected from the weather



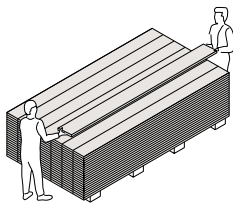
Store under cover, ideally inside

## HANDLING

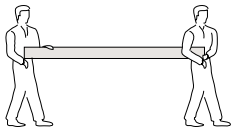
Care should be taken at all times when handling Cedral on the flat, as it can break. While Cedral is stored on the flat, it should be fully supported along its full length on purpose designed pallets. Manual handling is best carried out with the planks carried on their sides. When a single person is carrying a plank, it should be turned on to its side before being lifted off the stack, and then the handler must keep their hands as far apart as possible to provide maximum support for the board.



Do not drag planks off the stack



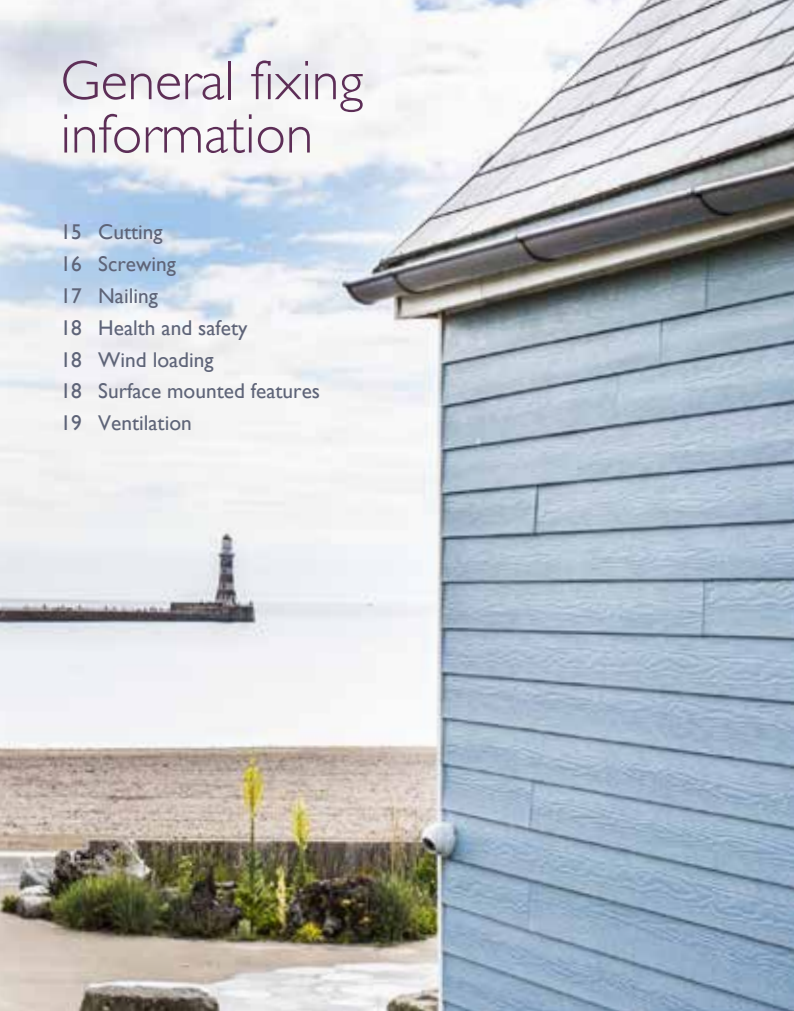
Planks must be lifted off the stack



Carry on edge but do not store on edge

# General fixing information

- 15 Cutting
- 16 Screwing
- 17 Nailing
- 18 Health and safety
- 18 Wind loading
- 18 Surface mounted features
- 19 Ventilation



# Cutting

The method of cutting is dependent on the amount there is to be done. It is possible to cut the board with a handsaw, guillotine, electric jigsaw or circular saw.

After cutting, wipe away dust with a clean, dry cloth.

Note: Cutting and drilling must take place in a dry and well ventilated environment.

## **GUILLOTINE**

Cedral can be cut with a specially manufactured guillotine (recommended for Cedral Lap only).

## **ELECTRIC JIGSAW**

Turning Cedral over and cutting on the reverse will ensure a clean finish on the front of the plank.

## **HAND HELD CIRCULAR SAW**

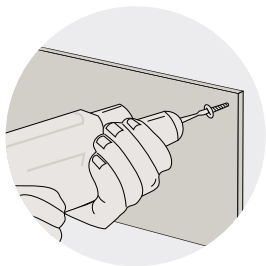
A hand held circular saw with fibre cement blades is ideal for cutting large quantities. These are available from local suppliers.

## **A DIAMOND-DUSTED BLADE (RECOMMENDED)**

Used with a tungsten tipped blade of 36 teeth on a 180mm diameter blade is recommended for cutting. Also with this method, cutting from the back of the board is advisable as the saw guide leaves marks across the board surface. Test cutting is recommended.

# Screwing (recommended)

Screw fixing to the support structure is recommended and can be achieved without pre-drilling where fixings are at least 50mm from the end of the board. Where screws are to be within 50mm of the end of the board then a pre-drilled hole and countersink is required to suit the screw size. Screws must be stainless steel min. size 4.0 x 45mm.

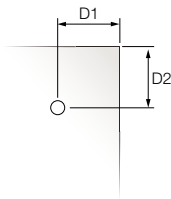


The following minimum distances from the edge to the screw and nail must be respected.

## EDGE DISTANCE

D1 20mm

D2 20mm





# Nailing

## PNEUMATIC NAILING

Cedral can be pneumatically nailed. There is a large selection of guns on the market. Stainless steel fixing is a must, as they last as long as the board.

The nail length should be minimum 45mm, diameter can be 2.5mm or 2.8mm, head 6 to 7mm diameter. A ring shank nail is preferred. Only round headed nails are allowed.

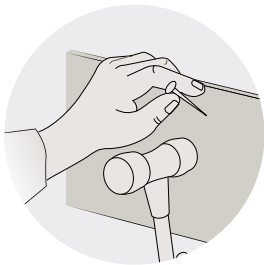
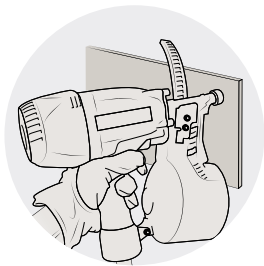
Trial nailing should be conducted to set the depth of the fixing. Respect the minimum 20mm edge distance.

Any pneumatic gun which is being considered, must be adjustable otherwise the nails could either be fired right through the board or left proud of the face of the board (check with manufacturer).

Nail head should lie flat on the plank surface and should not be **driven** or **sunken** into the plank.

## NAILING BY HAND

The board can be hand nailed without pre-drilling when the nails are at least 50mm from the end of the board. For nails closer than 50mm to the end, nail positions need pre-drilling with a 3mm drill bit. Normal HSS drill bits can be used but they will need regular sharpening. Nails should be stainless steel ring shank, minimum size 2.8 x 45mm with 7-10mm head. Nail head should lie flat on the plank surface and should not be **driven** or **sunken** into the plank.



# Health & safety

Dust can be released while the sheets are being processed which can irritate airways and eyes. Long-term exposure to dust can be harmful to health. For more information, please refer to the safety data sheet which can be found in the technical section for Cedral Lap at [www.cedral.co.uk](http://www.cedral.co.uk).

## High wind loading; very severe/severe exposure or exceptional impact loading requirements

Should wind loading exceed  $1.0\text{kN/m}^2$ , or where the exposure is classed as 'severe' or 'very severe', please consult the Technical Department. Where exceptional impact loads to the Cedral planks can be anticipated (i.e. low level applications near pedestrian access, schools, leisure facilities etc.) additional timber battens should be incorporated between the fixing battens, and an increased overlap (Cedral Lap) to increase the plank resistance.

## Surface mounted features

Where other building features (i.e. signs, gutters, canopies etc.) are to be fixed then additional batten work should be included and clearance holes must be provided through Cedral. Under no circumstances should the Cedral planks receive additional structural loads.



## Ventilation

To avoid interstitial condensation, a minimum 30mm free flow cavity should be provided behind the Cedral with a minimum 10,000mm<sup>2</sup>/m run of ventilation at the top and bottom of the installation.

The use of 38mm deep battens will provide the necessary cavity and will be of minimum sufficiency to resist the pull-out loads generated by the planks.

# Installing Cedral Lap horizontally

- 21 Introduction
- 22 Batten fixing
- 23 Perforated closures
- 25 Vertical profiles
- 29 Horizontal profiles
- 31 Fixing method
- 38 Corner options
- 41 Finishing and decoration
- 42 Additional insulation



# Introduction

There are a number of fixing variants for Cedral, but the general principle is the same for all.

Cedral needs to be fixed to vertical timber battens (preservative treated and planed on two faces) of at least 50mm wide (subject to site location), spaced at a maximum of 600mm across the elevation. Cedral should be fixed to at least three battens: if it is only fixed to two, then the batten spacing should be reduced to 400mm.

A minimum 30mm clear cavity must be provided behind Cedral with a 10mm continuous opening at the base, head and at the window and door heads and cills.

## 7 STEP INSTALLATION PROCEDURE

1. Fix battens to wall
2. Attach perforated closures to top and bottom of battens
3. Fix vertical profiles
4. Fix horizontal starter profiles
5. Cut and fix Cedral Lap planks
6. Corner options
7. Finishing and decoration

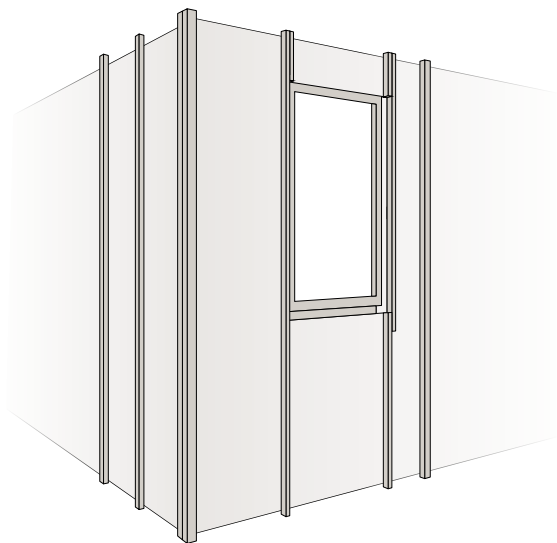
# Batten fixing

## POSITION AND FIX THE VERTICAL BATTENS\*

Battens to be spaced a maximum of 600mm apart (reduce this in high windload areas).

## BATTEN SIZES

- Standard fixing – 50mm x 38mm
- Joints/corners – 75mm x 38mm



\* For solid walls, timber frame and metal stud constructions it is good practice to include a breathable membrane behind the battens. Generally for unfilled/partially filled cavity walls there is no requirement to do this.

# Perforated closures

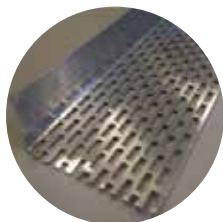
## ALUMINIUM FINISH 2.5M LENGTH

Perforated closures should be screwed or nailed to both the top and bottom of battens. They are designed to protect against birds, rodents and some insects whilst allowing air to flow through the system.

Available in depths of 40mm, 50mm, 70mm and 100mm to allow for coverage of external insulation.

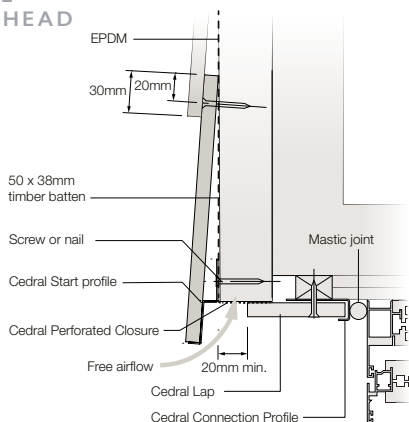
Perforated closures should also be attached to each door, cill and window head, to prevent animal and insect ingress whilst allowing ventilation paths to be maintained.

Allow 10mm continuous air gap for door and window heads, soffits and window cills. This will result in a 20mm air gap at window and door heads

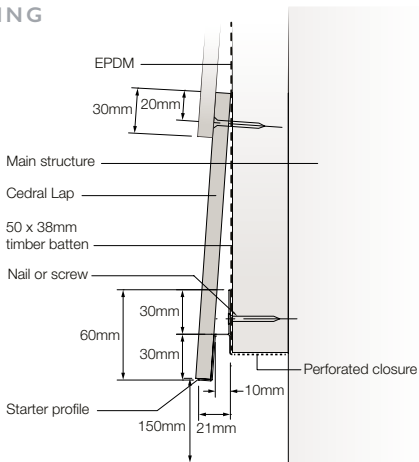


Perforated closure

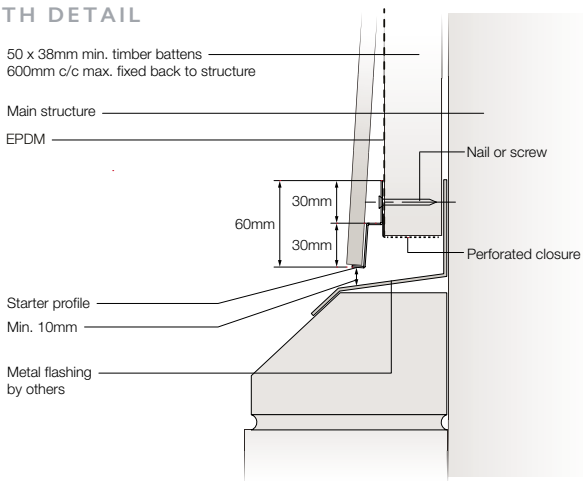
## PERFORATED CLOSURE SHOWN AT WINDOW HEAD



## BASE OF CLADDING



## PLINTH DETAIL

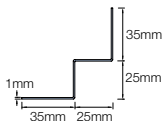




# Vertical profiles

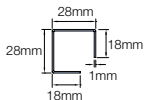
Cedral trims are 3m in length and manufactured to meet the required safety standards and have a guaranteed level of quality. They are colour matched to Cedral planks and branded on the reverse for easy identification.





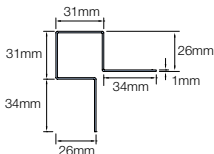
## INTERNAL CORNER

To finish the corner where Cedral meets an internal corner forming a seal between the trim and the corner.



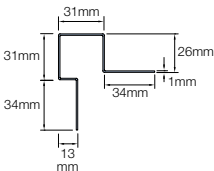
## EXTERNAL CORNER JUNCTION

Used as a corner joining piece. Only available in black. 300mm length.



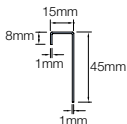
## EXTERNAL CORNER (SYMMETRIC)

This universal trim can be used to provide protection on external corners and for stop profile applications.



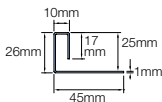
## EXTERNAL CORNER/WINDOW REVEAL (ASYMMETRIC)

Used as an external corner on window reveals where detailing on a reveal is a single piece.



## CONNECTION PROFILE

End trim to finish Cedral when used as a single piece on a window reveal or soffit.

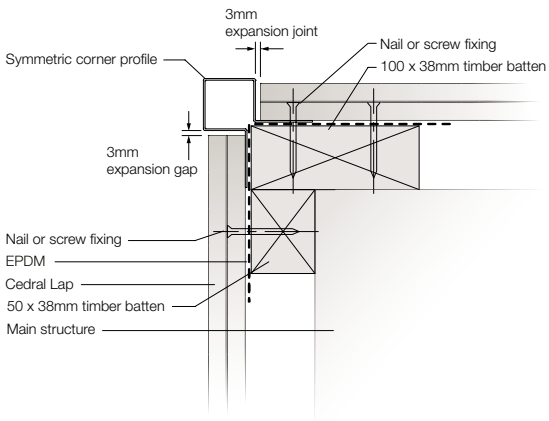
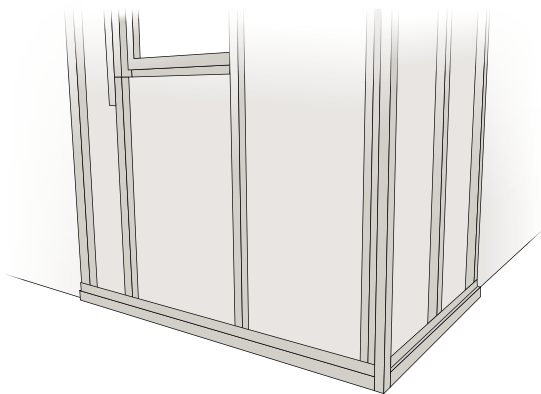


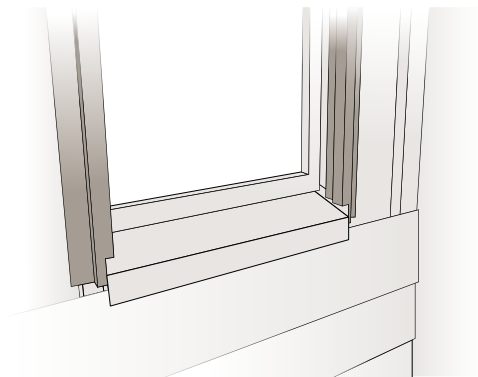
## END PROFILE

To finish Cedral where installed in a lap configuration.

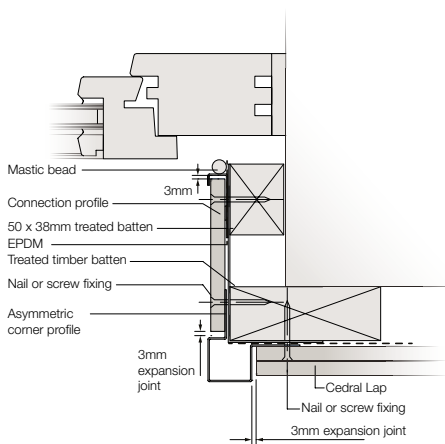
## FIX VERTICAL PROFILES

Position, level then screw or nail end profiles, corner profiles and window profiles into place.

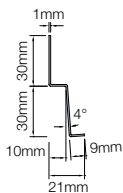




Fix external window (asymmetric) profiles to the sides of the window.

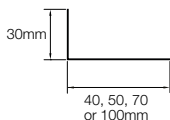


# Horizontal profiles



## STARTER PROFILE

Used to start a cladding run with a lip to cover the first batten. 3m in length.



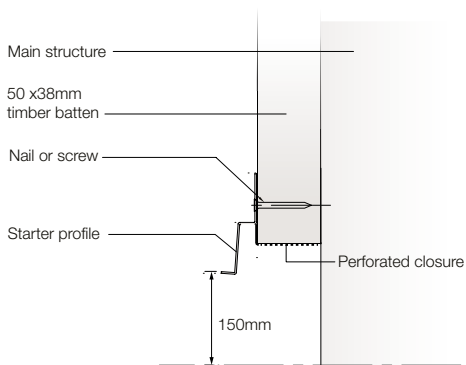
## PERFORATED CLOSURE

Designed to protect against vermin and some insects while still allowing air to flow through the system. 2.5m in length.



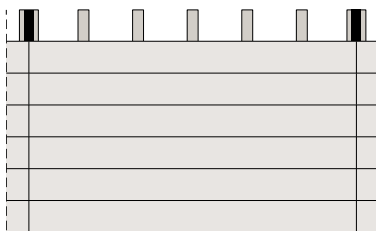
## FIX HORIZONTAL STARTER PROFILES

Ensure starter profile is level then screw or nail into place. The starter profile will 'kick out' the first plank to ensure the look is uniform with the rest of the installation.

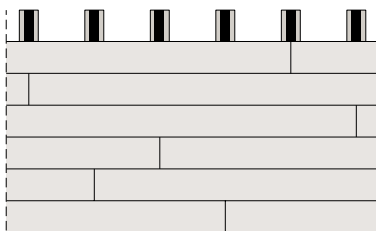


# Fixing method

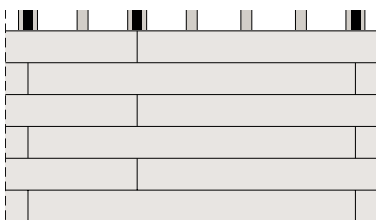
## CHOOSE YOUR HORIZONTAL LAYING PATTERN



Straight or  
butt jointed



Free pattern



Semi pattern or  
broken bond

## START INSTALLATION

Place the first Cedral plank onto the starter profile. Ensure that the plank is fixed to every batten it crosses. The end of every plank must also coincide with a batten.

Allow at least 150mm between bottom edge of Cedral and the ground.

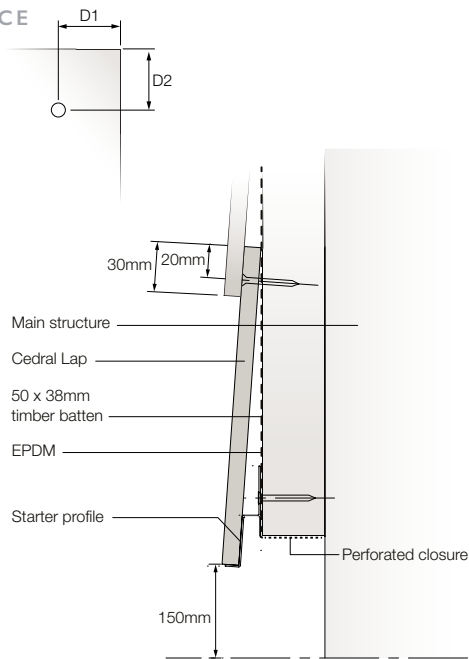
Lengths of over 400mm must be fixed to at least 3 battens.

Fixings must be a minimum of 20mm from the edges of the Cedral plank:

## EDGE DISTANCE

D1 20mm

D2 20mm





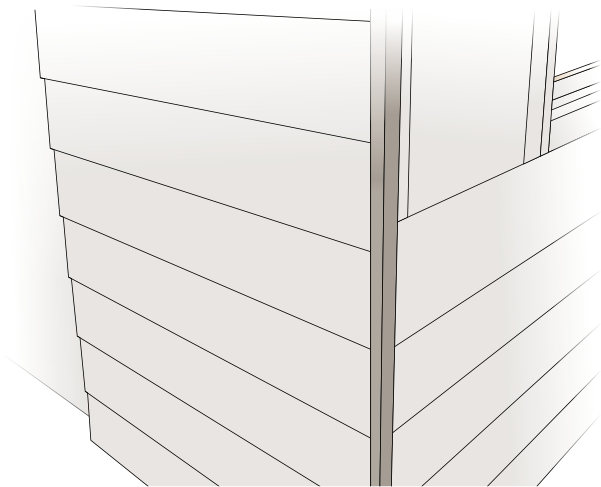
## CEDRAL INSTALLATION

Overlap the next plank by 30mm, fix into place then continue fixing Cedral up the wall using the same method.

Each plank must be fixed at least once to every support. The end of every plank must also coincide with a support. Where specified, install vapour barrier or breather membrane over the wall or framework behind the timber studs.

Allow at least 150mm between bottom edge of Cedral and the ground. Fixing is done through the upper edges. There is no side overlap, the planks being simply loose butt jointed against one another, and the joint must coincide with a timber support.

A strip of EPDM should be applied along the length of the batten behind all vertical profiles and behind every Cedral plank joint.



## JOINTING OF CEDRAL

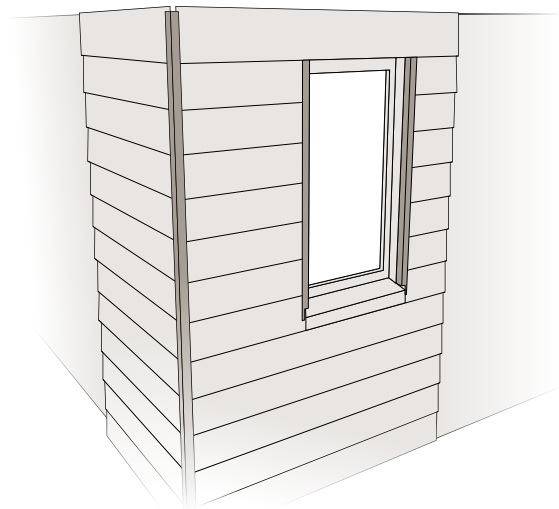
When two planks of Cedral are joined together and fixed to one batten, a protective strip should be placed onto the batten to guard against moisture ingress. This is known as an EPDM strip.

Planks should be loose butt jointed together, do not use force.

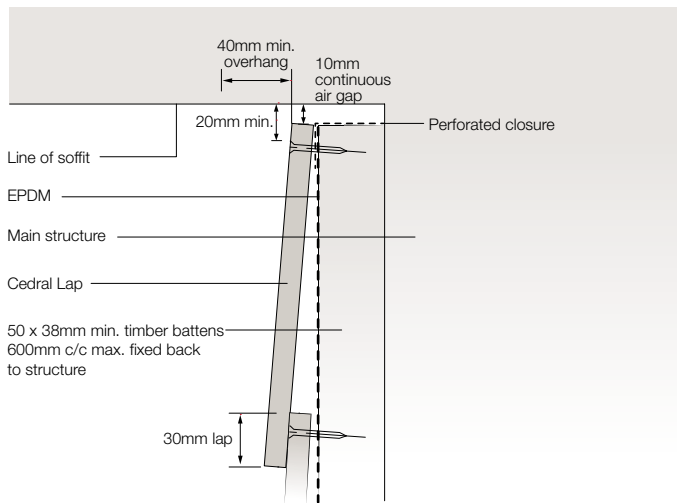


## FINISHING CEDRAL AT TOP OF WALL

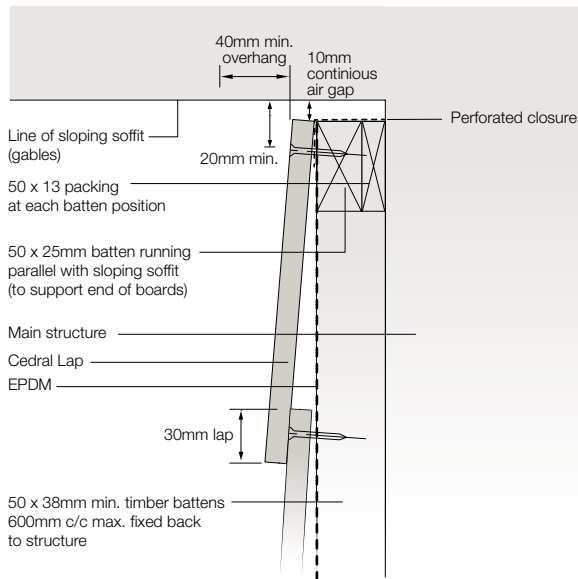
When finishing the top plank, the fixings will remain visible. For best results use colour matched Cedral screws.



## SOFFIT DETAIL



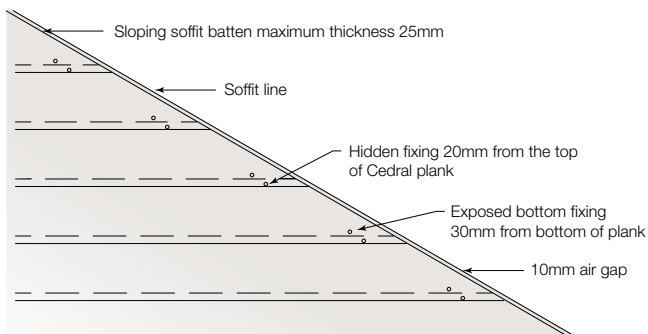
## SLOPING SOFFIT DETAIL



## FINISHING CEDRAL AT TOP OF WALL: ABUTMENTS AND GABLES

Where Cedral abuts another material and when no end trims are required, the end of Cedral must not be more than 100mm past the last fixing point.

On the gable ends with the triangular abutment, Cedral needs to be fixed top and bottom to the batten that is parallel to the roof slope. If the bottom edge is not secured, curling can occur in certain conditions.

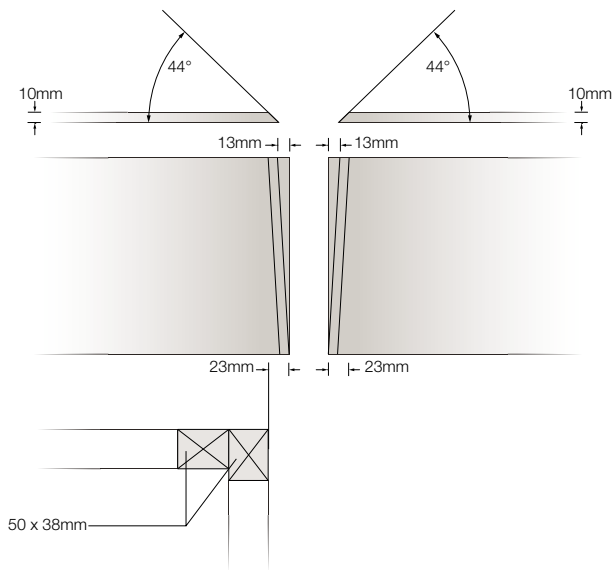


# Corner options

There are a number of ways of finishing both external and internal corners using Cedral.

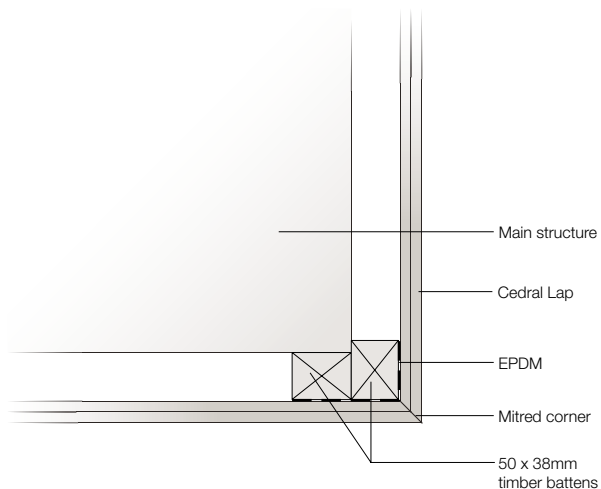
## OVERLAPPING CORNER

This is when the board of one side overlaps the end of the plank on the other side. There will always be one end of plank showing with this method. These ends need to be decorated to match the finish on Cedral. The transverse cuts of the plank at the corner positions will not be perpendicular with the sides of the boards.

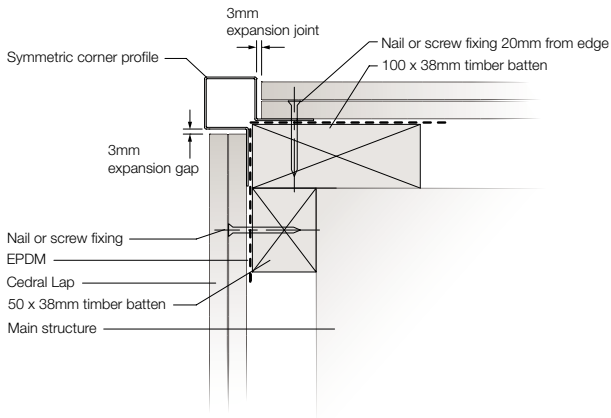


## MITRED CORNER

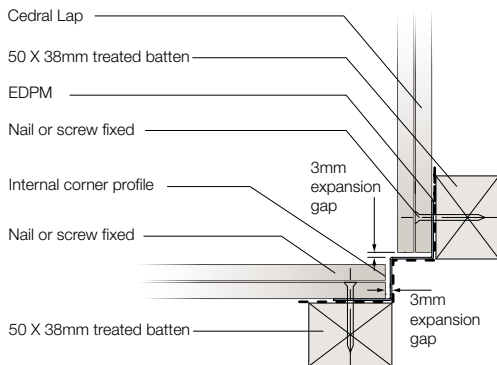
To form the mitre the planks have to be cut 23mm longer on the bottom edge, 13mm longer on the top edge than the dimension to the corner of the support battens. This cut is also cut at an angle of  $44^\circ$  through the thickness of the plank (we suggest marking the plank at  $45^\circ$  and under-cut). The above only works on a true  $90^\circ$  corner, other corner angles will be by trial and error.



## EXTERNAL CORNER DETAIL

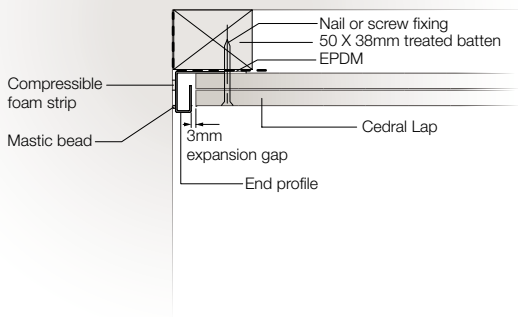


## INTERNAL CORNER DETAIL





## CORNER/ABUTMENT WITH END PROFILE



## Finishing & decoration

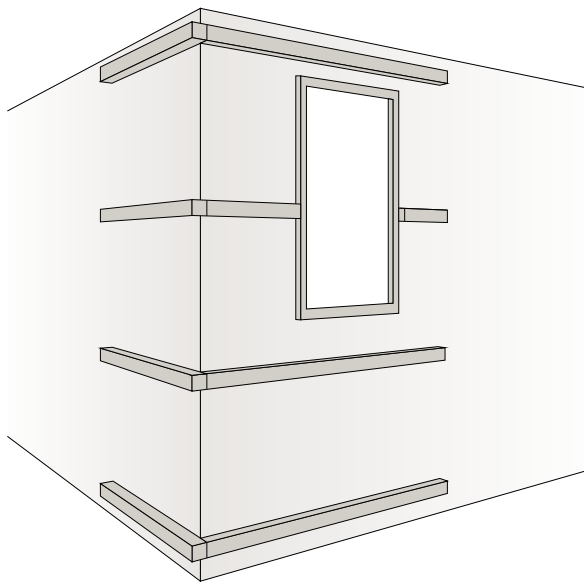
Touch up paint is available in all colours of Cedral. This should be applied sparingly with a small brush, only where there is damage to paint or on cut edges. For woodstain shades, lightly coat the cut edges with the touch up paint to protect against edge staining post installation.

# Additional insulation

Should insulation be required, additional cavity depth can be gained with the use of cross battens or adjustable brackets.

## SECURELY FIX HORIZONTAL BATTENS ON WALL/SUBSTRATE\*

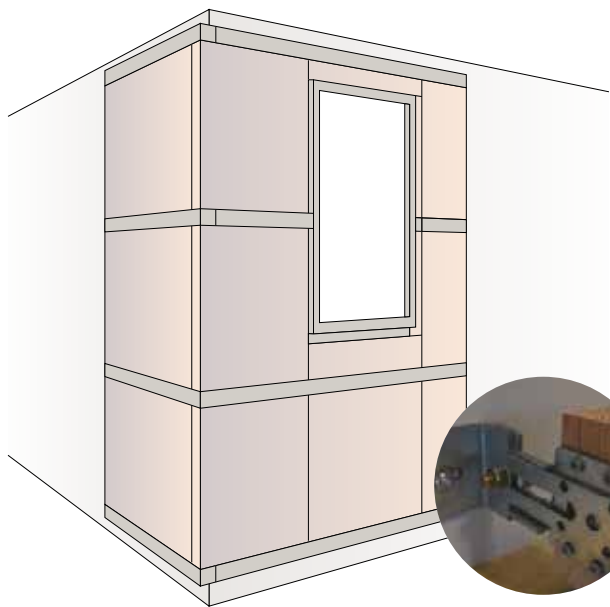
These will accommodate any insulation required and also support the vertical battens to which the Cedral planks will be fixed.



\* For solid walls, timber frame and metal stud constructions it is good practice to include a breathable membrane behind the battens. Generally for unfilled/partially filled cavity walls there is no requirement to do this.

## FIX INSULATION TO THE WALL BETWEEN THE BATTENS OR ANGLE BRACKETS

Make sure there are no gaps. Alternatively, use adjustable wall brackets to fix battens if greater thickness of insulation is required. Vertical battens will then be fitted on top of the horizontal battens.



Adjustable wall bracket

# Installing Cedral Click Horizontally



- 45 Introduction
- 46 Batten fixing
- 47 Perforated closures
- 48 Vertical profiles
- 49 Horizontal profiles
- 50 Fixing method

# Introduction

## 5 STEP INSTALLATION PROCEDURE

- 1 Fix battens to wall
- 2 Attach perforated closures to top and bottom of battens
- 3 Fix vertical profiles and horizontal starter profiles
- 4 Cut and fix Cedral planks
- 5 Other detailing

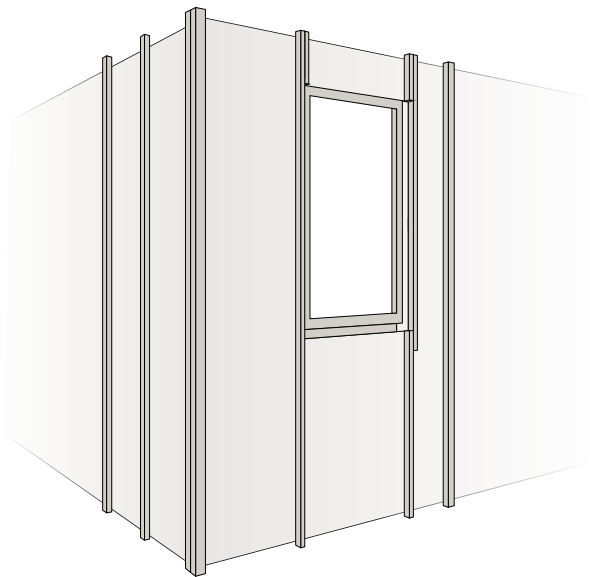


# Batten fixing

Position and fix the vertical battens. Battens to be spaced a maximum of 600mm apart (reduce this in high windload areas).

## BATTEN SIZES

- Standard fixing – 75mm x 38mm
- Joints/Corners – 100mm x 38mm



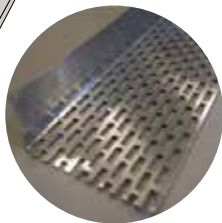
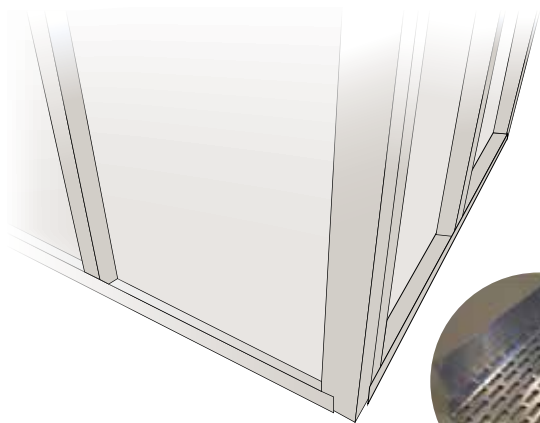
# Perforated closures

Perforated closures should be screwed or nailed to the top and bottom of battens for each door, cill and window head.

They are designed to protect against birds, rodents and some insects while still allowing air to flow through the system.

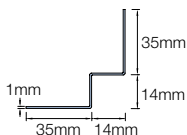
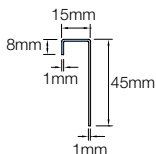
Allow 10mm continuous air gap for door and window heads, soffits and window cills. This will result in a 20mm gap at window and door heads.

Available in depths of 40mm, 50mm, 70mm and 100mm to allow for coverage of external insulation.



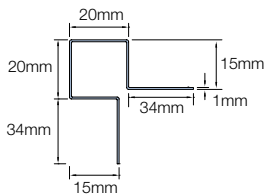
Perforated closure

# Fix vertical profiles



## CONNECTION PROFILE

End trim to finish Cedral when used as a single piece on a window reveal or soffit.

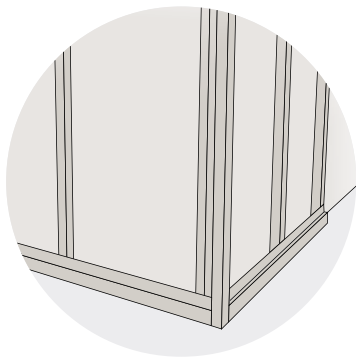


## EXTERNAL CORNER/ WINDOW REVEAL

Can be used as an external corner or where detailing on a window reveal.

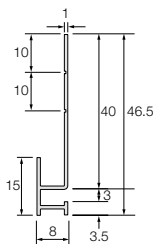
## INTERNAL CORNER

To finish the corner where Cedral meets on an internal corner forming a seal between the trim and the corner.



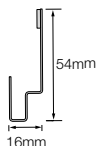


# Fix horizontal profiles



## STARTER PROFILE

Used at base of the external wall. Installed absolutely level to ensure installation of Cedral Click panels remains perfectly parallel. Supplied in a mill finish.



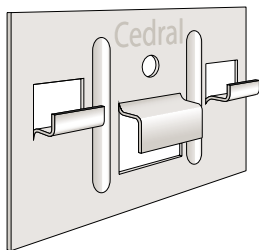
## WINDOW LINTEL PROFILE

Used to finish above the window and to support the next course of Cedral Click.

# Fixing method

All fixing will be achieved with Click clips.

These are fixed with stainless steel Cedral supplied, flat-head screws onto timber or with rivets onto metal frame.



## FIXING CLIP AND SPECIAL SCREW FIXING

Clip and screw (3.9 x 30mm, 11mm head) are made of stainless steel 304 (A2).

The clip dimensions are: 60 x 37 x 0.6mm with hooks matched to the Cedral Click requirements.

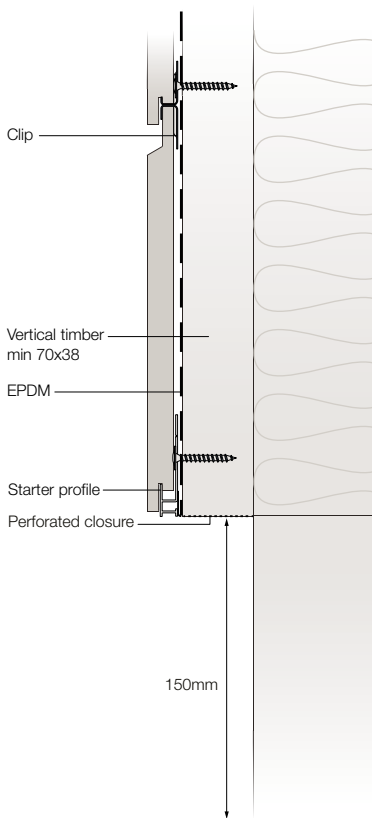
The screw should be the Cedral supplied fixing, as this screw has a specially designed low profile (flat) head.

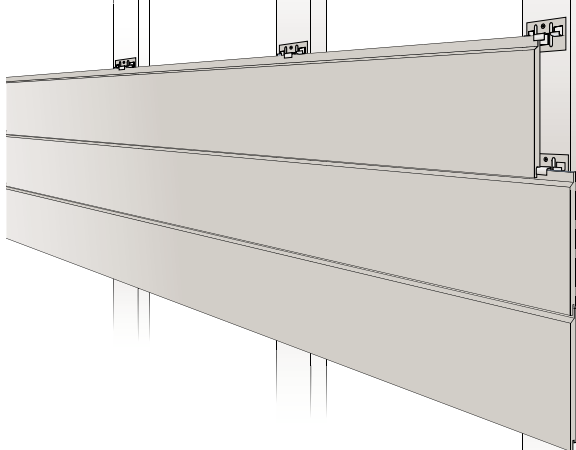


## BASE OF WALL

A minimum 30mm clear cavity must be provided behind the Cedral Click planks with a 10mm continuous air gap. Assembly starts at the bottom of the outside wall with the purpose designed Cedral Click plank start profile. Before any Cedral profiles or planks are installed, ensure that EPDM is installed on to every batten. The start profile must be perfectly level. Use appropriate countersunk head screws so the screw head does not block the placement of the first Cedral Click plank. The first Cedral Click plank is then fitted on to the start profile and fixed with clips on every support. Then the next Cedral Click plank is put on the first one.

The plank will then be fixed with the use of Click clips, these will be placed on every batten.

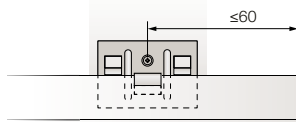
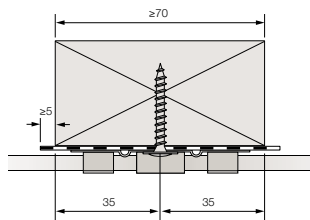




## CONTINUED INSTALLATION

The Cedral Click planks are placed with the ends against each other and always on top of an underlying supporting batten.

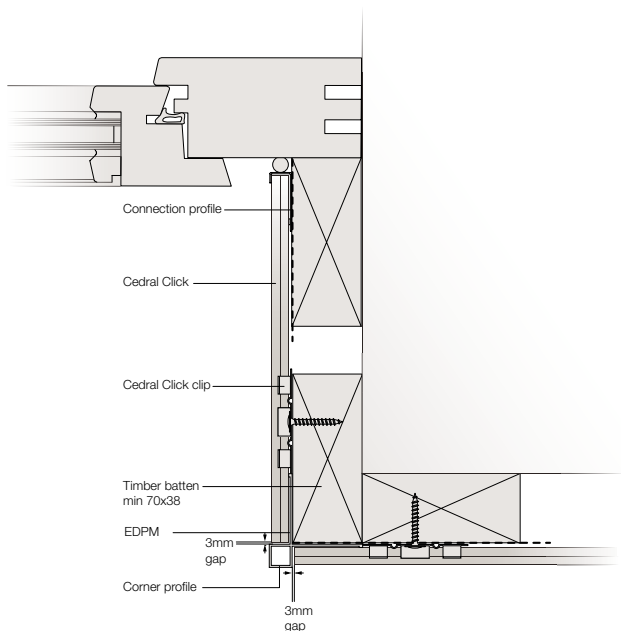
Not only behind the joints, but the entire wooden supporting battens are protected by a joint sealing strip with sufficient stiffness. If the joint sealing strip is exposed to light, a UV-resistant material such as EPDM must be used.



The distance from the edge of the Click Clip to the edge of the Cedral plank should not exceed 60mm

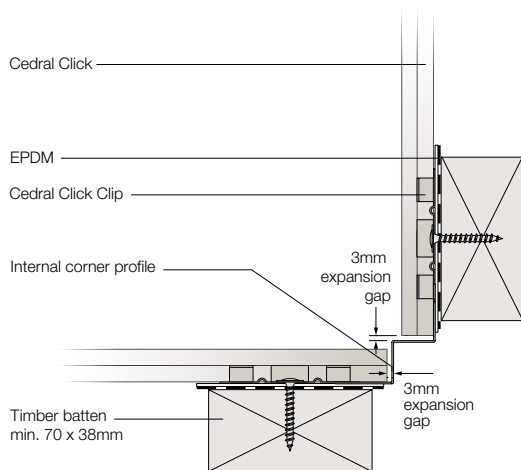
## WINDOW DETAILING AND EXTERNAL CORNER

The vertical reveal sides of a window can be finished with the Cedral Click external corner profile. At the window head, the lintel profile can be used. This lintel profile can be used with whole Cedral Click planks or with cut planks. Holes in the lower part of the back of the profile prevent water pooling in the profile.



## INTERNAL CORNER

To finish an internal corner, use Cedral Click internal corner profile which forms a seal between the trim and the corner.

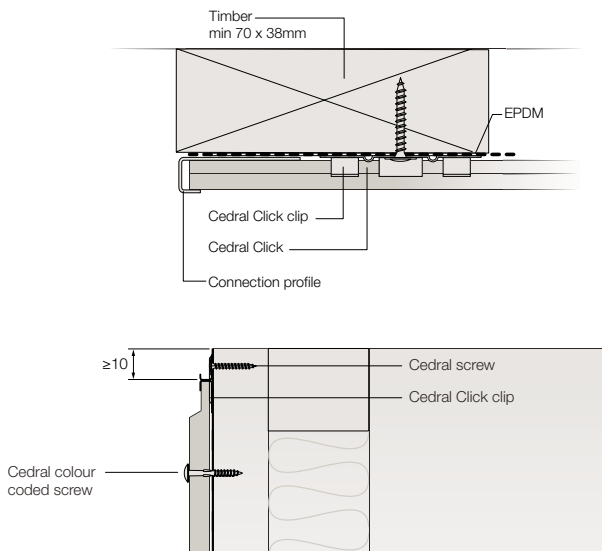


## FIXING THE LAST CEDRAL CLICK PLANK

At the top of the facade there are two options for fixing the last Cedral Click plank:

- If the facade finishes with a whole Cedral Click plank it can be fixed with clips.
- If the facade finishes requiring a trimmed Cedral Click plank it should be fixed with coloured mushroom head screws.

The screws must be inserted perpendicular to the panel surface using an electric drill with a high quality bit suitable for the type of screw head.



# Vertical installation of Cedral

- 57 Introduction
- 58 Lay of planks
- 60 Install timber battens
- 61 Perforated closures
- 62 Cedral Lap profiles
- 64 Cedral Click profiles
- 65 Undulating Lay pattern
- 67 Flat lay pattern
- 69 Lapped lay pattern
- 71 Open joint fixing
- 77 Cedral Click system





# Introduction

## VENTILATED RAINSCREEN SYSTEM

A ventilated rainscreen cladding system must be fixed onto battens to allow an air gap behind the cladding.

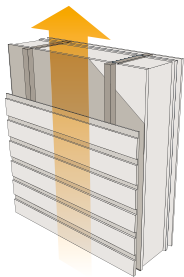
With a traditional horizontal installation of Cedral only vertical battens would be needed.

To install Cedral vertically, vertical battens must be installed first, with horizontal counter battens then placed on top. This allows the air gap behind the cladding while giving a fixing point. The horizontal battens should be trapezoidal in shape to allow for water run off

Please note: A minimum air gap of 10mm must be left at the top and bottom of all sections to allow air to flow completely through the system.

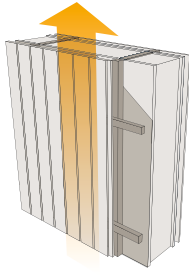
### HORIZONTAL

Passage  
of air



### VERTICAL

Passage  
of air

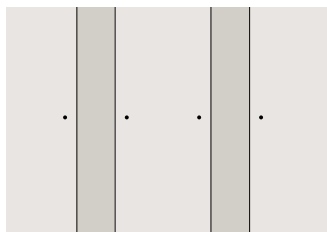


## 5 STEP INSTALLATION PROCEDURE

- 1 Decide on the 'lay' of the Cedral planks
- 2 Install timber battens
- 3 Fix perforated closures
- 4 Fix profiles
- 5 Install Cedral planks

# Decide on the lay of the planks

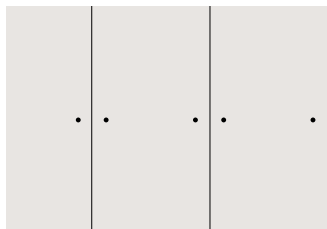
Cedral can be installed vertically using one of 5 different options:



## UNDULATING

Planks are laid in an “over under over” pattern.  
The fixings remain visible.

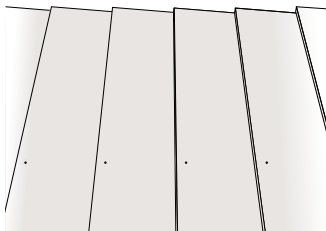
**Page 65**



## FLAT

Planks are laid next to each other, either loosely butted or with up to a 2mm gap. Fixings remain visible.

**Page 67**



## LAPPED

Planks are overlapped by 30mm.  
Fixings will remain visible.

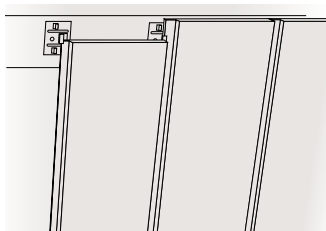
**Page 69**



## OPEN JOINT FIXING

Planks are laid with 3-12mm gaps  
between each plank.

**Page 71**



## CEDRAL CLICK

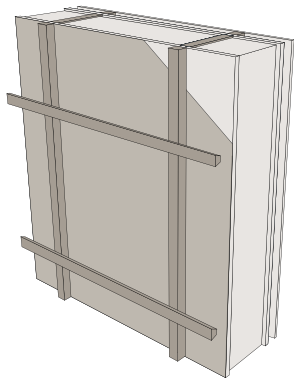
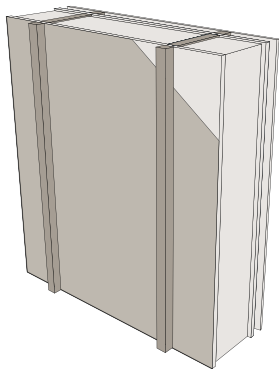
Cedral Click planks are used in  
conjunction with Click Clips. This is  
a tongue and groove system where  
all fixings are hidden apart from the  
fixings on the starter and final boards.

**Page 77**

# Install timber battens

Vertical battens must be placed first. These must be a minimum size of 25mm x 50mm and spaced at a maximum 600mm.

Adjustable wall brackets can be used instead of vertical timber battens.



Horizontal counter battens should then be fixed.

These must be a minimum size of 38 x 50mm (38 x 75mm for Cedral Click) and spaced at a maximum 600mm. They should also be trapezoidal in shape to allow for water run off away from the Cedral planks.

A small gap of 5 mm should be left between the batten ends where they join.

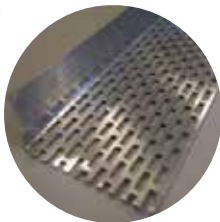
EPDM should be installed on the front face of the horizontal battens.

# Perforated closures

Fix perforated closures to the top and bottom of the vertical timber battens, including each door, cill and window head.

Perforated closures allow the flow of air while preventing birds, vermin or pests gaining access.

If using adjustable wall brackets, fix the perforated closure to the rear of the top and bottom vertical battens. Adjust the brackets to ensure the rear gap is completely closed top and bottom.

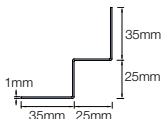


Perforated closure



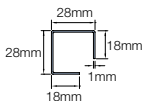
# Cedral Lap profiles

When installing Cedral Lap vertically, consideration should be given to the profiles used. All profiles are supplied in 3m lengths. For further information, please contact the Facade Technical Advisory Service.



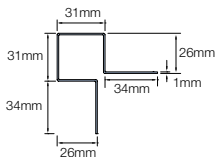
## INTERNAL CORNER

To finish the corner where Cedral meets an internal corner forming a seal between the trim and the corner.



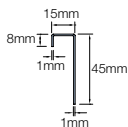
## EXTERNAL CORNER JUNCTION

Used as a corner joining piece. Only available in black. 300mm length.



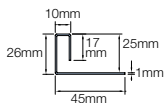
## EXTERNAL CORNER (SYMMETRIC)

The profile can be installed where two elevations of Cedral join at a 90° corner.



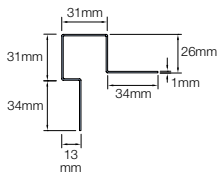
### CONNECTION PROFILE

Used to finish Cedral when installed as a single piece in a window or door reveal.



### END PROFILE

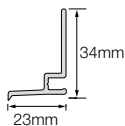
To finish Cedral where installed in a lap or undulating configuration.



### EXTERNAL CORNER/WINDOW REVEAL (ASYMMETRIC)

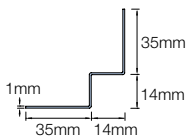
Used as an external corner on windows and doors when detailing a single piece in the reveal.

# Cedral Click profiles



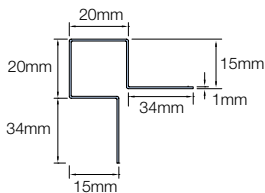
## VERTICAL START PROFILE & ABOVE WINDOW

Used to start a vertical cladding run. Installed absolutely level to ensure installation of Cedral remains perfectly vertical. Supplied in a mill finish.



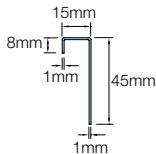
## INTERNAL CORNER

To finish internal corners.



## EXTERNAL CORNER/ WINDOW REVEAL

Can be used as an external corner or where detailing on a window reveal.

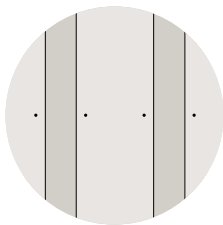


## CONNECTION PROFILE

End trim to finish Cedral Click when used as a single piece on a window reveal or soffit.

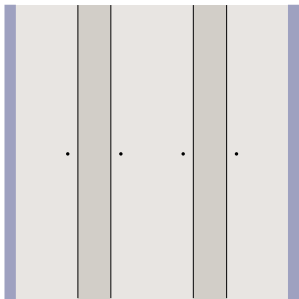


# Undulating lay pattern

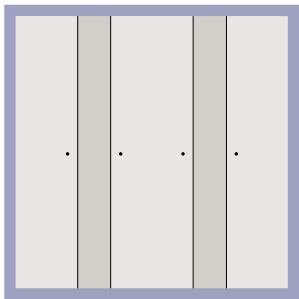


## PROFILES

(Cedral Lap only, EDPM must be used on the front face of all horizontal trapezoidal battens)



Fix vertical symmetric external corner profiles, asymmetric corner profiles, internal corner profiles or end profiles depending on the application.



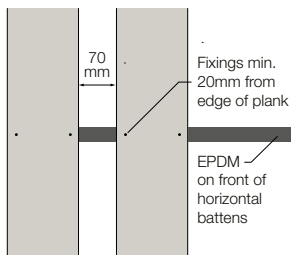
Fix end profiles horizontally at the top and bottom of each run of planks. Drill weep holes to allow for drainage.

Install perforated closures to the top and bottom of battens.

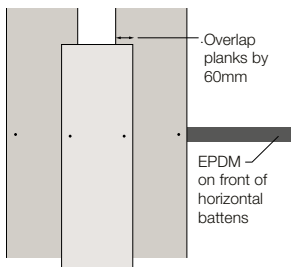
Please note profiles must be fixed before any Cedral planks are laid.

## FIXING METHOD

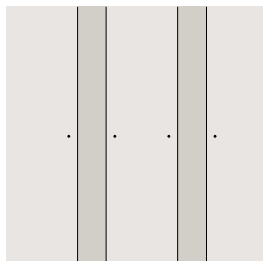
Begin by placing all rear planks and spacing with a 70mm gap between each plank. Fix into place twice onto every batten every 600mm a minimum of 20mm from the edge of the plank.



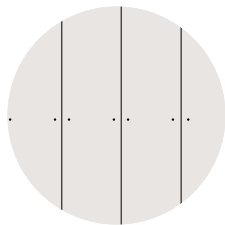
Place front planks over the rear plank ensuring the overlap is a minimum of 60mm.



Screw through the face of the front planks penetrating both planks and screwing into the timber. Fixings must be 20mm minimum from the edge of the plank and again all planks must be fixed twice to every batten.

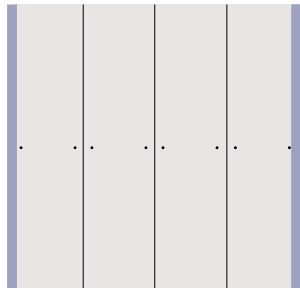


# Flat lay pattern

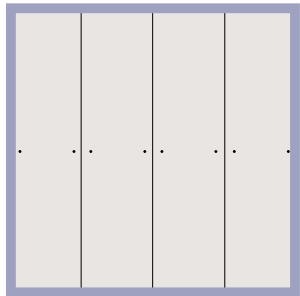


## PROFILES

(Cedral Lap only, EDPM must be used on the front face of all horizontal trapezoidal and vertical battens).



Fix vertical connection profiles, click external corner profiles or lap external corner profiles.



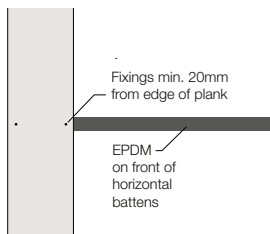
Fix end profiles to the top and bottom of each section of planks. Drill weep holes to allow for drainage.

Install perforated closures to the top and bottom of battens.

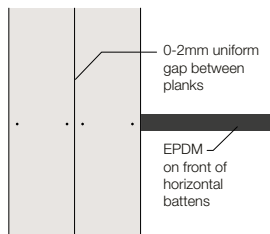
Please note profiles must be fixed before any Cedral planks are laid.

## FIXING METHOD

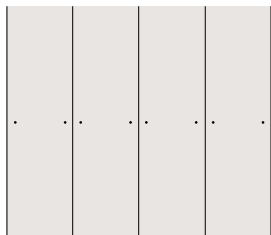
Place the first plank then screw into place. Ensure fixings are a minimum of 20mm from the edge of the plank and the plank is fixed twice onto every batten.



Loosely butt joint the next plank or leave a uniform gap of between 0 and 2mm between planks. Screw into place in the same way.

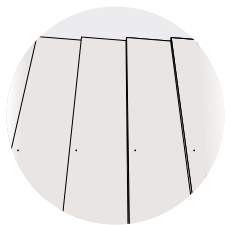


Continue to place planks and fix into place.



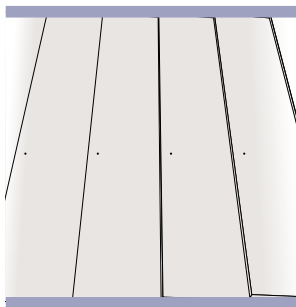
Please note profiles must be fixed before any Cedral planks are laid.

# Lapped lay pattern

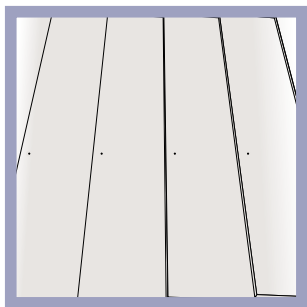


## PROFILES

(Cedral Lap only, EDPM must be used on the front face of all horizontal trapezoidal battens)



Install horizontal end profiles at the top and bottom of each section of cedral planks. Drill weep holes to allow for drainage.

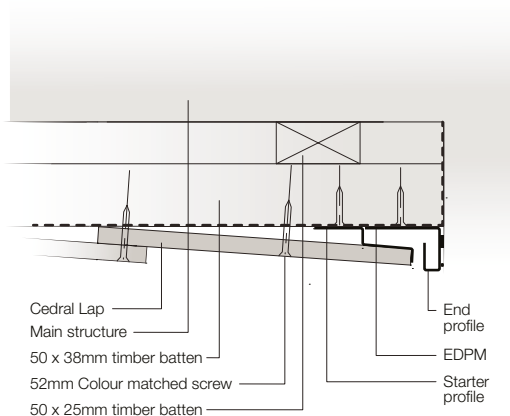


Fix vertical symmetric external corner profiles, asymmetric corner profiles, internal corner profiles or end profiles depending on the application.

Fix starter profiles where required to kick the first board of each run out to make it uniform with the rest.

## FIXING METHOD

Place the first plank onto the start profile, timber fillet or tilt to give a 10mm “kick out”, then screw into place ensuring fixings are 20mm from the top edge of the plank.

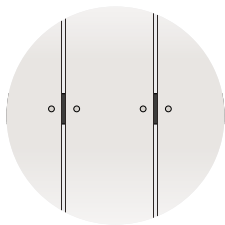


Place secondary fixings through the tail of the plank at 50mm from the edge and fixings are every 600mm (these will remain visible).

Overlap 30mm with the next plank then screw into place through both the head and the overlap to reduce water ingress.

Continue lapping and fixing planks into place until complete.

# Open joint fixing



Planks are laid next to each other, with a 3-12mm open gap between each.

The maximum allowed height for Cedral Lap vertical with gap lay pattern is 10m.

Note that this system of vertical open-jointed rainscreen allows more water to enter the cavity space.

The watertightness of the structure behind the planks must be robust enough to prevent water causing damage to the structure.

Protection can be provided by a breathable, water tight membrane installed directly behind the vertical timber battens. Ensure the insulation used is suitable for this type of open-jointed facade.

## VENTILATION AND DRAINAGE

Although open gaps will have a positive influence on the ventilation, the stack-effect is relied on to achieve necessary ventilation levels.

Because of the open gaps, a significant amount of rainwater will enter the cavity and openings at the bottom of the cavity are needed to evacuate the infiltrated water.

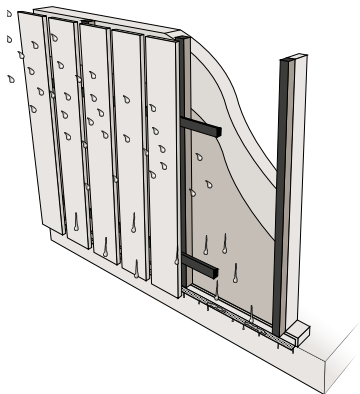
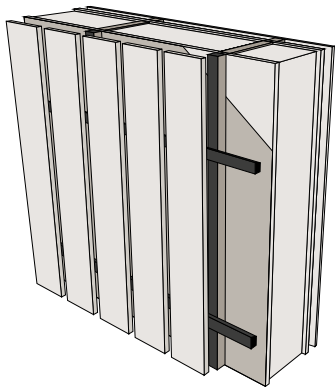
### Cavity width

The minimum cavity width air space should be 50mm directly behind the panel. Allow for a tolerance of 20mm when designing a cavity.

### Insulation

Insulation should be protected with a UV-stable breather membrane, preferably black in colour.

The flexible rainproof, breathable membrane should meet EN 13859-2 and have increased UV stability in case of (partial) direct exposure behind open gaps.

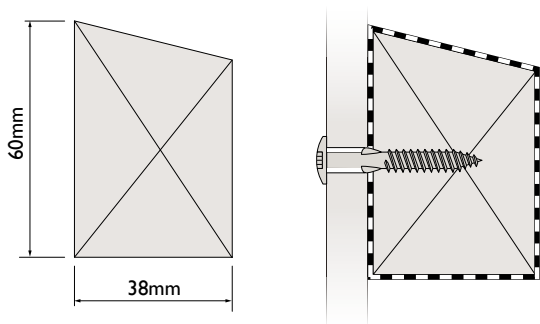




## BATTEN SIZES

Battens must be a minimum size of 38 x 60mm. Although a minimum width of 60 mm is recommended, a larger batten width would allow tolerance for adjustment.

All horizontal battens should be protected on the front face and top edge by a UV resistant joint sealing strip or EPDM.



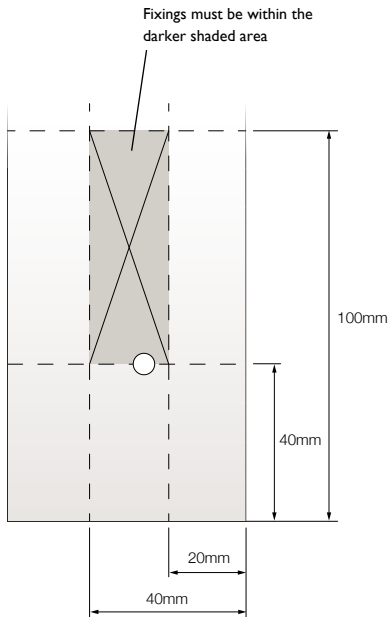
## FIXING CENTRES AND EDGE DISTANCE

As for other laying options, Cedral Lap planks for gap fixing are visibly fixed with Cedral Board colour matched screws or coil nails. Coil nails can be either colour coded or blank.

Ensure fixings are a minimum of 20mm and a maximum of 40mm from the long edge of the plank.

Edge distance from the short edge should be between 40 and 100mm.

The centres for the rest of the fixings are determined by the designer's wind load calculations.



## FIXING OPTIONS

Planks are fixed twice centred to each horizontal batten with Cedral colour matched screws (see page 84).

The screw head should lie flat on the surface.

Alternatively, Cedral can be fixed with stainless steel ribbed coil nails (see page 16), with the following dimensions:

Ø2.5-2.8 x 45-50mm, screw head ±6-7mm. When using coil nails, the plank must be fixed twice to every batten.



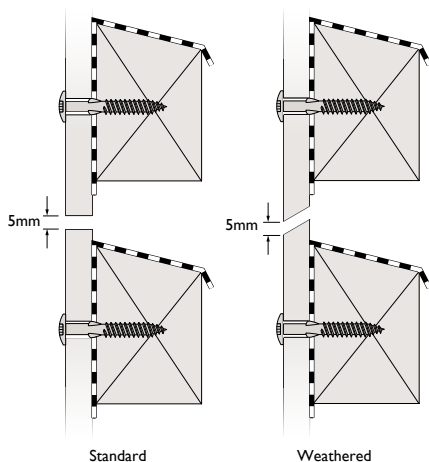
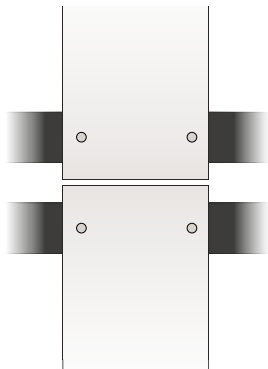
Fixed twice using Cedral colour matched screws or stainless steel ribbed coil nails

## FIXINGS AT BUTT JOINTS

Normally, in the gap laying pattern, Cedral Lap is installed with a 5mm gap between butt jointed planks. Both panel ends should be fixed on an underlying batten at a 40mm distance from the butt end edge.

This can be achieved by fixing two additional horizontal battens, one behind each panel end.

Alternatively, one larger batten can be used, instead of 2 separate battens.



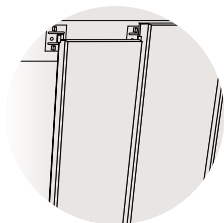
Standard

Weathered

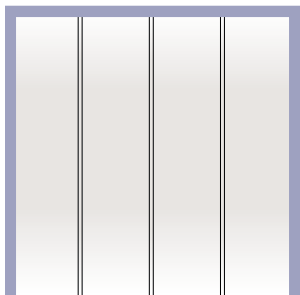
## TYPES OF BUTT JOINTS

A butt joint should be 5mm. The shape of the butt joint is influenced by the driving rain index. Both standard open joints and weathered joint (with angled board edges) are possible.

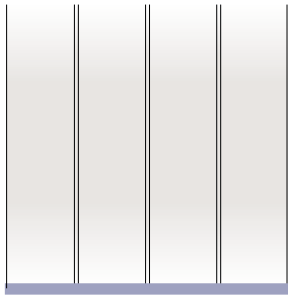
# If using the Cedral Click system



EDPM must be used on the front face of all horizontal trapezoidal battens.

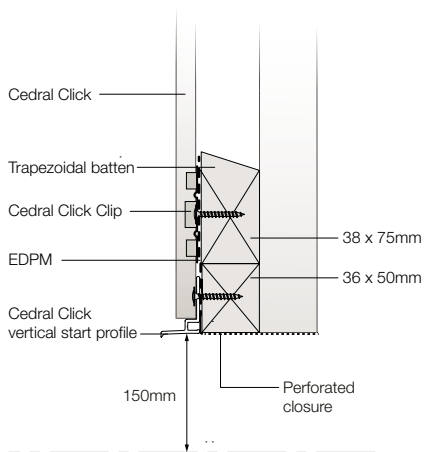


Install external corner, connection and/or internal corner profiles depending on the application.

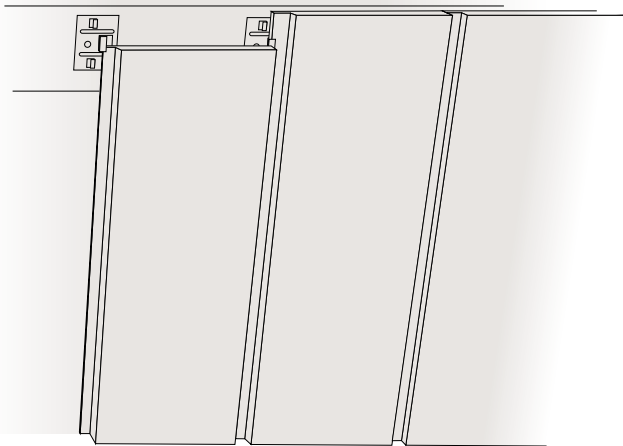


Fix vertical start profile below all Cedral Click planks to support the system. Vertical start profiles are required at every 3.6m for every row of new planks.

Slot the first plank into the starter profile.



Rest the bottom of the planks on the vertical start profile. Please note the bottom batten must be trimmed to allow this to fit correctly as per the diagram above. This must also be repeated between joints.



Screw Click Clips onto every batten to fix the edge of the plank into place.

Slot the next plank into the clips that were just fixed. Rest on the vertical start profile and place clips onto this new plank and fix into place. Continue until complete.

On installing the final plank, the fixings will be visible. Cedral Click colour coordinated screws are recommended.

# Soffits and fascias

A photograph of a building's exterior. The upper part shows a white soffit and fascia above a window with blue shutters. Below the window is a roof with reddish-brown tiles. The building's main wall is made of light-colored bricks. The sky is blue with some clouds.

81 Introduction

82 Fixing method



# Introduction

## CEDRAL BOARD

Cedral Board is an impact resistant, durable and flat board, ideal for soffits and fascias. Cedral Board is available in 9 colours and in the following sizes:

- 2500mm x 200mm x 9mm
- 2500mm x 400mm x 9mm
- 2500mm x 300mm x 9mm

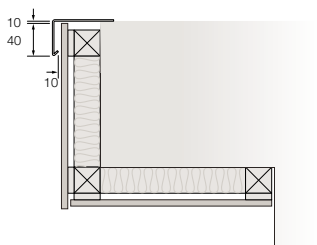
It can be used for soffits and fascias if attached to aligned supporting battens.

Ventilation is assured by using:

- 1 Vertical supporting battens.
- 2 Horizontal supporting battens combined with ventilation blocks or ventilation battens.

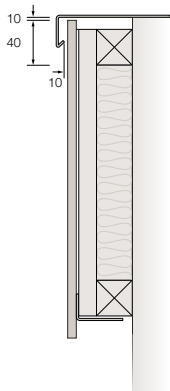
### EXAMPLE 1

Soffit and fascia at typical gable end attached with screws on ventilation blocks.



### EXAMPLE 2

Attachment on vertical supporting battens. The vertical battens must be thick enough to withstand wind pressure.



# Fixing method

Cedral Board fascias and soffits can be screw fixed. As a general rule, the following maximum distances between the fixing accessories must be maintained.

MAXIMUM FIXING DISTANCE (SCREWED)		
	Land 0-20m	Coast 0-20m
<b>MULTIPLE SPAN</b>		
Edge area facade soffit	400mm	400mm
Bottom of soffit	400mm	400mm
<b>SINGLE SPAN</b>		
Edge area facade soffit	400mm	400mm
Bottom of soffit	400mm	400mm

## VISIBLE FIXING USING SCREWS

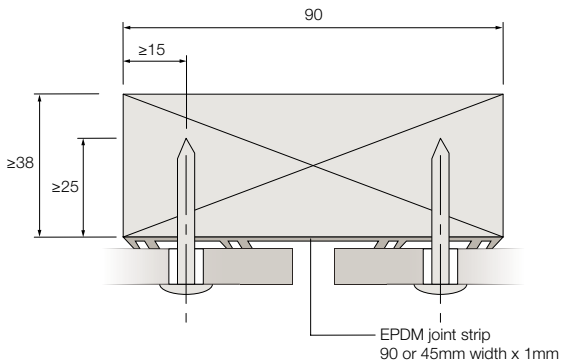
Cedral Boards can be fixed by means of a stainless steel (quality A2, AISI 304) panel screw with coloured TORX T20 recessed head to the wooden supporting battens.

Screws are inserted using an electric drill with a high quality bit suitable for the type of screw head.

Screws must be inserted perpendicular to the panel surface, and may not be over-tightened so that the free expansion of the panel is not impeded.

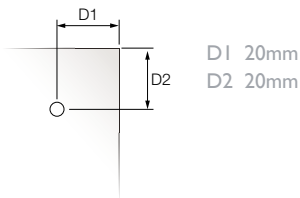
This is achieved by limiting the moment setting of the drill

- 1 Minimum screw depth in supporting battens: 25 mm
- 2 Minimum distance from screw edge in supporting battens: 15 mm



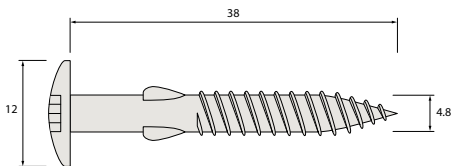
## EDGE DISTANCES

The following minimum and maximum distances from the edges of the fastening accessories must be respected. Drilling the holes can be done using a template.



## COLOUR CODED SCREW TYPE

The Cedral screw should be used. The screw is provided with a very sharp point and wings on the shaft so the pre-drilling of the panel is not needed.



## JOINT FINISHING

The Cedral Board panels are fixed with open joints to allow the free movement of the panel.

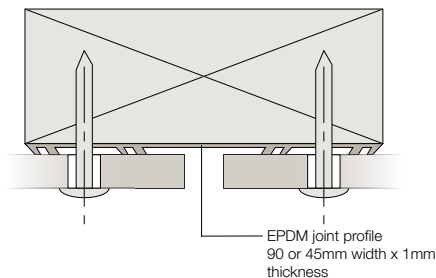
Soffits joint width: 3 mm

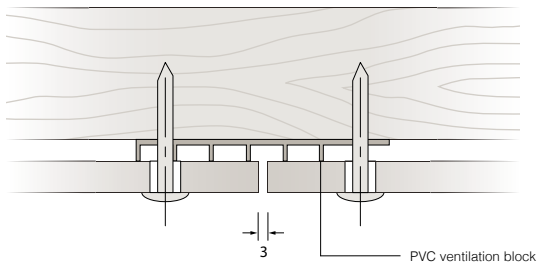
Waterproofing of the joint and ventilation behind the board is realised with a UV-resistant PVC ventilation block or EPDM strip.

### EPDM

Joint profile dimensions: 90mm x 50m 4048581, 90mm x 10m 4035376,  
45mm x 100m 4048582, 45mm x 10m 4035377.

Flat joint strip 4023320





## ACCESSORIES

The following accessories can be obtained from Cedral stockists.

- Ventilation block for ventilation: black pvc 60mm x 60mm x 3m
- Cedral Click connection profile and external corner
- Perforated closure when used with vertical batten
- Cedral screws: coated stainless steel 4.8 x 38 K 12 mm
- EPDM joint profile (90 and 45mm widths)

## OTHER CONSTRUCTION DETAILS

Movements in the metal sections (corner sections, bottom section, etc.) must always be isolated from the panels.

If necessary, aluminium sections must be pre-drilled, and fixed according to the principle of 'fixed and free' fastening points.

Joints between the metal sections must coincide with joints between the panels.

Finishing sections in metals that can leach (such as zinc, copper, lead, etc.) are not recommended because of possible staining.



## Preventing efflorescence

Efflorescence or 'lime bloom' is an occasional phenomenon that affects all cement-based products. It is temporary and is in no way detrimental to the performance of the product. Water dissolves salts within the product, this salt solution migrates to the substrate's surface, and a salt deposit remains after the water evaporates. Efflorescence is not normally due to faulty materials.

Cement contains an amount of free lime. When water is added, a series of chemical reactions commence which result in the setting and hardening of the cement, which is accompanied by the release of more lime in the form of Calcium Hydroxide. This salt is sparingly soluble in water and the supersaturated solution deposits crystals on the surface of Cedral.

The prime cause for the onset of efflorescence is the retention of water between the Cedral planks whilst retained in the pack or its installation in very wet conditions. It is recommended that Cedral is stored under cover and clear of the ground prior to being used on site. The polythene wrapper should not be relied on for protection in the open. Care should be taken to prevent excessive moisture running down the rear face of the Cedral during installation. A ventilated cavity behind Cedral will help prevent moisture becoming trapped.



The duration of efflorescence is dependent on the quality and type of deposit and upon prevailing conditions. Water, the element that is initially responsible for its appearance, is also largely responsible for its disappearance.

Rainwater being slightly acidic not only dissolves the deposit, but also mechanically removes it by movement down Cedral. Although it is impossible to state categorically how long efflorescence will take to be removed by wind and rain; a period of suitably bad weather is usually sufficient to restore Cedral to an even appearance.

Washing with warm water and a soft brush can accelerate its removal, however care should be taken to avoid damaging the painted surface. More stubborn deposits can be removed with 9.5% acetic acid. Allow to react for a few minutes but do not allow to dry out, then wash with plenty of cold water. Repeat procedure if required. Try on a small area first to avoid damage.

For CAD details and technical support, contact:  
Technical Advisory Service at [techuk@etexgroup.com](mailto:techuk@etexgroup.com).  
Tel: 01283 501505 Website: [www.cedral.co.uk](http://www.cedral.co.uk)

This publication is based on the latest data available at the time of printing. Due to product changes, improvements and other factors, the Company reserves the right to change or withdraw information contained herein without prior notice. For specific applications users should refer to the Technical Advisory Service and relevant Standards and Codes of Practice for guidance.

The photography shown in the document should not necessarily be taken as recommendations of good practice. The printing process restricts the exact representation of colours. For true colour reference, please request product samples.

# CEDRAL



The world of Facades



more at [cedral.world](https://cedral.world)

Tel 01283 501555 Email [infouk@etexgroup.com](mailto:infouk@etexgroup.com)

Etex (Exteriors) UK, Wellington Road,  
Burton-upon-Trent, Staffordshire DE14 2AP

August 2020

**etex** inspiring ways  
of living