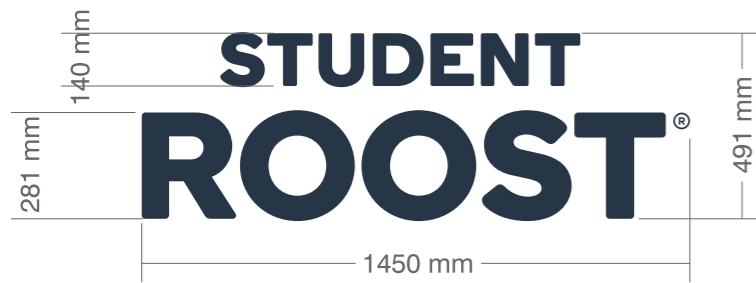


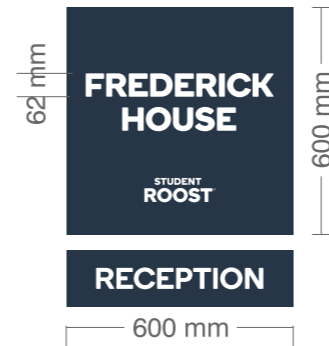
SIGN 1 - East Elevation



1.4 metres to base of sign

SIGN 4: East & West Elevation:
 Folded aluminium panels having 40mm deep returns, powder coated Blue to RAL 5008 with applied white vinyl to face. Panels secured over aluminium angle support/fixing rails.

1.18 metres to base of sign



SPECIFICATION - SIGNS 1, 2 & 3:

Individual built up aluminium letters having flat faces with 50mm deep returns. Letters powder coated blue to RAL 5008 and fitted at rear with suitable non-ferrous metal brackets 5mm spacer tube.

SIGN 2 - East Elevation



3.125 metres to base of sign

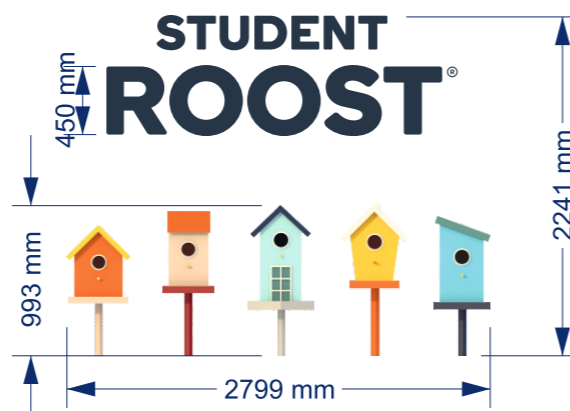
SIGN 3 - West Elevation



3.61 metres to base of sign

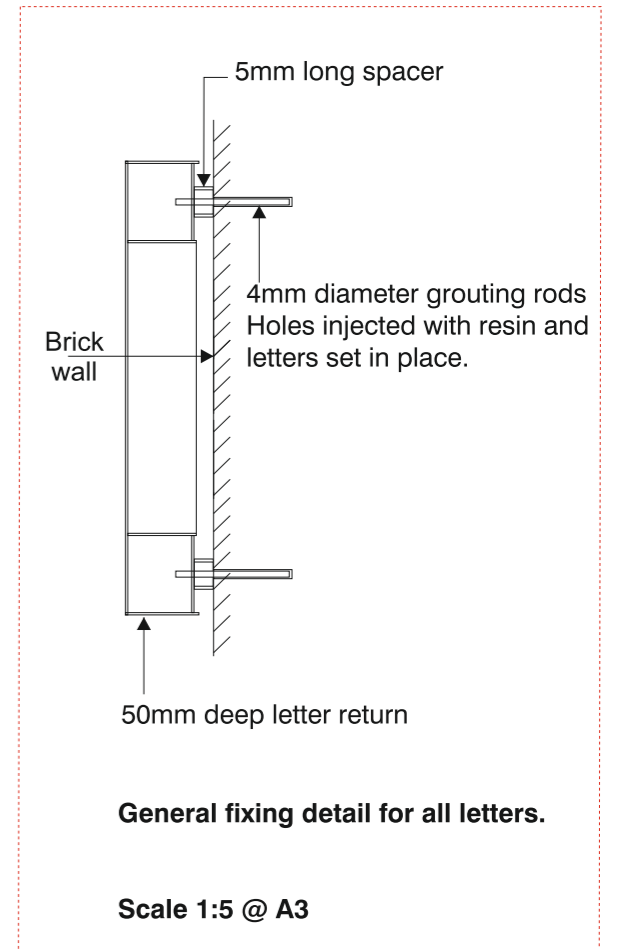
SIGN 5:

1 No. Sign comprising of individual built up aluminium letters and built up aluminium 'bird boxes' all having flat faces with 50mm deep returns. 'Birdboxes' powder coated white, having applied digitally printed vinyl display to face. Letters powder coated dark blue to RAL 5008. All components fitted at rear with suitable non-ferrous metal brackets and 5mm spacer tube.



3.74 metres to base of sign

Scale 1:50 @ A3



Scale 1:20 @ A3 (Except where indicated)

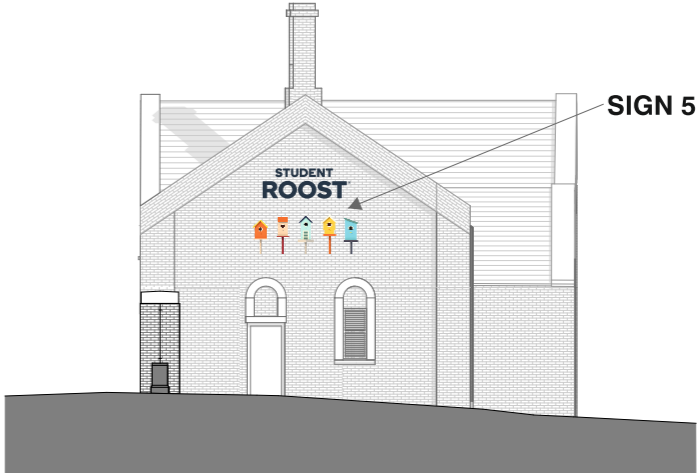
client	site address	project manager	job no.	This drawing and all designs remain the property of Zenith Signs Limited. Any elements used without permission will incur a design fee. All visuals are used for illustrative purposes and are intended for general indication only. T & Cs apply. t: 07494 683486 e: simon@zenithsigns.com w: zenithsigns.com
Student Roost	Frederick House Fulford Road York YO10 4EA	Simon Belton	TBA	
project	date	drawing no.		
External Signage	04-05-2021	SB/SK01/REV'D/01-10-2021		



Frederick House, York



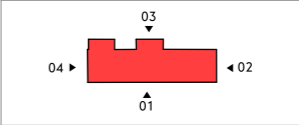
West Elevation-FulfordRoad



Proposed South Elevation_02



East (Courtyard Elevation)



Scale 1:200@A3

client	Student Roost
project	External Signage

site address	Frederick House Fulford Road York YO10 4EA
---------------------	---

project manager	Simon Belton
date	04-05-2021

job no.	TBA
drawing no.	SB/SK01/REV'D/01-10-2021

This drawing and all designs remain the property of Zenith Signs Limited. Any elements used without permission will incur a design fee. All visuals are used for illustrative purposes and are intended for general indication only. T & Cs apply.

t: 07494 683486
e: simon@zenithsigns.com
w: zenithsigns.com

