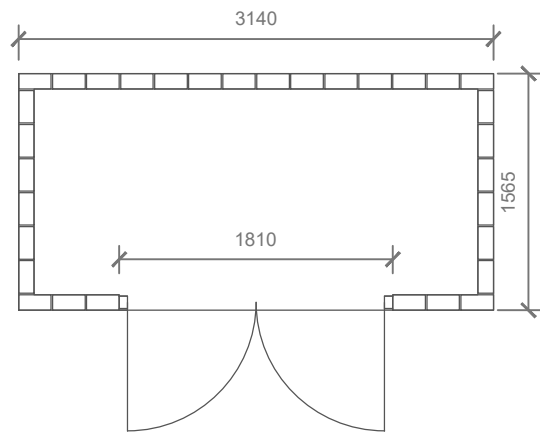


PROPOSED GAS METER ENCLOSURE SOUTH ELEVATION
1:50@A3

PROPOSED GAS METER ENCLOSURE EAST ELEVATION
1:50@A3



PROPOSED GAS METER ENCLOSURE PLAN
1:50@A3



DRAFT

A	12.07.21	Issued for planning
REV	DATE	NOTE

- preliminary comment construction
- planning tender record

Drawn	Checked	
CP	AWB	

CLIENT NAME: RABY ESTATES
 PROJECT NO.: AWB118
 PROJECT NAME: RABY CASTLE
 DWG NO.: AWB118 G 100
 DWG NAME: PROPOSED GAS METER ENCLOSURE

ORIGINAL DRAWING DATE: 22.06.2021
 SCALE: VARY@A3
 REVISION:

Do not scale from drawing