

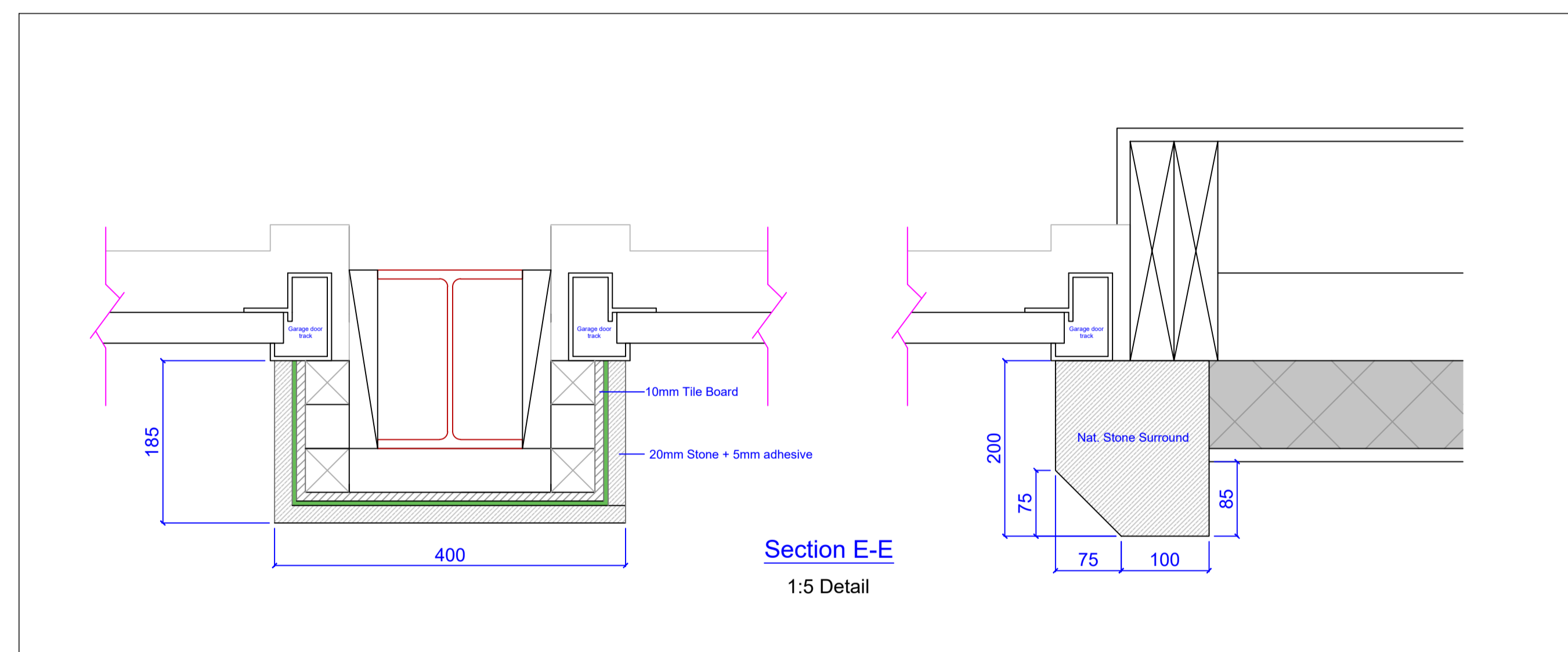
Section C-C  
1:10 Detail

Timber Soffit Detail (D.5)  
Black Aluminum Louver Detail

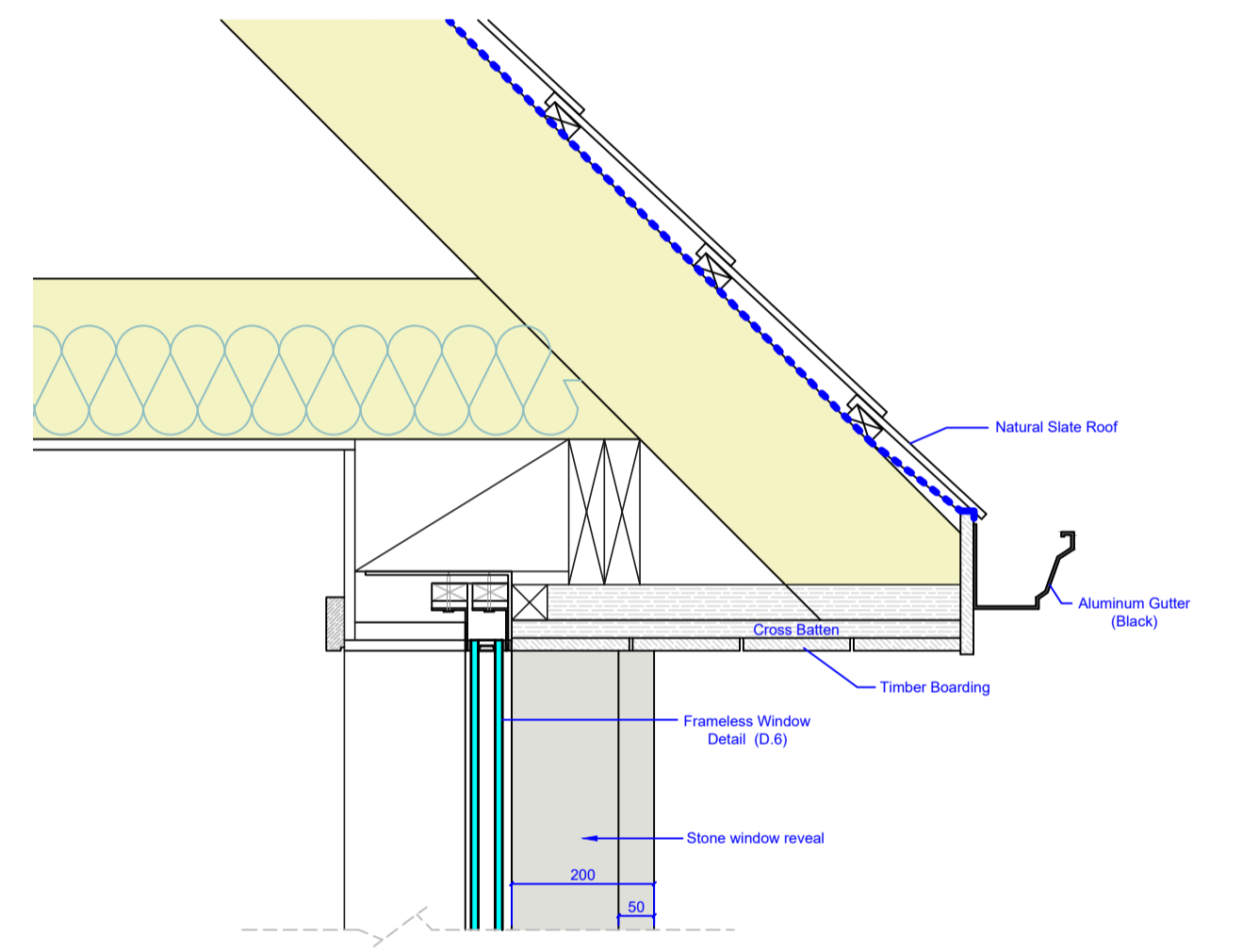


Front - South Elevation

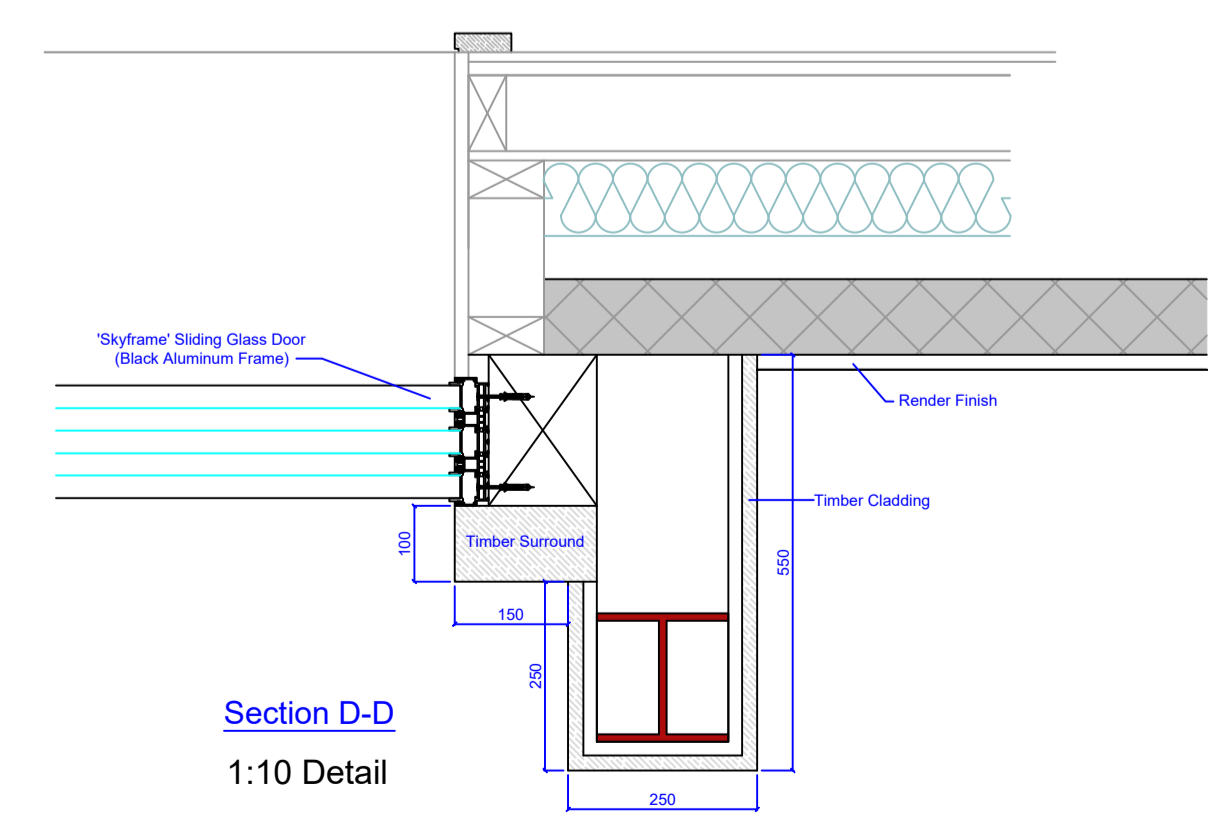
1: 100 Elevation



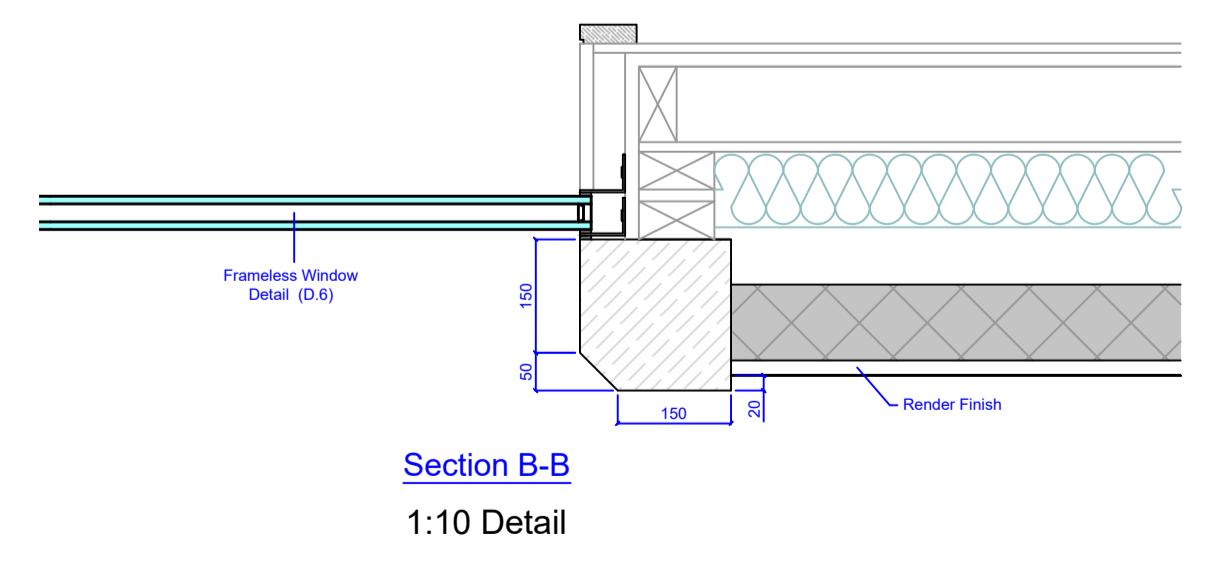
Section E-E  
1:5 Detail



Section A-A  
1:10 Detail



Section D-D  
1:10 Detail



Section B-B  
1:10 Detail

Job Somerville - Hargate Drive - Hale WA15 ONL	Scale @ A1	Drawing No. <b>1166:11</b>
Drawing Title Façade Design Analysis (1of2)		