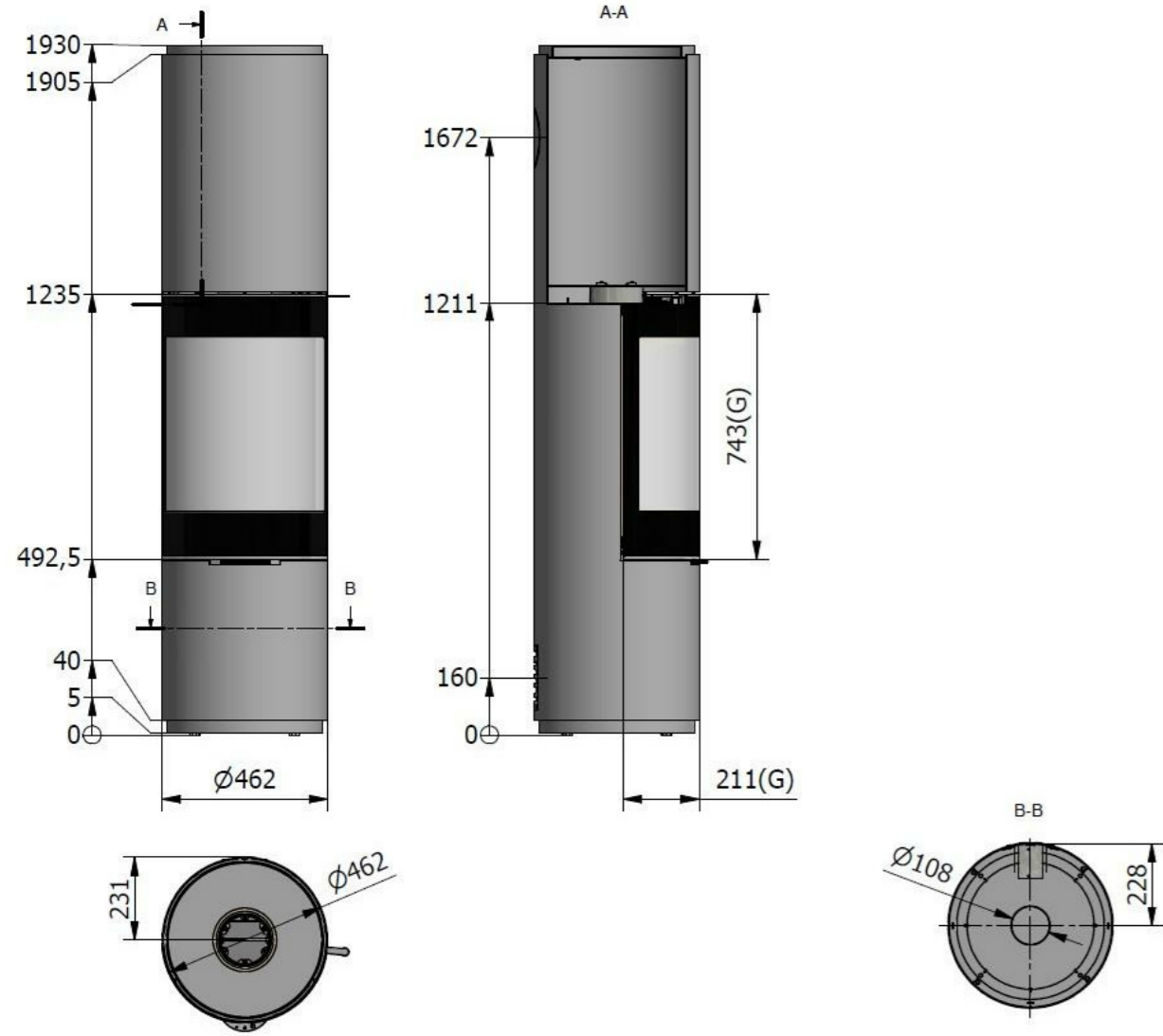


WOOD BURNER/ STOVE  
 PROPRIETARY ITEM PURCHASE THROUGH OPULENCE STOVES



Data Sheet  
 ECO LABEL



Rais A/S - Attika

Model Ref. no.: 16

Pilar - Manual / Pilar - Clever Air  
 Pilar Classic - Manual / Pilar Classic - Clever Air  
 Pilar - Manual B/O / Pilar - Clever Air B/O  
 Pilar Classic - Manual B/O / Pilar Classic - Clever Air B/O  
 Pilar - ElectronicAIR™ / Pilar Classic - ElectronicAIR™  
 Pilar - ElectronicAIR™ B/O / Pilar Classic - ElectronicAIR™ B/O

Energy efficiency class:



Nominal heat output in kW:  
 4,5

Output to water tank:  
 N/A

Energy Efficiency Index (EEI):  
 108

Efficiency at nominal output:  
 81

Special installation precautions:  
 See manual

2019-06-13

FLUE  
 PROPRIETARY ITEM PURCHASE THROUGH OPULENCE STOVES



### ICID Plus Vent Pipe - 150 x 1000mm Black

Twin wall insulated flue system specifically designed to operate continuously with temperatures up to 450°C. Certified for corrosion resistance on gas, oil, wood and solid fuel, 4 Hour Fire Rating to BS 476-20 and 'soot fire' resistant. Twist-lock bayonet jointing system, secured by a locking band. Inner casing is constructed from laser welded 316L stainless steel, outer stainless steel 304 (painted black where stated) casing is load bearing. Inner liner is free to expand independently to accommodate temperature changes. Inner liner has an inward bead at the female end which acts as a capillary break preventing moisture being drawn through the joint. 25 mm of high density Rockwool insulation maintains flue gas temperature, maximising efficiency, improving flue draught on start up, minimises condensation and provides a low external case temperature. CE Certified to BS EN1856-1. HETAS listed. Manufactured by a BS EN ISO 9001:2008 registered company.

Supplied with one locking band.

Nominal I.d.: 150 mm  
 Approx. o.d.: 200 mm

### Product Specification

Brand	Schiedel
Standards	Fire Rating to BS 476-20, CE Certified to BS EN1856-1. HETAS listed.
Colour	Black
For Use With	Gas, Oil, Wood & Solid Fuel
Hetas Listed	Yes
Length	1000 mm
Material	316L Stainless Steel
Operating Temperature	450°C
Size	150 mm
Sub Brand	ICID Plus
Type	Vent Pipe
Wall Type	Twin wall

FLUE VENT CAP  
 PROPRIETARY ITEM PURCHASE THROUGH OPULENCE STOVES



### ICID Plus Vent Raincap without Mesh - 150mm

Black, insulated.

Twin wall insulated flue system specifically designed to operate continuously with temperatures up to 450°C. Certified for corrosion resistance on gas, oil, wood and solid fuel, 4 Hour Fire Rating to BS 476-20 and 'soot fire' resistant. Twist-lock bayonet jointing system, secured by a locking band. Inner casing is constructed from laser welded 316L stainless steel, outer stainless steel 304 (painted black where stated) casing is load bearing. Inner liner is free to expand independently to accommodate temperature changes. Inner liner has an inward bead at the female end which acts as a capillary break preventing moisture being drawn through the joint. 25 mm of high density Rockwool insulation maintains flue gas temperature, maximising efficiency, improving flue draught on start up, minimises condensation and provides a low external case temperature.

### Product Specification

Brand	Schiedel
Standards	Fire Rating to BS 476-20, CE Certified to BS EN1856-1. HETAS listed.
Colour	Black
For Use With	Gas, Oil, Wood & Solid Fuel
Hetas Listed	Yes
Operating Temperature	450°C
Size	150 mm
Sub Brand	ICID Plus
Type	Raincap
Wall Type	Twin wall

A 07.09.21 PLANNING CONDITIONS ISSUE

ISSUE/DATE  
 THESE DRAWINGS, PLANS AND SPECIFICATION ARE THE COPYRIGHT AND PROPERTY OF MAUDE + EDWARDS ARCHITECTS AND MUST NOT BE USED, REPRODUCED OR COPIED WHOLLY OR IN PART WITHOUT THE WRITTEN PERMISSION OF MAUDE + EDWARDS ARCHITECTS. ALL RIGHTS RESERVED.

VAN DIJK

CLIENT

GRANGE FARM

PROJECT

POTASH LANE, IP14 4SL

SITE ADDRESS

FIREPLACE / FLUE DETAILS

DRAWING TITLE

PLANNING (PL)

PROJECT STAGE

maude+edwards  
 architects

SCALE: As indicated @A2

2017.PL 903

DRAWN BY: BE